

H8-18XD SERIES

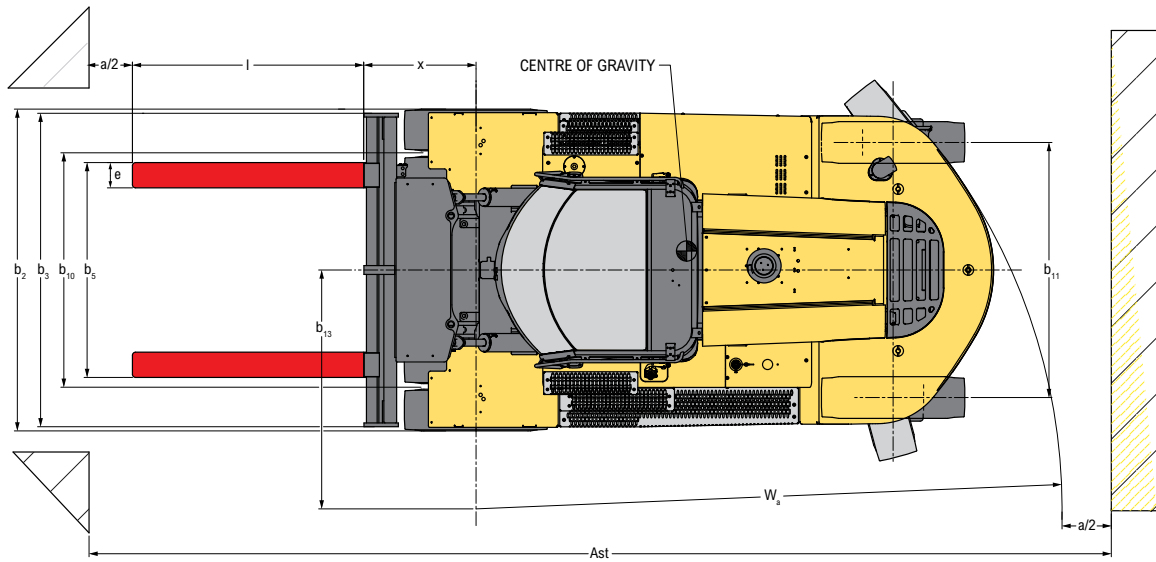
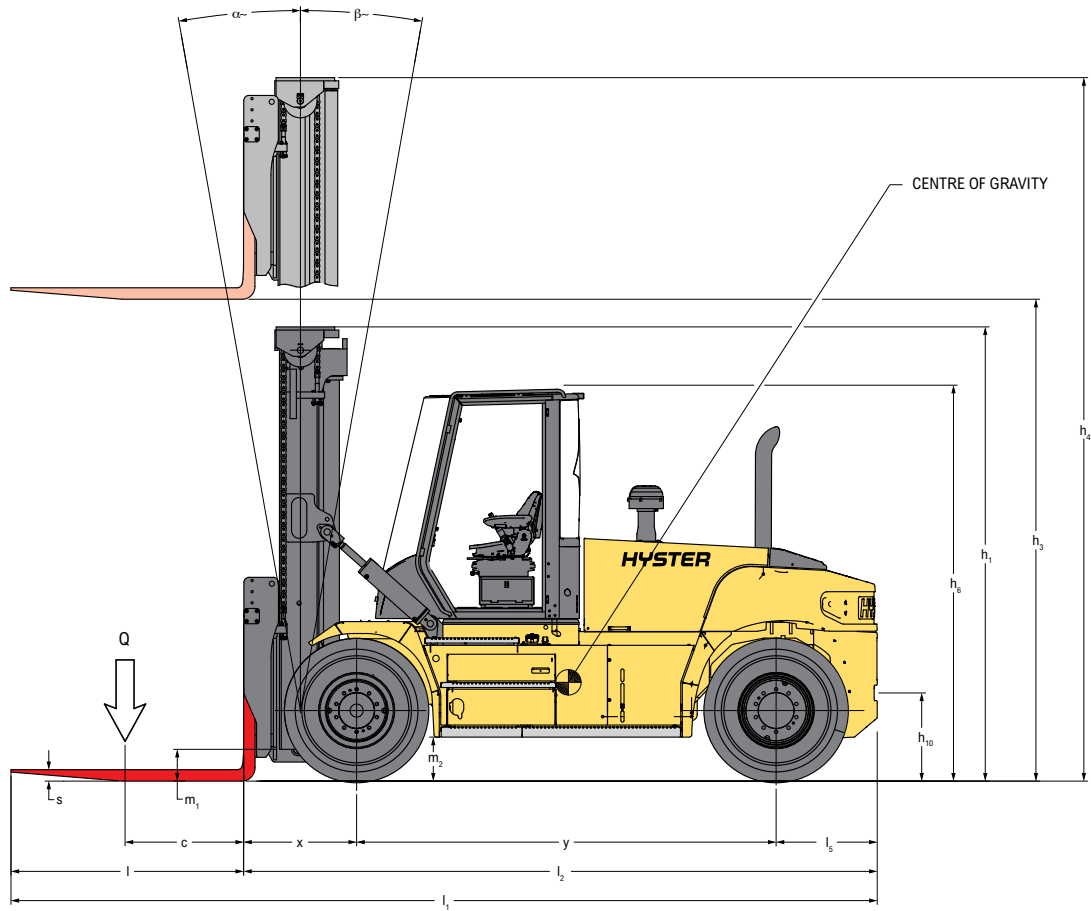



HEAVY DUTY FORKLIFT
PRODUCT TECHNICAL GUIDE



WWW.HYSTER.COM

TRUCK DIMENSIONS



 = Centre of gravity of unladen truck

$$A_{ST} = W_a + x + l_6 + a \text{ (if } b_{12}/2 < b_{13} \text{)}$$

$$A_{ST} = W_a + ((l_6+x)^2 + (b_{12}/2-b_{13})^{2.0})^{0.5} + a \text{ (if } b_{12}/2 > b_{13} \text{ and } W_a > b_{13} \cdot b_{12}/2 \text{)}$$

$$A_{ST} = b_{13} + b_{12}/2 ((l_6+x)^2 + (b_{12}/2-b_{13})^{2.0})^{0.5} + a \text{ (if } b_{12}/2 > b_{13} \text{ and } W_a < b_{13} \cdot b_{12}/2 \text{)}$$

a = Minimum operating clearance = 10% of A_{ST}
(VDI standard = 200 mm BITA recommendation = 300 mm)

l_6 = load length

b_{12} = load width

H8XD6 / H9XD6 / H10XDS6 / H9XDL6 / H10XD6 SPECIFICATIONS

			HYSTER						
			H8XD6	H9XD6	H10XDS6	H9XDL6	H10XD6		
GENERAL	1.1	Manufacturer	HYSTER						
	1.2	Model designation	H8XD6	H9XD6	H10XDS6	H9XDL6	H10XD6		
	1.3	Powertrain / drivetrain	Diesel						
	1.4	Operator type	Seat						
	1.5	Rated capacity / rated load	Q	kg	8,500	9,500	10,500	9,500	10,500
	1.6	Load centre distance	c	mm	600				
	1.8	Load distance	x	mm	809				
	1.9	Wheelbase	y	mm	2,700			2,900	
	WEIGHT	2.1	Service weight (1)		kg	13,270	13,804	14,883	13,535
2.2		Axle loading, laden front / rear		kg	20,060 / 1,710	21,479 / 1,825	23,351 / 2,032	21,304 / 1,731	23,155 / 1,815
2.3		Axle loading, unladen front / rear		kg	7,124 / 6,146	7,022 / 6,782	7,372 / 7,511	7,188 / 6,347	7,553 / 6,917
WHEELS	3.1	Tyres, front / rear	Pneumatic						
	3.2	Tyres size, front	10.00-20 16PR						
	3.3	Tyres size, rear	10.00-20 16PR						
	3.5	Wheels, number front / rear (x = driven wheels)	4X / 2						
	3.6	Track width, front	b ₁₀	mm	1,842				
	3.7	Track width, rear	b ₁₁	mm	2,020				
DIMENSIONS	4.1	Mast tilt : forward / backwards	α/β	deg	15° / 12°				
	4.2	Height of mast lowered (unloaded)	h ₁	mm	3,885		4,135	3,885	4,135
	4.4	Lift height (bottom of forks)	h ₃	mm	4,925				
	4.5	Height of mast extended (unloaded)	h ₄	mm	6,347		6,597	6,347	6,597
	4.7	Height of overhead guard (open cab)	h ₆	mm	3,055				
	4.7.1	Height of overhead guard (closed cab)	h ₆	mm	3,082				
	4.7.2	Height of overhead guard (closed cab w/ airco)	h ₆	mm	3,082				
	4.7.3	Height of overhead guard (closed cab w/ strobe light)	h ₆	mm	3,177				
	4.7.4	Height of overhead guard (closed cab w/ work lights)	h ₆	mm	3,231				
	4.7.5	Height of overhead guard (closed cab w/ airco & strobe light)	h ₆	mm	3,207				
	4.8	Seat height (Seat Index Point, ISO 5353)	h ₇	mm	1,875				
	4.12	Coupling height	h ₁₀	mm	661				
	4.17	Overhang	l ₅	mm	795				
	4.19	Overall length	l ₁	mm		5,524			5,724
	4.20	Length to face of forks	l ₂	mm		4,304			4,504
	4.21	Overall width truck	b ₂	mm	2,490				
	4.22	Fork dimensions	s/e/l	mm	75 / 200 / 1,220				
	4.23	Carriage type			75mm std pin type				
	4.24	Carriage width	b ₃	mm	2,396				
	4.25	Distance over fork arms, minimum / maximum	b ₅	mm	534 / 2256				
	4.31	Ground clearance, under mast (w/o load)	m ₁	mm	253				
	4.32	Ground clearance, centre of wheelbase	m ₂	mm	313				
	4.33	Load size	w x l	mm	1,200 x 1,200				
	4.33.1	Aisle width (a=10%)	Ast	mm		6,524			6,732
	4.33.2	Aisle width (a=0)	Ast	mm		5,931			6,120
	4.33.3	Aisle width (a=200)	Ast	mm		6,131			6,320
	4.34	Load size	w x l	mm	1,200 x 800				
4.34.1	Aisle width (a=10%)	Ast	mm		6,084			6,292	
4.34.1.2	Aisle width (a=0)	Ast	mm		5,531			5,720	
4.34.1.3	Aisle width (a=200)	Ast	mm		5,731			5,920	
4.35	Outside turning radius	W _a	mm		3,850			4,107	
4.36	Internal turning radius	b ₁₃	mm		1,370			1,538	
PERFORMANCE - TIER 3	5.1	Travel speed laden/unladen Tier 3 (2)		km/h	- / -		29.7 / 30.9		
	5.2	Lifting speed laden/unladen 90cc Tier 3		m/s	- / -		0.45 / 0.45	0.40 / 0.40	
	5.2.1	Lifting speed laden/unladen 111cc Tier 3		m/s	- / -		0.60 / 0.67	0.47 / 0.54	
	5.2.2	Lifting speed laden/unladen 126cc Tier 3		m/s	- / -		- / -		
	5.3	Lowering speed laden/unladen		m/s	- / -		0.54 / 0.48		
	5.5	Drawbar pull laden/unladen @ 1.6 km/hour Tier 3		kN	- / -		95 / 97		
	5.6	Drawbar pull laden/unladen @ stall Tier 3		kN	- / -		106 / 107	105 / 107	
	5.7	Gradeability laden/unladen @ 1.6 km/hour Tier 3		%	- / -		47 / 35	42 / 33	
5.8	Gradeability laden/unladen @ stall Tier 3		%	- / -		53 / 35	48 / 33		
PERFORMANCE - TIER 4	5.1.1	Travel speed laden/unladen Tier 4 (2)		km/h	29.7 / 30.9		29.5 / 30.8		
	5.2.3	Lifting speed laden/unladen 90cc Tier 4		m/s	0.45 / 0.45		0.40 / 0.40	0.45 / 0.45	0.40 / 0.40
	5.2.4	Lifting speed laden/unladen 111cc Tier 4		m/s	0.63 / 0.67		0.50 / 0.54	0.63 / 0.67	0.50 / 0.54
	5.2.5	Lifting speed laden/unladen 126cc Tier 4		m/s	- / -		- / -		
	5.3.1	Lowering speed laden/unladen		m/s	0.50 / 0.48		0.54 / 0.48		
	5.5.1	Drawbar pull laden/unladen @ 1.6 km/hour Tier 4		kN	101 / 102		100 / 102		100 / 102
	5.6.1	Drawbar pull laden/unladen @ stall Tier 4		kN	112 / 113		111 / 113		111 / 113
	5.7.1	Gradeability laden/unladen @ 1.6 km/hour Tier 4		%	52 / 34	49 / 32	44 / 31	44 / 34	45 / 33
5.8.1	Gradeability laden/unladen @ stall Tier 4		%	52 / 34	52 / 32	50 / 31	50 / 34	51 / 33	

(1) Truck models based on Stage-V engine and Standard pin-type carriage w/o fork positioning
(2) Travel speed laden/unladen limited at 25 km/h as factory default

H12XD6 / H13XDS6 / H14XDS6 / H13XD6 / H14XD6 SPECIFICATIONS

			HYSTER							
			H12XD6	H13XDS6	H14XDS6	H13XD6	H14XD6			
GENERAL	1.1	Manufacturer	HYSTER							
	1.2	Model designation	H12XD6	H13XDS6	H14XDS6	H13XD6	H14XD6			
	1.3	Powertrain / drivetrain	Diesel							
	1.4	Operator type	Seat							
	1.5	Rated capacity / rated load	Q	kg	12,500	13,500	14,500	13,500	14,500	
	1.6	Load centre distance	c	mm	600					
	1.8	Load distance	x	mm	809	889				
	1.9	Wheelbase	y	mm	2,900			3,300		
	WEIGHT	2.1	Service weight (1)		kg	15,882	18,629	19,328	17,806	18,483
2.2		Axle loading, laden front / rear		kg	26,034 / 2,348	29,316 / 2,813	30,712 / 3,116	28,892 / 2,414	30,249 / 2,734	
2.3		Axle loading, unladen front / rear		kg	7,460 / 8,421	8,884 / 9,745	8,767 / 10,561	9,300 / 8,505	9,206 / 9,277	
WHEELS	3.1	Tyres, front / rear	Pneumatic							
	3.2	Tyres size, front		10.00-20 16PR	12.00-20 20PR					
	3.3	Tyres size, rear		10.00-20 16PR	12.00-20 20PR					
	3.5	Wheels, number front / rear (x = driven wheels)	4X / 2							
	3.6	Track width, front	b ₁₀	mm	1,842					
	3.7	Track width, rear	b ₁₁	mm	2,020	2,018				
DIMENSIONS	4.1	Mast tilt : forward / backwards	α/β	deg	15° / 12°					
	4.2	Height of mast lowered (unloaded)	h ₁	mm	4,135	4,193				
	4.4	Lift height (bottom of forks)	h ₃	mm	4,925	4,910				
	4.5	Height of mast extended (unloaded)	h ₄	mm	6,597	6,648				
	4.7	Height of overhead guard (open cab)	h ₆	mm	3,055	3,083				
	4.7.1	Height of overhead guard (closed cab)	h ₆	mm	3,082	3,110				
	4.7.2	Height of overhead guard (closed cab w/ airco)	h ₆	mm	3,082	3,110				
	4.7.3	Height of overhead guard (closed cab w/ strobe light)	h ₆	mm	3,177	3,205				
	4.7.4	Height of overhead guard (closed cab w/ work lights)	h ₆	mm	3,231	3,259				
	4.7.5	Height of overhead guard (closed cab w/ airco & strobe light)	h ₆	mm	3,207	3,235				
	4.8	Seat height (Seat Index Point, ISO 5353)	h ₇	mm	1,875	1,903				
	4.12	Coupling height	h ₁₀	mm	661	689				
	4.17	Overhang	l ₅	mm	795	925		795		
	4.19	Overall length	l ₁	mm	5,724	6,544		6,814		
	4.20	Length to face of forks	l ₂	mm	4,504	4,714		4,984		
	4.21	Overall width truck	b ₂	mm	2,490	2,541				
	4.22	Fork dimensions	s/e/l	mm	75 / 200 / 1,220	90 / 200 / 1,830				
	4.23	Carriage type			75mm std pin type	90mm std pin type				
	4.24	Carriage width	b ₃	mm	2,396	2,496				
	4.25	Distance over fork arms, minimum / maximum	b ₅	mm	534 / 2,256	534 / 2,356				
	4.31	Ground clearance, under mast (w/o load)	m ₁	mm	253	245				
	4.32	Ground clearance, centre of wheelbase	m ₂	mm	313	341				
	4.33	Load size	w x l	mm	1,200 x 1,200					
	4.33.1	Aisle width (a=10%)	Ast	mm	6,732	7,112		7,399		
	4.33.2	Aisle width (a=0)	Ast	mm	6,120	6,465		6,726		
	4.33.3	Aisle width (a=200)	Ast	mm	6,320	6,665		6,926		
	4.34	Load size	w x l	mm	1,200 x 1,800					
	4.34.1	Aisle width (a=10%)	Ast	mm	6,292	6,672		6,959		
	4.34.1.2	Aisle width (a=0)	Ast	mm	5,720	6,065		6,326		
	4.34.1.3	Aisle width (a=200)	Ast	mm	5,920	6,265		6,526		
	4.35	Outside turning radius	W _a	mm	4,107	4,180		4,573		
	4.36	Internal turning radius	b ₁₃	mm	1,538	1,453		1,777		
PERFORMANCE - TIER 3	5.1	Travel speed laden/unladen Tier 3 (2)		km/h	29.7 / 30.9	27.4 / 29.0				
	5.2	Lifting speed laden/unladen 90cc Tier 3		m/s	0.40 / 0.40	- / -				
	5.2.1	Lifting speed laden/unladen 111cc Tier 3		m/s	0.47 / 0.54	0.36 / 0.40				
	5.2.2	Lifting speed laden/unladen 126cc Tier 3		m/s	- / -					
	5.3	Lowering speed laden/unladen		m/s	0.54 / 0.48					
	5.5	Drawbar pull laden/unladen @ 1.6 km/hour Tier 3		kN	95 / 97	99 / 102	99 / 101	99 / 102		
	5.6	Drawbar pull laden/unladen @ stall Tier 3		kN	105 / 107	111 / 114		112 / 114	111 / 114	
	5.7	Gradeability laden/unladen @ 1.6 km/hour Tier 3		%	36 / 32	33 / 31	31 / 29	34 / 35	32 / 33	
5.8	Gradeability laden/unladen @ stall Tier 3		%	41 / 32	38 / 31	36 / 29	39 / 35	37 / 33		
PERFORMANCE - TIER 4	5.1.1	Travel speed laden/unladen Tier 4 (2)		km/h	29.7 / 30.9	27.4 / 29.0				
	5.2.3	Lifting speed laden/unladen 90cc Tier 4		m/s	0.40 / 0.40	- / -				
	5.2.4	Lifting speed laden/unladen 111cc Tier 4		m/s	0.50 / 0.54	- / -				
	5.2.5	Lifting speed laden/unladen 126cc Tier 4		m/s	- / -	0.41 / 0.46				
	5.3.1	Lowering speed laden/unladen		m/s	0.54 / 0.48					
	5.5.1	Drawbar pull laden/unladen @ 1.6 km/hour Tier 4		kN	100 / 102	105 / 107	104 / 107	105 / 107	104 / 107	
	5.6.1	Drawbar pull laden/unladen @ stall Tier 4		kN	111 / 113	118 / 120	117 / 120	118 / 120	117 / 120	
	5.7.1	Gradeability laden/unladen @ 1.6 km/hour Tier 4		%	32 / 38	35 / 31	33 / 29	36 / 35	34 / 33	
5.8.1	Gradeability laden/unladen @ stall Tier 4		%	32 / 43	40 / 31	38 / 29	41 / 35	39 / 33		

(1) Truck models based on Stage-V engine and Standard pin-type carriage w/o fork positioning
(2) Travel speed laden/unladen limited at 25 km/h as factory default

H16XD6 / H10XD12 / H12XD12 / H14XD12 / H16XDS9 SPECIFICATIONS

			HYSTER						
			H16XD6	H10XD12	H12XD12	H14XD12	H16XDS9		
GENERAL	1.1	Manufacturer	HYSTER						
	1.2	Model designation	H16XD6	H10XD12	H12XD12	H14XD12	H16XDS9		
	1.3	Powertrain / drivetrain	Diesel						
	1.4	Operator type	Seat						
	1.5	Rated capacity / rated load	Q	kg	16,500	10,500	12,500	14,500	16,400
	1.6	Load centre distance	c	mm	600		1,200		900
	1.8	Load distance	x	mm	889			941	
	1.9	Wheelbase	y	mm	3,300			3,500	
	WEIGHT	2.1	Service weight (1)		kg	19,459	18,631	19,754	22,353
2.2		Axle loading, laden front / rear		kg	33,225 / 2,734	26,621 / 2,510	29,368 / 2,886	33,338 / 3,514	35,092 / 2,962
2.3		Axle loading, unladen front / rear		kg	9,280 / 10,179	9,474 / 9,156	9,407 / 10,347	9,968 / 12,384	10,066 / 11,588
WHEELS	3.1	Tyres, front / rear	Pneumatic						
	3.2	Tyres size, front	12.00-20 20PR				12.00 R 20		
	3.3	Tyres size, rear	12.00-20 20PR				12.00 R 20		
	3.5	Wheels, number front / rear (x = driven wheels)	4X / 2						
	3.6	Track width, front	b ₁₀	mm	1,842			1,844	
	3.7	Track width, rear	b ₁₁	mm	2,018			2,020	
DIMENSIONS	4.1	Mast tilt : forward / backwards	α/β	deg	15° / 12°			6° / 10°	
	4.2	Height of mast lowered (unloaded)	h ₁	mm	4,193			4,008	
	4.4	Lift height (bottom of forks)	h ₃	mm	4,910			4,494	
	4.5	Height of mast extended (unloaded)	h ₄	mm	6,648			6,255	
	4.7	Height of overhead guard (open cab)	h ₆	mm	3,083				
	4.7.1	Height of overhead guard (closed cab)	h ₆	mm	3,110				
	4.7.2	Height of overhead guard (closed cab w/ airco)	h ₆	mm	3,110				
	4.7.3	Height of overhead guard (closed cab w/ strobe light)	h ₆	mm	3,205				
	4.7.4	Height of overhead guard (closed cab w/ work lights)	h ₆	mm	3,259				
	4.7.5	Height of overhead guard (closed cab w/ airco & strobe light)	h ₆	mm	3,235				
	4.8	Seat height (Seat Index Point, ISO 5353)	h ₇	mm	1,903				
	4.12	Coupling height	h ₁₀	mm	689				
	4.17	Overhang	l ₅	mm	795		925		
	4.19	Overall length	l ₁	mm	6,814	7,424	7,754	7,806	
	4.20	Length to face of forks	l ₂	mm	4,984		5,314	5,366	
	4.21	Overall width truck	b ₂	mm	2,541				
	4.22	Fork dimensions	s/e/l	mm	90 / 200 / 1,830	90 / 200 / 2,440		100 / 200 / 2,440	
	4.23	Carriage type			90mm std pin type			100mm std pin type	
	4.24	Carriage width	b ₃	mm	2,496			2,540	
	4.25	Distance over fork arms, minimum / maximum	b ₅	mm	534 / 2,356			470 / 2,440	
	4.31	Ground clearance, under mast (w/o load)	m ₁	mm	245			225	
	4.32	Ground clearance, centre of wheelbase	m ₂	mm	341				
4.33	Load size	w x l	mm	1,200 x 1,200	2,400 x 2,400				
4.33.1	Aisle width (a=10%)	Ast	mm	7,399	8,719	9,066	9,123		
4.33.2	Aisle width (a=0)	Ast	mm	6,726	7,926	8,242	8,294		
4.33.3	Aisle width (a=200)	Ast	mm	6,926	8,126	8,442	8,494		
4.34	Load size	w x l	mm	1,200 x 800	1,930 x 1,830				
4.34.1	Aisle width (a=10%)	Ast	mm	6,959	8,092	8,439			
4.34.1.2	Aisle width (a=0)	Ast	mm	6,326	7,356	7,672			
4.34.1.3	Aisle width (a=200)	Ast	mm	6,526	7,556	7,872			
4.35	Outside turning radius	W _a	mm	4,573		4,947	4,874		
4.36	Internal turning radius	b ₁₃	mm	1,777		1,940	1,803		
PERFORMANCE - TIER 3	5.1	Travel speed laden/unladen Tier 3 (2)		km/h	27.4 / 29.0			27.1 / 29.0	
	5.2	Lifting speed laden/unladen 90cc Tier 3		m/s	- / -			- / -	
	5.2.1	Lifting speed laden/unladen 111cc Tier 3		m/s	0.36 / 0.40			- / -	
	5.2.2	Lifting speed laden/unladen 126cc Tier 3		m/s	- / -			0.33 / 0.44	
	5.3	Lowering speed laden/unladen		m/s	0.54 / 0.48			0.54 / 0.45	
	5.5	Drawbar pull laden/unladen @ 1.6 km/hour Tier 3		kN	99 / 101	100 / 102	99 / 101	98 / 101	
	5.6	Drawbar pull laden/unladen @ stall Tier 3		kN	111 / 114	112 / 114	111 / 113		110 / 113
	5.7	Gradeability laden/unladen @ 1.6 km/hour Tier 3		%	29 / 32	36 / 34	33 / 32	28 / 33	27 / 34
5.8	Gradeability laden/unladen @ stall Tier 3		%	33 / 32	41 / 34	38 / 32	32 / 33	31 / 34	
PERFORMANCE - TIER 4	5.1.1	Travel speed laden/unladen Tier 4 (2)		km/h	27.4 / 29.0			27.1 / 29.0	
	5.2.3	Lifting speed laden/unladen 90cc Tier 4		m/s	- / -				
	5.2.4	Lifting speed laden/unladen 111cc Tier 4		m/s	- / -				
	5.2.5	Lifting speed laden/unladen 126cc Tier 4		m/s	0.41 / 0.46			0.39 / 0.44	
	5.3.1	Lowering speed laden/unladen		m/s	0.54 / 0.48			0.54 / 0.45	
	5.5.1	Drawbar pull laden/unladen @ 1.6 km/hour Tier 4		kN	104 / 107	105 / 107	105 / 107	108 / 110	107 / 110
	5.6.1	Drawbar pull laden/unladen @ stall Tier 4		kN	117 / 120	118 / 120	117 / 120	120 / 123	
	5.7.1	Gradeability laden/unladen @ 1.6 km/hour Tier 4		%	31 / 32	38 / 34	35 / 32	31 / 33	30 / 34
5.8.1	Gradeability laden/unladen @ stall Tier 4		%	35 / 32	44 / 34	40 / 32	35 / 33	34 / 34	

- (1) Truck models based on Stage-V engine and Standard pin-type carriage w/o fork positioning
(2) Travel speed laden/unladen limited at 25 km/h as factory default

H16XDS12 / H18XD6 / H16XD9 / H16XD12 / H18XD9 SPECIFICATIONS

			HYSTER						
			H16XDS12	H18XD6	H16XD9	H16XD12	H18XD9		
GENERAL	1.1	Manufacturer	HYSTER						
	1.2	Model designation	H16XDS12	H18XD6	H16XD9	H16XD12	H18XD9		
	1.3	Powertrain / drivetrain	Diesel						
	1.4	Operator type	Seat						
	1.5	Rated capacity / rated load	Q	kg	16,400	18,200	16,400	16,400	18,200
	1.6	Load centre distance	c	mm	1,200	600	900	1,200	900
	1.8	Load distance	x	mm	941				
	1.9	Wheelbase	y	mm	3,500		3,750		
	WEIGHT	2.1	Service weight (1)		kg	23,461	20,897	21,006	22,681
2.2		Axle loading, laden front / rear		kg	36,401 / 3,459	36,290 / 2,807	34,630 / 2,775	35,861 / 3,219	37,298 / 3,082
2.3		Axle loading, unladen front / rear		kg	9,969 / 13,491	10,077 / 10,820	10,179 / 10,826	10,098 / 12,583	10,163 / 12,017
WHEELS	3.1	Tyres, front / rear	Pneumatic						
	3.2	Tyres size, front	12.00 R 20						
	3.3	Tyres size, rear	12.00 R 20						
	3.5	Wheels, number front / rear (x = driven wheels)	4X / 2						
	3.6	Track width, front	b ₁₀	mm	1,844				
	3.7	Track width, rear	b ₁₁	mm	2,020				
DIMENSIONS	4.1	Mast tilt : forward / backwards	α/β	deg	6° / 10°				
	4.2	Height of mast lowered (unloaded)	h ₁	mm	4,008				
	4.4	Lift height (bottom of forks)	h ₃	mm	4,494				
	4.5	Height of mast extended (unloaded)	h ₄	mm	6,255				
	4.7	Height of overhead guard (open cab)	h ₆	mm	3,083				
	4.7.1	Height of overhead guard (closed cab)	h ₆	mm	3,110				
	4.7.2	Height of overhead guard (closed cab w/ airco)	h ₆	mm	3,110				
	4.7.3	Height of overhead guard (closed cab w/ strobe light)	h ₆	mm	3,205				
	4.7.4	Height of overhead guard (closed cab w/ work lights)	h ₆	mm	3,259				
	4.7.5	Height of overhead guard (closed cab w/ airco & strobe light)	h ₆	mm	3,235				
	4.8	Seat height (Seat Index Point, ISO 5353)	h ₇	mm	1,903				
	4.12	Coupling height	h ₁₀	mm	689				
	4.17	Overhang	l ₅	mm	942	925			
	4.19	Overall length	l ₁	mm	7,823	7,806	8,056		
	4.20	Length to face of forks	l ₂	mm	5,383	5,366	5,616		
	4.21	Overall width truck	b ₂	mm	2,541				
	4.22	Fork dimensions	s/e/l	mm	100 / 200 / 2,440				
	4.23	Carriage type			100mm std pin type				
	4.24	Carriage width	b ₃	mm	2,540				
	4.25	Distance over fork arms, minimum / maximum	b ₅	mm	470 / 2,440				
	4.31	Ground clearance, under mast (w/o load)	m ₁	mm	225				
	4.32	Ground clearance, centre of wheelbase	m ₂	mm	341				
	4.33	Load size	w x l	mm	2,400 x 2,400				
	4.33.1	Aisle width (a=10%)	Ast	mm	9,140	9,123	9,395		
	4.33.2	Aisle width (a=0)	Ast	mm	8,309	8,294	8,541		
	4.33.3	Aisle width (a=200)	Ast	mm	8,509	8,494	8,741		
	4.34	Load size	w x l	mm	-				
4.34.1	Aisle width (a=10%)	Ast	mm	-					
4.34.1.2	Aisle width (a=0)	Ast	mm	-					
4.34.1.3	Aisle width (a=200)	Ast	mm	-					
4.35	Outside turning radius	W _a	mm	4,889	4,874	5,185			
4.36	Internal turning radius	b ₁₃	mm	1,803		1,996			
PERFORMANCE - TIER 3	5.1	Travel speed laden/unladen Tier 3 (2)		km/h	27.1 / 29.0				
	5.2	Lifting speed laden/unladen 90cc Tier 3		m/s	- / -				
	5.2.1	Lifting speed laden/unladen 111cc Tier 3		m/s	- / -				
	5.2.2	Lifting speed laden/unladen 126cc Tier 3		m/s	0.33 / 0.44				
	5.3	Lowering speed laden/unladen		m/s	0.54 / 0.45				
	5.5	Drawbar pull laden/unladen @ 1.6 km/hour Tier 3		kN	98 / 101				
	5.6	Drawbar pull laden/unladen @ stall Tier 3		kN	110 / 113				
	5.7	Gradeability laden/unladen @ 1.6 km/hour Tier 3		%	26 / 31	26 / 35	28 / 38	26 / 36	25 / 36
5.8	Gradeability laden/unladen @ stall Tier 3		%	29 / 31	30 / 35	32 / 38	30 / 36	29 / 36	
PERFORMANCE - TIER 4	5.1.1	Travel speed laden/unladen Tier 4 (2)		km/h	27.1 / 29.0				
	5.2.3	Lifting speed laden/unladen 90cc Tier 4		m/s	- / -				
	5.2.4	Lifting speed laden/unladen 111cc Tier 4		m/s	- / -				
	5.2.5	Lifting speed laden/unladen 126cc Tier 4		m/s	0.39 / 0.44				
	5.3.1	Lowering speed laden/unladen		m/s	0.54 / 0.45				
	5.5.1	Drawbar pull laden/unladen @ 1.6 km/hour Tier 4		kN	107 / 110		108 / 110		107 / 110
	5.6.1	Drawbar pull laden/unladen @ stall Tier 4		kN	120 / 123				
	5.7.1	Gradeability laden/unladen @ 1.6 km/hour Tier 4		%	28 / 31	29 / 35	31 / 38	29 / 36	28 / 36
5.8.1	Gradeability laden/unladen @ stall Tier 4		%	32 / 31	33 / 35	35 / 38	33 / 36	32 / 36	

(1) Truck models based on Stage-V engine and Standard pin carriage w/o fork positioning
(2) Travel speed laden/unladen limited at 25 km/h as factory default

MAST AND CAPACITY INFORMATION - 8-9T & 10-12T

8-9T RATED CAPACITY KG @ 600 MM LOAD CENTRE

	Lift height $h_3 + s$ (mm)	Lowered height h_1 (mm)	Extended height h_4 (mm)	Standard pin type carriage (kg)			Sideshift frame pin type carriage (kg)			QD DFSSFP carriage (kg)*		
				H8XD6	H9XD6	H9XDL6	H8XD6	H9XD6	H9XDL6	H8XD6	H9XD6	H9XDL6
2 STAGE NFL	3250	3009.5	4597	8,500	9,500	9,500	8,400	9,400	9,400	8,200	9,200	9,200
	3500	3134.5	4847	8,500	9,500	9,500	8,400	9,400	9,400	8,200	9,200	9,200
	3750	3259.5	5097	8,500	9,500	9,500	8,400	9,400	9,400	8,200	9,200	9,200
	4000	3384.5	5347	8,500	9,500	9,500	8,400	9,400	9,400	8,200	9,200	9,200
	4500	3634.5	5847	8,500	9,500	9,500	8,400	9,400	9,400	8,200	9,200	9,200
	4750	3759.5	6097	8,500	9,500	9,500	8,400	9,400	9,400	8,200	9,200	9,200
	5000	3884.5	6347	8,500	9,500	9,500	8,400	9,400	9,400	8,200	9,200	9,200
	5500	4134.5	6847	8,360	9,340	9,340	8,300	9,300	9,280	8,080	9,060	9,060

Capacity calculated with 1220mm forks. Note: addition of header hoses will add 16.5mm to OLH (h1) and OEH (h4).

8-12T RATED CAPACITY KG @ 600 MM LOAD CENTRE

	Lift height $h_3 + s$ (mm)	Lowered height h_1 (mm)	Extended height h_4 (mm)	Sideshift frame pin type carriage (kg)					
				H8XD6	H9XD6	H9XDL6	H10XDS6	H10XD6	H12XD6
3 STAGE FFL	5500	3012	6880	7,420	8,360	8,360	9,400	9,400	11,300
	6000	3178	7380	7,260	8,220	8,220	9,240	9,240	11,120
	6500	3345	7880	7,080	8,020	8,020	9,040	9,040	10,920
	7000	3511	8380	6,880	7,780	7,780	8,800	8,800	10,660

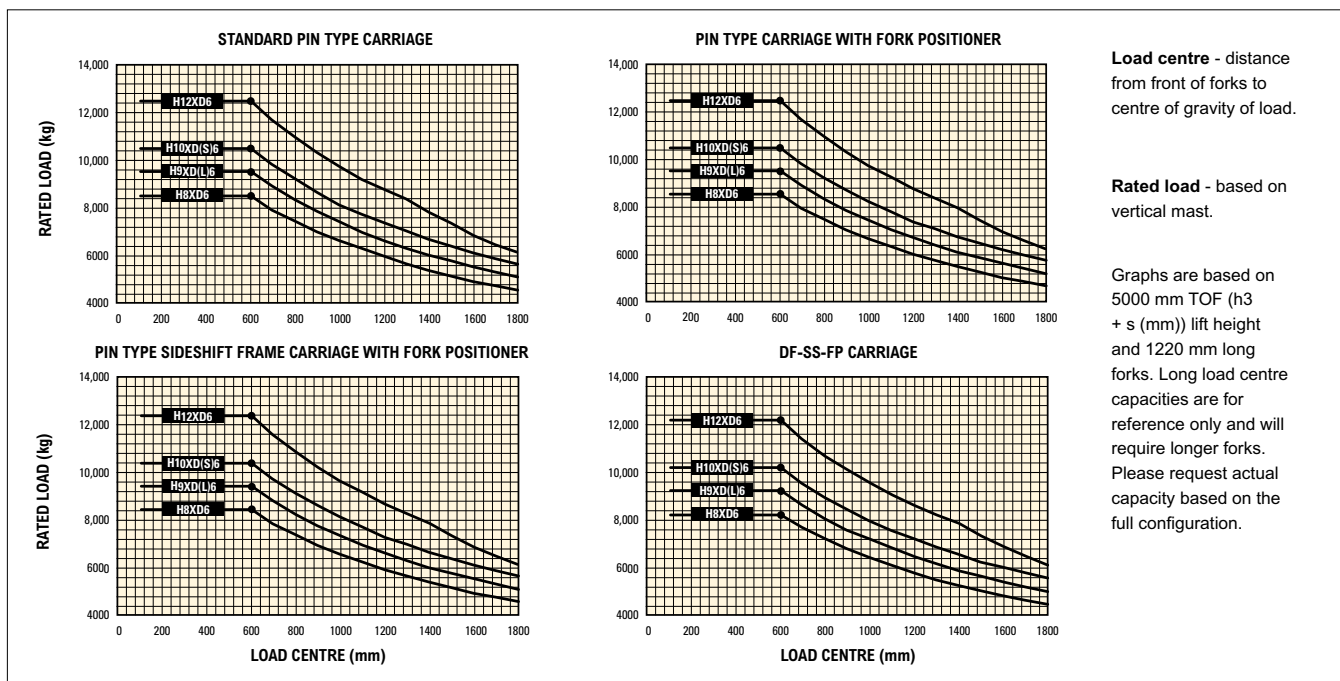
Capacity calculated with 1,220mm forks

10-12T RATED CAPACITY KG @ 600 MM LOAD CENTRE

	Lift height $h_3 + s$ (mm)	Lowered height h_1 (mm)	Extended height h_4 (mm)	Standard pin type carriage (kg)			Sideshift frame pin type carriage (kg)			QD DFSSFP carriage (kg)*		
				H10XDS6	H10XD6	H12XD6	H10XDS6	H10XD6	H12XD6	H10XDS6	H10XD6	H12XD6
2 STAGE NFL	2750	3010	4347	10,500	10,500	12,500	10,400	10,400	12,400	10,200	10,200	12,200
	3000	3135	4597	10,500	10,500	12,500	10,400	10,400	12,400	10,200	10,200	12,200
	3250	3260	4847	10,500	10,500	12,500	10,400	10,400	12,400	10,200	10,200	12,200
	3500	3385	5097	10,500	10,500	12,500	10,400	10,400	12,400	10,200	10,200	12,200
	3750	3510	5347	10,500	10,500	12,500	10,400	10,400	12,400	10,200	10,200	12,200
	4000	3635	5597	10,500	10,500	12,500	10,400	10,400	12,400	10,200	10,200	12,200
	4500	3885	6097	10,500	10,500	12,500	10,400	10,400	12,400	10,200	10,200	12,200
	4750	4010	6347	10,500	10,500	12,500	10,400	10,400	12,400	10,200	10,200	12,200
	5000	4135	6597	10,500	10,500	12,500	10,400	10,400	12,400	10,200	10,200	12,200
	5500	4385	7097	10,340	10,340	12,320	10,300	10,300	12,320	10,040	10,040	12,000
	6000	4635	7597	10,180	10,160	12,140	10,120	10,100	12,100	Capacity will vary based on side shift and tilt		
	6250	4760	7847	10,080	10,080	12,060	10,000	10,000	12,000			
	6500	4885	8097	10,000	9,980	11,960	9,900	9,880	11,880			
	7000	5135	8597	9,780	9,760	11,740	9,680	9,660	11,640			

Capacity calculated with 1,220mm forks. *DFSSFP QD carriage has 455mm sideshift. Smaller derate applicable with less backtilt.
Note: addition of header hoses will add 17mm to OLH (h1) and OEH (h4).

RATED CAPACITIES



MAST AND CAPACITY INFORMATION - 13-16T & 10-12T

13-16T RATED CAPACITY KG @ 600MM LOAD CENTRE / 10-12T RATED CAPACITY KG @ 1200MM LOAD CENTRE, STANDARD PIN TYPE CARRIAGE

	Lift height h ₃ + s (mm)	Lowered height h ₁ (mm)	Extended height h ₄ (mm)	Standard pin type carriage (kg)						
				H13XDS6	H14XDS6	H13XD6	H14XD6	H16XD6	H10XD12	H12XD12
2 STAGE NFL	2750	3068	4398	13,500	14,500	13,500	14,500	16,500	10,500	12,500
	3000	3193	4648	13,500	14,500	13,500	14,500	16,500	10,500	12,500
	3250	3318	4898	13,500	14,500	13,500	14,500	16,500	10,500	12,500
	3500	3443	5148	13,500	14,500	13,500	14,500	16,500	10,500	12,500
	3750	3568	5398	13,500	14,500	13,500	14,500	16,500	10,500	12,500
	4000	3693	5648	13,500	14,500	13,500	14,500	16,500	10,500	12,500
	4500	3943	6148	13,500	14,500	13,500	14,500	16,500	10,500	12,500
	4750	4068	6398	13,500	14,500	13,500	14,500	16,500	10,500	12,500
	5000	4193	6648	13,500	14,500	13,500	14,500	16,500	10,500	12,500
	5500	4443	7148	13,340	14,340	13,320	14,320	16,300	10,360	12,360
	6000	4693	7648	13,160	14,140	13,140	14,140	16,120	10,220	12,200
	6250	4818	7898	13,080	14,060	13,040	14,040	16,000	10,140	12,100
	6500	4943	8148	12,960	13,960	12,920	13,940	15,900	10,040	12,000
7000	5193	8648	12,700	13,760	12,660	13,720	15,660	9,860	11,800	

13-16T RATED CAPACITY KG @ 600MM LOAD CENTRE / 10-12T RATED CAPACITY KG @ 1200MM LOAD CENTRE, SIDESHIFT FRAME PIN TYPE CARRIAGE

	Lift height h ₃ + s (mm)	Lowered height h ₁ (mm)	Extended height h ₄ (mm)	Sideshift frame pin type carriage (kg)						
				H13XDS6	H14XDS6	H13XD6	H14XD6	H16XD6	H10XD12	H12XD12
2 STAGE NFL	2750	3068	4398	13,400	14,500	13,400	14,500	16,400	10,400	12,400
	3000	3193	4648	13,400	14,500	13,400	14,500	16,400	10,400	12,400
	3250	3318	4898	13,400	14,500	13,400	14,500	16,400	10,400	12,400
	3500	3443	5148	13,400	14,500	13,400	14,500	16,400	10,400	12,400
	3750	3568	5398	13,400	14,500	13,400	14,500	16,400	10,400	12,400
	4000	3693	5648	13,400	14,500	13,400	14,500	16,400	10,400	12,400
	4500	3943	6148	13,400	14,500	13,400	14,500	16,400	10,400	12,400
	4750	4068	6398	13,400	14,500	13,400	14,500	16,400	10,400	12,400
	5000	4193	6648	13,400	14,500	13,400	14,500	16,400	10,400	12,400
	5500	4443	7148	13,240	14,340	13,240	14,320	16,280	10,280	12,260
	6000	4693	7648	13,040	14,160	13,000	14,140	16,040	10,120	12,080
	6250	4818	7898	12,920	14,060	12,900	14,040	15,900	10,020	12,000
	6500	4943	8148	12,800	13,960	12,780	13,940	15,780	9,940	11,900
7000	5193	8648	12,560	13,760	12,500	13,720	15,500	9,740	11,680	

13-16T RATED CAPACITY KG @ 600MM LOAD CENTRE / 10-12T RATED CAPACITY KG @ 1200MM LOAD CENTRE, QD DFSSFP CARRIAGE

	Lift height h ₃ + s (mm)	Lowered height h ₁ (mm)	Extended height h ₄ (mm)	QD DFSSFP carriage (kg)						
				H13XDS6	H14XDS6	H13XD6	H14XD6	H16XD6	H10XD12	H12XD12
2 STAGE NFL	2750	3068	4398	13,100	14,400	13,100	14,400	16,100	10,200	12,000
	3000	3193	4648	13,100	14,400	13,100	14,400	16,100	10,200	12,000
	3250	3318	4898	13,100	14,400	13,100	14,400	16,100	10,200	12,000
	3500	3443	5148	13,100	14,400	13,100	14,400	16,100	10,200	12,000
	3750	3568	5398	13,100	14,400	13,100	14,400	16,100	10,200	12,000
	4000	3693	5648	13,100	14,400	13,100	14,400	16,100	10,200	12,000
	4500	3943	6148	13,100	14,400	13,100	14,400	16,100	10,200	12,000
	4750	4068	6398	13,100	14,400	13,100	14,400	16,100	10,200	12,000
	5000	4193	6648	13,100	14,400	13,100	14,400	16,100	10,200	12,000
	5500	4443	7148	12,700	12,720	12,880	13,640	14,040	10,060	12,000
	6000	4693	7648							
	6250	4818	7898							
	6500	4943	8148							
7000	5193	8648								

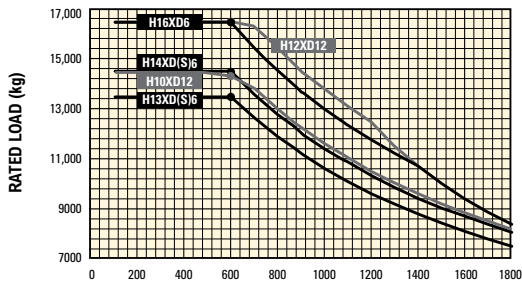
Capacity will vary based on side shift and tilt

13-16T RATED CAPACITY KG @ 600MM LOAD CENTRE / 10-12T RATED CAPACITY KG @ 1200MM LOAD CENTRE, SIDESHIFT FRAME PIN TYPE CARRIAGE

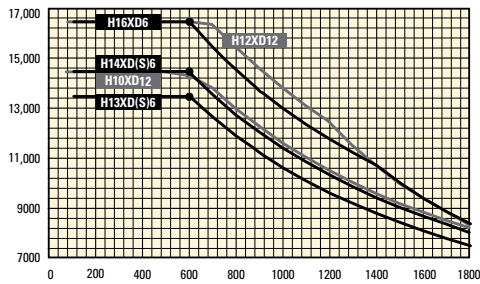
	Lift height h ₃ + s (mm)	Lowered height h ₁ (mm)	Extended height h ₄ (mm)	Sideshift frame pin type carriage (kg)						
				H13XDS6	H14XDS6	H13XD6	H14XD6	H16XD6	H10XD12	H12XD12
3 STAGE FFL	4500	3103	6180	12,000	12,900	12,000	12,900	14,720	9,400	11,440
	5000	3269	6680	11,960	12,840	11,960	12,840	14,660	9,360	11,400
	6000	3602	7680	11,580	12,460	11,580	12,460	14,240	9,080	11,080
	7000	3935	8680	11,060	11,940	11,060	11,940	13,720	8,700	10,680

Capacity calculated with bias tyres, radial tyres will give a higher derate for DFSSFP carriage above 5000 mm Lift Height
 Capacity calculated with 1,830mm forks
 Note: addition of header hoses will add 17mm to OLH (h1) and OEH (h4)

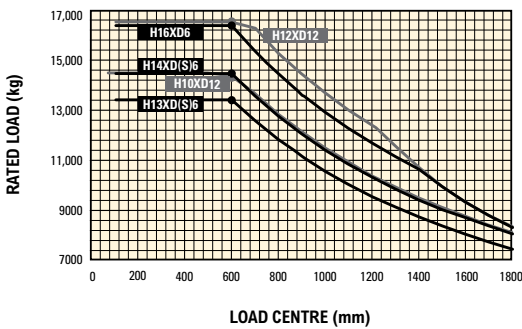
STANDARD PIN TYPE CARRIAGE



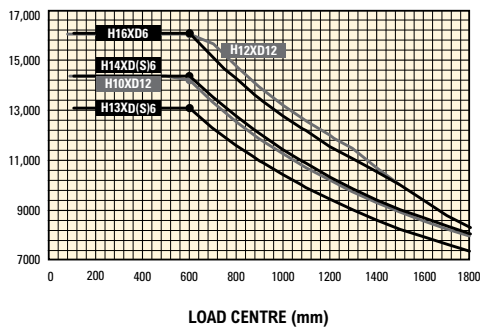
PIN TYPE CARRIAGE WITH FORK POSITIONER



PIN TYPE SIDESHIFT FRAME CARRIAGE WITH FORK POSITIONER



DF-SS-FP CARRIAGE



Load centre - distance from front of forks to centre of gravity of load.

Rated load - based on vertical mast.

Graphs are based on 5000 mm TOF (h3 + s (mm)) lift height.

XD6 models are calculated with 1830 mm long forks.

XD12 models are calculated with 2440 mm long forks.

Long load centre capacities are for reference only and will require longer forks. Please request actual capacity based on the full configuration.

MAST AND CAPACITY INFORMATION - 16-18T

16-18T RATED CAPACITY KG @ 900 AND 1200 MM LOAD CENTRE, STANDARD PIN TYPE CARRIAGE

	Lift height $h_3 + s$ (mm)	Lowered height h_1 (mm)	Extended height h_4 (mm)	Standard pin type carriage (kg)						
				H14XD12	H16XDS9	H16XDS12	H18XD6	H16XD9	H16XD12	H18XD9
2 STAGE NFL	3984	3703	5645	14,500	16,400	16,000	18,200	16,400	16,000	18,200
	4594	4008	6255	14,500	16,400	16,000	18,200	16,400	16,000	18,200
	5406	4414	7067	14,500	16,400	16,000	18,200	16,400	16,000	18,200
	6219	4821	7880	14,240	16,100	16,000	17,860	16,100	16,000	17,840

16-18T RATED CAPACITY KG @ 900 AND 1200 MM LOAD CENTRE, SIDESHIFT FRAME PIN TYPE CARRIAGE

	Lift height $h_3 + s$ (mm)	Lowered height h_1 (mm)	Extended height h_4 (mm)	Sideshift frame pin type carriage (kg)						
				H14XD12	H16XDS9	H16XDS12	H18XD6	H16XD9	H16XD12	H18XD9
2 STAGE NFL	3984	3703	5645	14,500	16,000	16,000	18,000	16,000	16,000	17,450
	4594	4008	6255	14,500	16,000	16,000	18,000	16,000	16,000	17,450
	5406	4414	7067	14,500	16,000	16,000	18,000	16,000	16,000	17,450
	6219	4821	7880	14,220	15,940	15,940	17,860	15,920	15,920	17,160

16-18T RATED CAPACITY KG @ 900 AND 1200 MM LOAD CENTRE, QD DFSSFP CARRIAGE

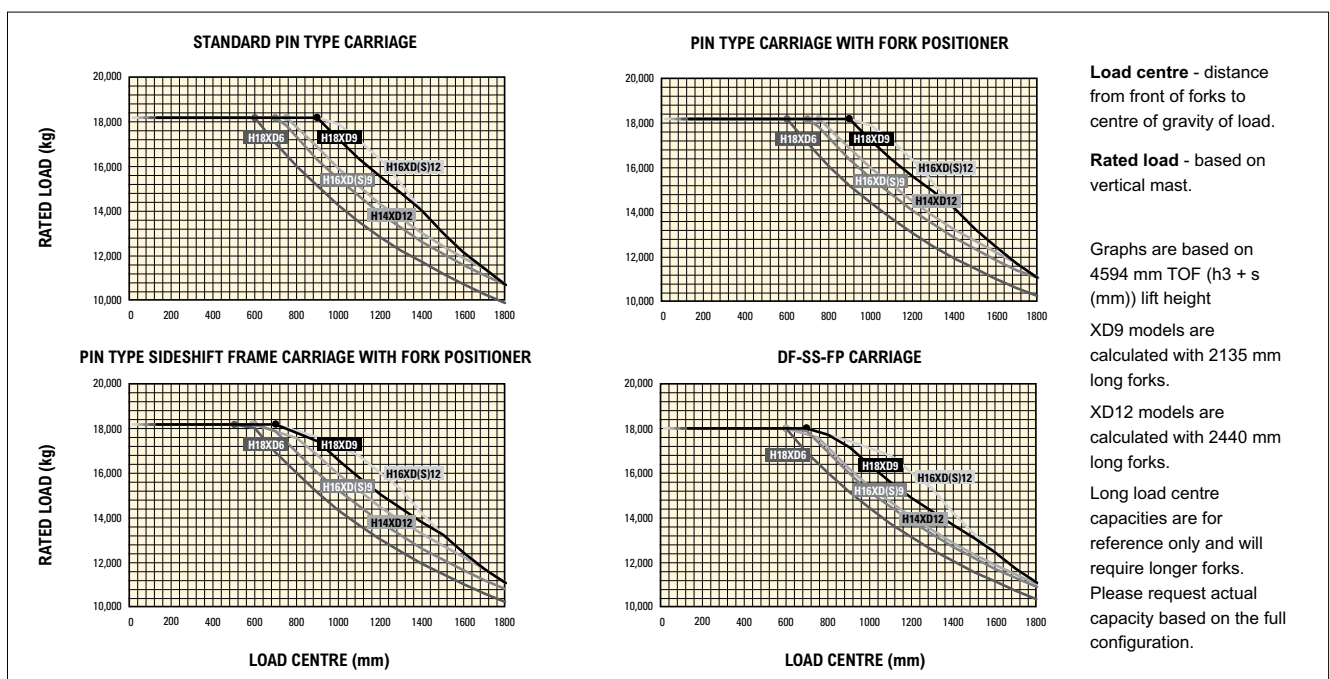
	Lift height $h_3 + s$ (mm)	Lowered height h_1 (mm)	Extended height h_4 (mm)	QD DFSSFP carriage (kg)						
				H14XD12	H16XDS9	H16XDS12	H18XD6	H16XD9	H16XD12	H18XD9
2 STAGE NFL	3984	3703	5645	14,000	16,000	16,000	18,000	16,000	16,000	17,200
	4594	4008	6255	14,000	16,000	16,000	18,000	16,000	16,000	17,200
	5406	4414	7067	14,000	15,180	14,740	15,840	15,460	14,960	15,580
	6219	4821	7880	Capacity will vary based on side shift and tilt						

16-18T RATED CAPACITY KG @ 900 AND 1200 MM LOAD CENTRE, QD DFSSFP CARRIAGE INTEGRATED FORKS

	Lift height $h_3 + s$ (mm)	Lowered height h_1 (mm)	Extended height h_4 (mm)	DFSSFP INTEGRATED FORKS CRG (kg)						
				H14XD12	H16XDS9	H16XDS12	H18XD6	H16XD9	H16XD12	H18XD9
2 STAGE NFL	3984	3703	5645	14,500	16,000	16,000	18,000	16,000	16,000	18,000
	4594	4008	6255	14,500	16,000	16,000	18,000	16,000	16,000	18,000
	5406	4414	7067	14,500	15,320	14,880	15,940	15,600	15,100	15,740
	6219	4821	7880	Capacity will vary based on side shift and tilt						

Capacity calculated with bias tyres, radial tyres will give a higher derate for DFSSFP carriage above 5000 mm Lift Height
Capacity calculated with 2,440mm forks. Note: addition of header hoses will add 17mm to OLH (h1) and OEH (h4)

RATED CAPACITIES



GENERAL	1.1	Manufacturer			HYSTER		
	1.2	Model designation			H9XDL6, H10-18XD(S)6, H16-18XD(S)9, H10-16XD(S)12	H8-12XD(S)6, H9XDL6	H9XDL6, H10-18XD(S)6, H16-18XD(S)9, H10-16XD(S)12
	1.3	Powertrain / drivetrain			Diesel		
	1.9	Wheel Base			2900-3750	2700-2900	2900-3750
ENGINE	7.1	Engine manufacturer / model			Cummins QSB 6.7 Tier 3 / Stage IIIA	Cummins QSB 4.5 Tier 4 / Stage IV	Cummins QSB 6.7 Tier 4 / Stage IV
	7.2	Engine power output according to ISO 1585 nominal		kW@rpm	116@2300	119@2300	122@2300
	7.2.1	Engine output according to ISO 1585 max		kW@rpm	116@2300	122@2200	125@2100
	7.2.2	Maximum engine torque		Nm@rpm	597@1500	624@1500	732@1500
	7.3	Rated speed		rpm	2,300		
	7.4	Number of cylinders / displacement		# / cm ³	6 / 6700	4 / 4500	6 / 6700
	7.5	Fuel consumption in accordance to VDI		l/h	Call		
	7.8	Alternator		Amps	120		
	7.10	Battery voltage, nominal capacity		V / Ah	24 / 102		
	MISC	10.1	Operating pressure for attachments		bar	195	
10.2		Oil volume for attachments		l/m	100		
10.3		Hydraulic tank capacity (Wheelbase 2700mm / 2900+ mm)		l	93 / 109		
10.4		Fuel tank capacity (Wheelbase 2700mm / 2900 mm / 3300+ mm)		l	113 / 151 / 203		
10.4.1		DEF Tank capacity		l	19		
10.5		Steering design		Type	Hydraulic power steering		
10.7		Sound pressure level per EN 12053 at the driver's seat ⁽³⁾	Lpaz	dB(A)	-		
10.7.1		Sound power level per EN 12053 during the working cycle ⁽³⁾	Lwaz	dB(A)	TBD		

	1.1	Manufacturer			HYSTER		
	1.2	Model designation			H8-12XD(S)6, H9XDL6	H13-18XD(S)6, H16-18XD(S)9, H12-16XD(S)12	
DRIVETRAIN	8.1	Type of drive unit		Type	Torque Converter		
	8.2	Transmission Manufacturer / type		Type	ZF / 3WG161		
	8.3	Transmission speeds forward / backward		#	Kessler D61	Kessler D81	
	8.4	Coupling		Type	Oil immersed disc		
	8.5	Wheel drive / drive axle manufacturer / type		Type	Dry disc on drive axle		

NOTES:

Specifications are affected by the condition of the vehicle and how it is equipped, as well as the nature and condition of the operating area. Inform your dealer of the nature and condition of the intended operating area when purchasing your Hyster® truck.

(3) Sound level(s) based on low mount exhaust for Stage V

All capacities are according to EN1551.

NOTICE:

Care must be exercised when handling elevated loads. Operators must be trained and must read, understand and follow the instructions contained in the Operating Manual.

All values are nominal values and they are subject to tolerances. For further information, please contact the manufacturer.

Hyster products are subject to change without notice.

Lift trucks illustrated may feature optional equipment. Values may vary with alternative configurations.

CERTIFICATION: Hyster lift trucks meet the design and construction requirements of B56.1-1969, per OSHA Section 1910.178(a)(2), and also comply with the B56.1 revision in effect at time of manufacture. Certification of compliance with the applicable ANSI standards appears on the lift truck. Performance specifications are for a truck equipped as described under Standard Equipment on this Technical Guide. Performance specifications are affected by the condition of the vehicle and how it is equipped, as well as by the nature, condition of the operating area, proper service and maintenance of the vehicle. If these specifications are critical, the proposed application should be discussed with your dealer.

NOTE: Specifications, unless otherwise listed, are for a standard truck without optional equipment.

Specification data is based on VDI 2198.

STANDARD EQUIPMENT AND OPTIONS

PERFORMANCE	STD	OPT
Cummins QSB 6.7 T3	Tier 3	
Cummins QSB 6.7 T4	Tier 4	
Cummins QSB 4.5 T4	Tier 4	
Hydraulic driven cooling fan	X	
Performance modes	Tier 4	
Powertrain protection system	X	
Heavy duty air intake	X	
Heavy duty air intake (raised Stage V only)		X
Low mount exhaust (below chassis stage V only)	Tier 4	
High mount exhaust	Tier 3	Tier 4
ZF Transmission WG161 3-speeds forward/3-speeds reverse auto-shifting	X	
Kessler drive axle with wet disc brakes	X	
DRIVE	STD	OPT
Speed limiter - unconditional and customer adjustable		X
Travel speed limiter - loaded (adjustable)		X
LIFT	STD	OPT
On-demand load sensing hydraulic system	X	
Automatic throttle-up when lifting (in neutral or inching)	X	
Hydraulic accumulator		X
Pressure compensated lowering	X	
Hydraulic system temperature protection		X
Mast tilt indicator - mechanical		X
ERGONOMICS	STD	OPT
Open operator compartment (without doors and screens)	X	
Enclosed operator cabin		X
Powered tilt operator compartment for service		X
Manual tilt operator compartment for service	X	
Isolated cabin mounting for low noise and vibration	X	
Operator presence system	X	
Mechanical suspension seat	X	
Air suspension seat		X
Deluxe air suspension seat		X
Low backrest seat	X	
High backrest seat		X
Additional armrest on left side		X
Cloth seat cover		X
Vinyl seat cover	X	
Seat heating		X
Seat ventilation		X
2-point high visibility seatbelt	X	
Lateral seat sliding mechanism		X
Floor mat	X	
Coat hook	X	
Front, top and rear wipers with individual controlled washers		X
"H"-pattern front wiper (Enclosed operator cabin)		X
"I"-pattern front wiper (Enclosed operator cabin)	X	
Top window with armoured glass (Enclosed operator cabin)	X	
Steel bars under armoured glass top window (enclosed operator cabin)		X
Tinted operator compartment windows (all)		X
Tinted operator compartment top window		X
Plexiglass shield in front of front window		X
Wire mesh installed on top of operator compartment		X
Operator shield wire mesh		X
7" Integrated performance display	X	
Touchpoint™ mini levers hydraulic control integrated in control arm	X	
Joystick hydraulic control integrated in control arm		X
Steering wheel with spinner knob	X	
Directional control lever		X
Hyster Monotrol pedal directional control		X
Directional control on Mini-levers or Joystick	X	
Park brake - manual	X	
Park brake - automatic		X
Heater with adjustable speed fan (enclosed operator cabin)	X	
Diesel fueled cabin heater		X
Telescoping and tilting steering column	X	
USB outlet inside armrest	X	
24-12 DC converter with 2 sockets and 2 USB outlets		X

Automatic climate control		X
ERGONOMICS (continued)	STD	OPT
Reading light		X
Sun shades on top and rear		X
Sun visors front window		X
Trainer seat		X
Recirculation fan		X
Accessory mounting bar on cab front right pillar		X
Document holder on cab front right pillar		X
Heated top- and/or rear window		X
Radio preparation set-up (wiring, two speakers and antenna)		X
Bluetooth radio with 2 speakers and antenna		X
VISIBILITY	STD	OPT
Exterior mirrors mounted to cab		X
Interior wide angle mirrors	X	
Rear view camera system		X
Radar object detection system		X
Halogen work lights	X	
LED work lights		X
High Performance LED work lights		X
Two head lights mounted on front fenders		X
Mast mounted work lights		X
Four cabin mounted work lights		X
Two rearward work lights mounted on the cabin	X	
LED stop/tail/brake lights	X	
Turn signals, hazard and marker lights (LED)	X	
OPERATION	STD	OPT
Air horn 112 dBA		X
Electric horn 105 dBA	X	
Visible alarm – Amber strobe light, key switch activated		X
Audible alarm – reverse direction activated 82–102 dB(A), self-adjusting		X
Audible alarm – reverse direction white noise		X
Forward / reverse motion alarm		X
Blue LED spotlight – rear / front and rear		X
Tyre pressure monitoring system		X
Air-conditioning or automatic climate control off with open door		X
Automatic truck shutdown with timer		X
Lockable battery disconnect switch		X
Battery jump start connector (NATO plug)		X
Truck Start with key switch and start button	X	
Operator password (display) for truck start		X
Seatbelt with interlock on sequence	X*	X**
Power distribution group with fuses	X	
Fuses partially replaced by electric circuit breakers		X
Non-lockable fuel cap	X	
Lockable fuel cap		X
Diesel fuel inlet strainer in filler neck		X
Hyster Tracker wireless asset management system	X	
Hyster Tracker wireless asset management - Access / Verification		X
Hyster Tracker wireless asset management - Monitoring		X
Auto greasing system for basic truck and outer mast		X
24 volt electrical system	X	
Steer wheel lug nut protection		X
Front mud flaps		X
Rear mud flaps		X
Lifting eyes - 2 front and 2 rear		X
APPEARANCE	STD	OPT
Hyster yellow paint base truck	X	
Special paint base truck		X
Operator compartment special paint (outside only)		X
Hazard warning striping on counterweight		X
SUPPLEMENTAL	STD	OPT
Literature package	X	
Operator's manual	X	
CE certification	Tier 4	Tier 3
Warranty: 12 Months / 2,000 Hours Parts manufacturer's warranty		X
Warranty: 24 Months / 4,000 Hours Parts manufacturer's warranty	X	

* Standard for Australia

** Optional for other markets

STANDARD EQUIPMENT AND OPTIONS

H8XD6 / H9XD6 / H10XDS6 / H9XDL6; H10XD6 / H12XD6

DRIVE	STD	OPT
10.00 - 20 16PR Pneumatic Bias Ply drive and steer tyres	X	
10.00 - R20 Radial Michelin XZM drive and steer tyres		X
10.00 - R20 Radial Trelleborg drive and steer tyres		X
10.00 - 20 Pneumatic Shaped Solid drive and steer tyres		X
Spare wheels and tyres		X
LIFT	STD	OPT
90cc Dual pump hydraulic system	X	
111cc Dual pump hydraulic system		X
Four mast mounted work lights		X
2 stage Non Free Lift 9t and 12t mast	X	
2 Stage Full Free Lift 12t mast (can be used on lower capacity models)		X
3 Stage Full Free Lift 12t mast (can be used on lower capacity models)		X
Mast tilt - 5° forward / 6° back		X
Mast tilt - 5° forward / 12° back		X
Mast tilt - 15° Forward / 10° back		X
Mast tilt - 15° forward / 12° back	X	
Mast tilt - 20.5° forward / 7° back		X

HANDLING	STD	OPT
2400mm (94.3") Pin type standard carriage	X	
2400mm (94.3") Pin type carriage with simultaneous and independent fork positioner		X
2400mm (94.3") Pin type integral sideshift carriage		X
2400mm (94.3") Pin type integral sideshift carriage with simultaneous fork positioner		X
2400mm (94.3") Pin type integral sideshift carriage with simultaneous and independent fork positioner		X
2400mm (94.5") QD Hook type dual function sideshift carriage with simultaneous and independent fork positioner		X
2400mm (94.4") QD Hook type dual function sideshift carriage with simultaneous fork positioner and 2 auxiliary functions		X
2500mm (98") High load backrest (for lumber applications)		X
1760mm (69") High load backrest		X
2010mm (79") High load backrest		X
Pin type forks (various sizes)		X
Pin type forks for lumber applications		X
Hook type quick disconnect DFSSFP forks (various sizes)		X

H13XDS6 / H13XD6 / H14XDS6 / H14XD6 / H16XD6 / H10XD12 / H12XD12

DRIVE	STD	OPT
12.00 - 20 20PR Trelleborg Pneumatic Bias Ply drive and steer tyres	X	
12.00 - R20 Michelin XZM Radial drive and steer tyres		X
12.00 - R20 Trelleborg Radial drive and steer tyres		X
12.00 - 20 Pneumatic Shaped Solid drive and steer tyres		X
Spare wheels and tyres		X
LIFT	STD	OPT
111cc Dual pump hydraulic system	X	
126cc Dual pump hydraulic system		X
Four mast mounted work lights		X
2 Stage Non Free Lift 16T mast	X	
2 Stage Full Free Lift 16T mast		X
3 Stage Full Free Lift 16T mast		X
Mast tilt - 5° Forward / 6° Back		X
Mast tilt - 5° Forward / 12° Back		X
Mast tilt - 15° Forward / 10° Back		X
Mast tilt - 15° Forward / 12° Back	X	
Mast tilt - 20.5° Forward / 7° Bac		X

HANDLING	STD	OPT
2400mm (94.3") Pin type standard carriage	X	
2400mm (94.3") Pin type carriage with simultaneous and independent fork positioner		X
2400mm (94.3") Pin type integral sideshift carriage		X
2400mm (94.3") Pin type integral sideshift carriage with simultaneous fork positioner		X
2400mm (94.3") Pin type integral sideshift carriage with simultaneous and independent fork positioner		X
2400mm (94.5") QD Hook type dual function sideshift carriage with simultaneous and independent fork positioner		X
2400mm (94.4") QD Hook type dual function sideshift carriage with simultaneous fork positioner and 2 auxiliary functions		X
2500mm (98") high load backrest (for lumber applications)		X
1760mm (69") high load backrest		X
2010mm (79") high load backrest		X
2500mm (98") high load backrest (for lumber applications)		X
Pin type forks (various sizes)		X
Pin type forks for lumber applications		X
Hook type quick disconnect DFSSFP forks (various sizes)		X

H14XD12 / H16XDS9 / H16XD9 / H16XDS12 / H16XD12 / H18XD6 / H18XD9

DRIVE	STD	OPT
12.00 - 20 20 Pneumatic Bias Drive tyres	X	
12.00 - R20 Michelin XZM Radial drive and steer tyres		X
LIFT	STD	OPT
126cc dual pump hydraulic system	X	
Two mast mounted work lights		X
2 Stage Non Free Lift mast 18t	X	
2 Stage Full Free Lift mast 18t		X
3 Stage Full Free Lift mast 18t		X
Mast tilt - 6° Forward / 10° Back	X	
Mast tilt - 10.5° Forward / 12° Back		X
Mast tilt - 15° Forward / 10° Back		X
HANDLING	STD	OPT
2540mm (100") Pin type carriage with mechanical fork locks		X
2540mm (100") Pin type carriage with individual fork positioner		X
2540mm (100") Pin type apron-style sideshift carriage		X
2540mm (100") Pin type apron-style sideshift carriage with individual fork positioner		X
2540mm (100") Dual function sideshift carriage with individual fork positioner with integral forks	X	
2540mm (100") Hook type dual function sideshift carriage with individual fork positioner with Quick Disconnect forks		X
Simultaneous fork positioning		X
2440mm (96") length pin type forks		X
2440mm (96") length hook type forks		X
2440mm (96") length integral forks	X	

* Standard or optional in selected markets. Other options available through Special Products Engineering Department (SPED). Contact Hyster for details.

FRONT END EQUIPMENT - 9-12-16T

PIN TYPE CARRIAGE WITH SIMULTANEOUS AND INDEPENDENT FORK POSITIONER (FOR LUMBER APPLICATIONS)



PIN TYPE STANDARD CARRIAGE



PIN TYPE CARRIAGE WITH SIMULTANEOUS AND INDEPENDENT FORK POSITIONER



PIN TYPE INTEGRAL SIDESHIFT FRAME CARRIAGE



PIN TYPE INTEGRAL SIDESHIFT FRAME CARRIAGE



QD HOOK TYPE DUAL FUNCTION SIDESHIFT WITH - SIMULTANEOUS AND INDEPENDANT FORK POSITIONER



RANGE OF PIN TYPE AND HOOK TYPE FORKS



PIN TYPE CARRIAGE WITHOUT FORK POSITIONER



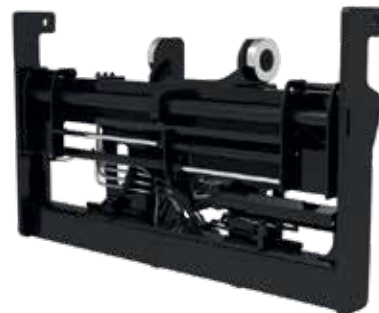
PIN TYPE CARRIAGE WITH FORK POSITIONER



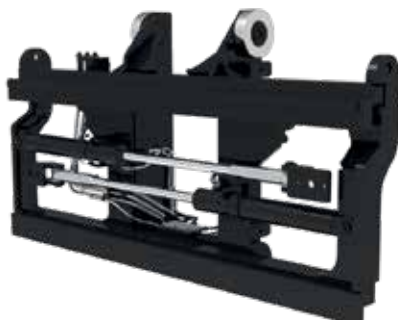
PIN TYPE INTEGRAL SIDESHIFT FRAME CARRIAGE WITHOUT FORK POSITIONER



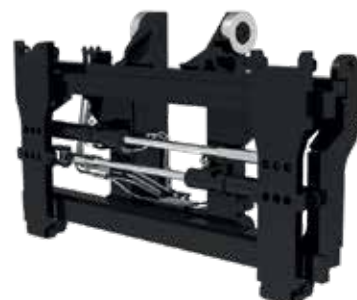
PIN TYPE INTEGRAL SIDESHIFT FRAME CARRIAGE WITH FORK POSITIONER



INTEGRAL HOOK TYPE DUAL FUNCTION SIDESHIFT CARRIAGE WITH FORK POSITIONER



QD HOOK TYPE DUAL FUNCTION SIDESHIFT CARRIAGE WITH FORK POSITIONER






Hyster Pacific

1/23 Rowood Road, Prospect NSW 2148
Tel: +61 (2) 9795 3800 Fax: +61 (2) 9792 8484

Hyster Asia

16 Tuas Avenue 20, Singapore 638827
Tel: +65 6863 3387 Fax: +65 6863 3349

Visit us online at www.hyster.com

© Hyster Asia Pacific 2023. All rights reserved. HYSTER, , and Strong Partners. Tough Trucks are trademarks of Hyster-Yale Group, Inc. Specifications and details in this brochure are subject to change without prior notification. Please consult with your Hyster dealer for the most up to date information and to confirm exact capacities.