



**STRONG PARTNERS.
TOUGH TRUCKS.™**

H4.0-5.0UT

INTERNAL COMBUSTION COUNTERBALANCED FORKLIFT

WWW.HYSTER.COM

The UT series was developed for your customers who need a no-nonsense truck that meets the need and makes the move, but is also backed by the power of the Hyster name.

Capacity Range

The capacity range consists of 4,000 – 5,000kg I.C.E. counterbalanced, pneumatic tire forklift trucks, available in three different capacities (lift and load center):

- 4,000KG - H4.0UT
- 4,500KG - H4.5UT
- 5,000KG - H5.0UT

Each model is available with diesel 2 speed forward/1 reverse powershift transmission. A wide range of features and options are available, including multiple front end equipment options, to accommodate your application requirements.

Ergonomic Design

The ergonomically designed operator compartment, with a familiar automotive layout, means that operators will be able to work more comfortably.

A full suspension seat offers adjustable comfort. An operator presence system is standard.

- 3.5" LCD display
- Wide view mast
- Low step height
- Spacious foot room
- Dual suspension system (transmission and operator)
- Small diameter steering wheel with adjustable tilt steering column

Low Cost of Ownership

Easy access to serviceable components and a clean configuration means maintenance can be performed more easily.

The use of high quality, robust components, efficient filtration and excellent cooling boosts reliability and helps to decrease wear and tear. This, together with the convenient availability of cost-effective replacement parts helps to reduce service maintenance requirements and costs.

- Large access area for service and repairs
- Simple components
- Computer-based diagnostics not required

Durable and Reliable

- One-piece, welded, high strength overhead guard
- Muffler and engine protective system
- Low center of gravity
- Heavy duty transmission

ENGINEERED FOR DRIVERS WITH COMFORT, SAFETY AND ERGONOMICS



3.5" LCD Display

The 3.5" LCD display is conveniently located where the operator can check data frequently and easily.



Exchangeable Components

The engine cover, instrument panel, display and most other components are exchangeable with other capacities in the same range. Front fenders are adaptable to single or dual wheel configuration.



Spacious Footwell

Strategically placed pedals aid in providing a spacious foot area, helping to reduce operator fatigue and increase comfort.



Suspension Seat

A full suspension seat offers adjustable comfort. An operator presence system is standard.



Small Diameter Steering Wheel with Adjustable Steer Column

The 300mm diameter steering wheel is responsive and provides 8 degrees of tilt adjustment to comfortably accommodate most operators.



High-Strength Overhead Guard

One-piece, welded, high strength overhead guard is made of profiled steel to enhance operator confidence.



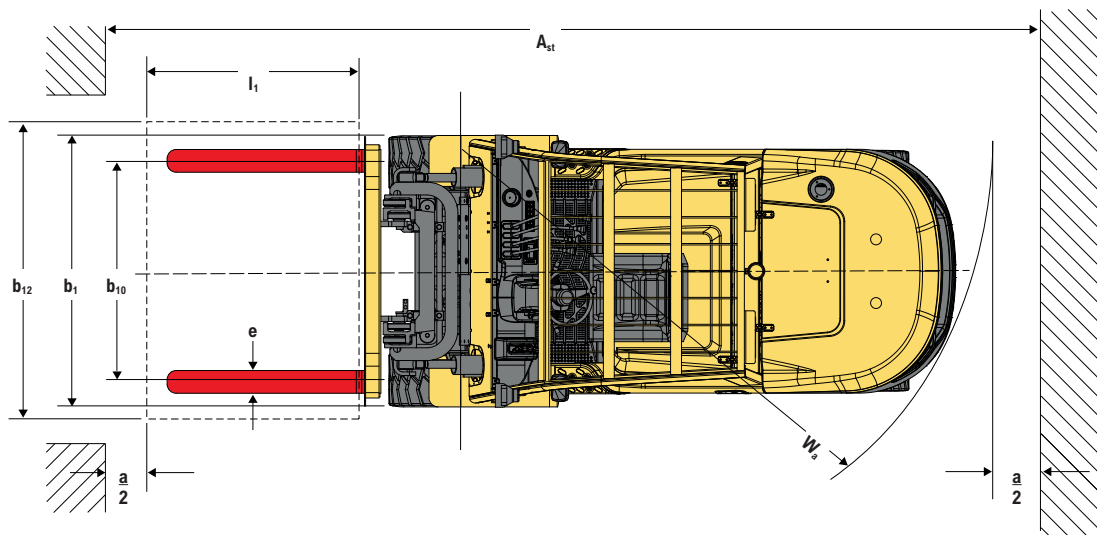
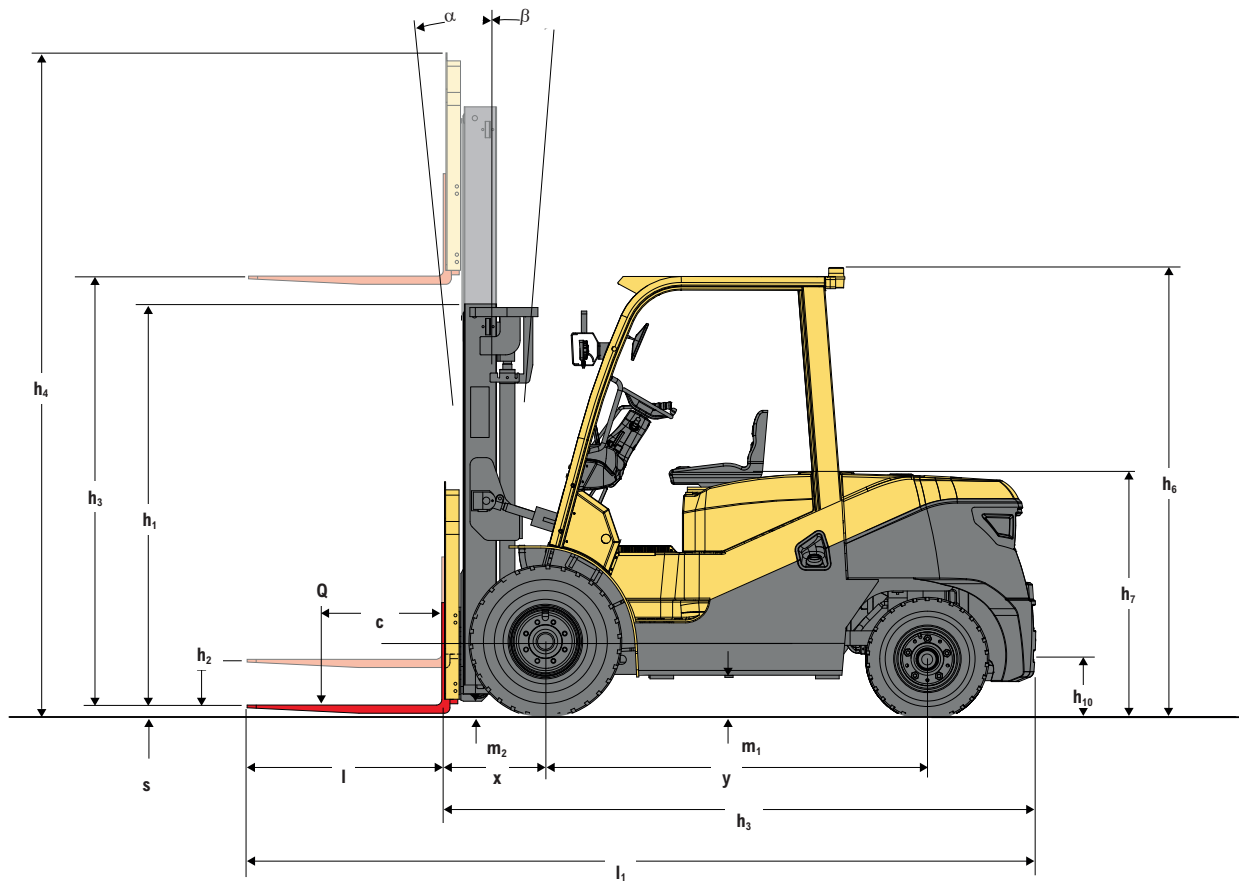
Good Through-Mast Visibility

The wide view mast delivers excellent visibility of the load and operator's forward field of view. The mast is designed with a composite roller structure.



Large Access Area for Service and Repairs

The UT series features a reliable and dependable engine with easy access to the engine compartment, helping to make service and maintenance easier.



SPECIFICATIONS

GENERAL	1.1	Manufacturer			HYSTER	HYSTER	HYSTER	
	1.2	Model designation			H4.OUT	H4.5UT	H5.OUT	
	1.3	Power: battery, diesel, LPG, electric mains			Diesel	Diesel	Diesel	
	1.4	Operation type			Seat	Seat	Seat	
	1.5	Load capacity	Q	kg	4000	4500	5000	
	1.6	Load center	c	mm	500	500	500	
	1.8	Load distance	x	mm	575	575	580	
	1.9	Wheelbase	y	mm	2100	2100	2100	
	WEIGHT	2.1	Unladen weight		kg	6230	6500	7010
2.2		Axle loading, laden front/rear		kg	9014/1216	9766/1234	10900/1200	
2.3		Axle loading without load, front/rear		kg	2978/3252	2837/3663	3160/3850	
WHEELS	3.1	Tires: P = pneumatic, V = cushion, SE = super elastic			P	P	P	
	3.2	Tire size, front			300-15-21PR	300-15-18PR	300-15-18PR	
	3.3	Tire size, rear			7.00-12-15PR	7.00-12-12PR	7.00-12-12PR	
	3.5	Number of wheels, front/rear (X = driven)			2 X 2	2 X 2	2 X 2	
	3.6	Track width, front	b10	mm	1190	1190	1190	
DIMENSIONS	3.7	Track width, rear	b11	mm	1130	1130	1130	
	4.1	Mast tilt, forward α /back β	α / β	degrees	6/12	6/12	6/12	
	4.2	Height of mast, lowered	h1	mm	2250	2250	2250	
	4.3	Free lift	h2	mm	150	150	155	
	4.4	Lift height	h3	mm	3000	3000	3000	
	4.5	Height of mast, extended	h4	mm	4260	4260	4260	
	4.7	Height to top of overhead guard	h6	mm	2250 (2400)	2250 (2400)	2250 (2400)	
	4.8	Seat height	h7	mm	1350	1350	1350	
	4.12	Towing coupling height	h1	mm	340	340	340	
	4.19	Overall length	l1	mm	4280	4280	4345	
	4.20	Length to face of forks	l2	mm	3210	3210	3275	
	4.21	Overall width, standard/dual	b1	mm	1490	1490	1490	
	4.22	Fork dimensions ISO2331	s/e/l	mm	50/150/1070	50/150/1070	55/150/1070	
	4.23	Fork carriage to DIN 15173. Class, A/B		mm	ISO 3A	ISO 3A	ISO 3A	
	4.24	Fork carriage width	b3	mm	1380	1380	1380	
	4.31	Ground clearance under mast, with load	m1	mm	155/130	155/130	155/130	
	4.32	Ground clearance at center of wheelbase	m2	mm	186	186	186	
	4.33	Load dimension b12 x l6 crossways	b12 x l6	mm	1000 x 1000	1000 x 1000	1000 x 1000	
	4.34	Aisle width with predetermined load dimensions	Ast	mm	4625	4625	4685	
	4.34.1	Aisle width with pallets 1000mm x 1200mm crosswise	Ast	mm	4625	4625	4685	
	4.34.2	Aisle width with pallets 800mm x 1200mm crosswise	Ast	mm	4425	4425	4485	
	4.35	Outer turning radius	Wa	mm	2850	2850	2905	
	4.36	Inner turning radius	b13	mm	100	100	100	
	4.42	Step height (from ground to running board)		mm	885	885	885	
	4.43	Step height (between intermediate steps and floor)		mm	520	520	520	
	PERFORMANCE	5.1	Travel speed laden/unladen - Shift 2		km/h	24/25	24/25	25/27
		5.1	Travel speed laden/unladen - Shift 1		km/h	17/18	17/18	17/18
		5.1.1	Travel speed, laden/unladen, backward - Shift 2		km/h	-	-	-
		5.1.1	Travel speed, laden/unladen, backward - Shift 1		km/h	19/20	19/20	19/20
		5.2	Lifting speed laden/unladen		m/s	530/560	530/560	530/560
		5.3	Lowering speed laden/unladen		m/s	480/500	480/500	480/500
		5.6	Maximum drawbar pull laden/unladen		N	30/23	30/23	30/23
5.6.1		Drawbar pull laden/unladen, @ 1.6km/h		N	25/22	25/22	25/22	
5.6.2		Drawbar pull laden/unladen, @ 4.8km/h		N	19/16.5	19/16.5	19/16.5	
5.7		Gradeability laden/unladen, @ 1.6km/h		%	24/25	22/25	20/25	
COMBUSTION ENGINE	5.9	Acceleration time with/without load (S) 15m		s	5.05(S1)/4.76(S2)	5.21(S1)/4.86(S2)	5.41(S1)/5.06(S2)	
	5.9	Acceleration time with/without load (S) 15m		s	4.15(S1)/3.95(S2)	4.32(S1)/4.15(S2)	4.52(S1)/4.35(S2)	
	5.10	Service brake			Hydraulic	Hydraulic	Hydraulic	
	7.1	Engine manufacturer/type			Mitsubishi S6S	Mitsubishi S6S	Mitsubishi S6S	
	7.2	Engine output, in accordance with ISO1585		Kw	52	52	52	
	7.3	Governed speed		min-1	2300	2300	2300	
	7.4	Number of cylinders/displacement		(-) / (cm ³)	6/4966	6/4966	6/4966	
	7.5	Fuel consumption in accordance with VDI cycle		l/h or kg/h	5.9	6.1	6.4	
	7.6	Turnover output		t/h	270t/h	300t/h	345t/h	
	7.7	Energy consumption at turnover output		l/h or kg/h	7.77kg/h	8.07kg/h	8.37kg/h	
ADDITIONAL DATA	8.1	Type of drive unit			e-hydraulic	e-hydraulic	e-hydraulic	
	10.1	Operating pressure for attachments		bar	19.5	19.5	19.5	
	10.2	Oil volume for attachments		l/min	70	70	70	
	10.3	Hydraulic oil tank, capacity		l	108	108	108	
	10.4	Fuel tank, capacity		l	100	100	100	
	10.7	Average noise level at operator's ear EN 12053		dB (A)	88	88	88	
	10.7.1	Sound power level during the workcycle		dB (A)	109.6	109.6	109.6	
	10.8	Towing coupling, type DIN 15170			Pin	Pin	Pin	

MAST TYPE	Max. fork lift	Overall extended height						Free lift				Load distance		Mast tilt		Capacity 500mm load center Front single tire			Mast weight	
		Lowered height		Without load backrest		With load backrest		Without load backrest		With load backrest		4.0-4.5t	5.0t	F	B	4.0t	4.5t	5.0t	4.0-4.5t	5.0t
		4.0-4.5t	5.0t	4.0-4.5t	5.0t	4.0-4.5t	5.0t	4.0-4.5t	5.0t	4.0-4.5t	5.0t	4.0-4.5t	5.0t	degrees	degrees	kg	kg	kg	kg	kg
		mm	mm	mm	mm	mm	mm	mm	mm	mm	mm	mm	mm	mm						
2-STAGE LFL	3000	2250	2250	3850	3850	4260	4260	150	155	150	155	575	580	6	12	4000	4500	5000	1310	1325
	3300	2400	2400	4150	4150	4560	4560	150	155	150	155	575	580	6	12	4000	4500	5000	1335	1350
	3500	2500	2500	4350	4350	4760	4760	150	155	150	155	575	580	6	12	4000	4500	5000	1360	1375
	3700	2600	2600	4600	4600	5010	5010	150	155	150	155	575	580	6	12	4000	4500	5000	1370	1385
	4000	2800	2800	4850	4850	5260	5260	150	155	150	155	575	580	6	12	3800	4250	4750	1420	1435
	4500	3050	3050	5350	5350	5760	5760	150	155	150	155	575	580	6	6	3400	3800	4250	1490	1505
	5000	3300	3300	5850	5850	6260	6260	150	155	150	155	575	580	6	6	2800	3150	3500	1540	1555
	5500	3600	3600	6350	6350	6760	6760	150	155	150	155	575	580	3	6	2250	2800	2850	1630	1645
2-STAGE FF	3000	2250	2250	3800	3800	4210	4210	1425	1425	1030	1425	585	590	6	12	4000	4500	5000	1420	1435
	3300	2400	2400	4100	4100	4510	4510	1575	1575	1180	1575	585	590	6	12	3960	4460	4960	1430	1465
	3500	2500	2500	4300	4300	4710	4710	1675	1675	1280	1675	585	590	6	12	3920	4420	4920	1470	1485
	3750	2625	2625	4550	4550	4960	4960	1800	1800	1405	1800	585	590	6	12	3850	4350	4850	1500	1515
	4000	2800	2800	4800	4800	5210	5210	1975	1975	1580	1975	585	590	6	12	3750	4250	4750	1540	1555
3-STAGE FFL	4000	2110	2110	4860	4860	5260	5260	1270	1270	885	1270	630	635	6	6	3600	4000	4500	1760	1775
	4350	2235	2235	5210	5210	5610	5610	1395	1395	1010	1395	630	635	6	6	3400	3800	4250	1800	1815
	4500	2285	2285	5360	5360	5760	5760	1445	1445	1060	1445	630	635	6	6	3200	3600	4000	1820	1835
	4800	2385	2385	5660	5660	6060	6060	1545	1545	1160	1545	630	635	6	6	3000	3350	3750	1860	1875
	5000	2485	2485	5860	5860	6260	6260	1645	1645	1260	1645	630	635	6	6	2800	3150	3500	1900	1915
	5400	2610	2610	6260	6260	6660	6660	1770	1770	1380	1770	630	635	3	6	2250	2550	2850	1940	1955
	6000	2850	2850	6860	6860	7260	7260	2010	2010	1625	2010	630	635	3	6	1700	1950	2200	2090	2105
6500	3050	3050	7360	7360	7760	7760	2210	2210	1825	2210	630	635	3	6	1200	1500	1700	2240	2255	

Capacities are with standard carriage.

ENGINE SPECIFICATION	Mitsubishi 5.0L, Diesel
	6-cylinder overhead valve
	Displacement 4.996 liter
	Torque 250Nm @ 1,600rpm
	Power 52kW @ 2,300rpm
	Air filtration two stage, dry type
	IDI fuel injection system

NOTICE:

Care must be exercised when handling elevated loads. Operators must be trained and must read, understand and follow the instructions contained in the Operating Manual.

All values are nominal values and they are subject to tolerances. For further information, please contact the manufacturer.

Hyster products are subject to change without notice.

Lift trucks illustrated may feature optional equipment. Values may vary with alternative configurations.

Specification data is based on VDI 2198.

> OPTIONS

HYSTER® UT Series trucks feature a comprehensive range of standard equipment, with options to suit the specific needs of your application, including:

- 4th function hydraulics (+clamping function)
- Pneumatic-shaped solid tires
- Various fork lengths
- Integral sideshift
- Rear, LED work light
- Strobe light
- Backup alarm
- High air intake with pre-cleaner
- Tilt cylinder boots
- Various mast heights
- Polycarbonate top screen
- Front window with wiper
- Alternate tilt angles (mast)


Please refer to the Price List for full option configurations.



**STRONG PARTNERS.
TOUGH TRUCKS.™**

Hyster Company
P.O. Box 7006
Greenville, North Carolina
27835-7006
Part No. H4.0-5.OUT-B
07/2021 Litho in U.S.A.

Visit us online at www.hyster.com or call us at **1-800-HYSTER-1**.

© Hyster Company. 2021, all rights reserved. Hyster,  and STRONG PARTNERS. TOUGH TRUCKS. are trademarks of Hyster-Yale Group, Inc.

Hyster products are subject to change without notice. Trucks may be shown with optional equipment.

4530HBC4BC001_E_EN-US_V1R0_072021