

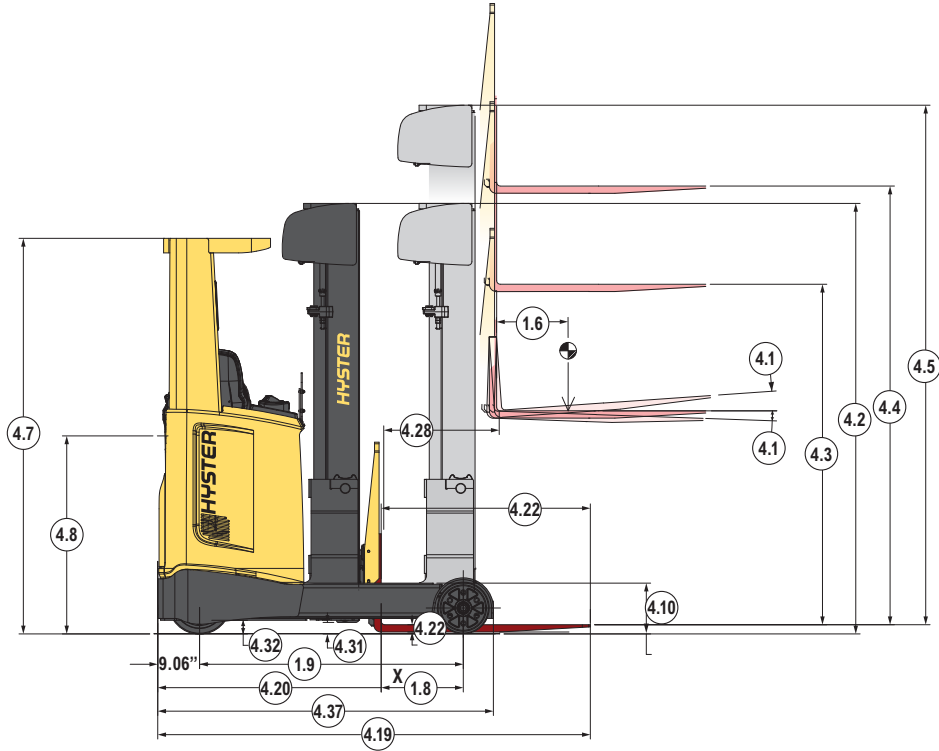
R1.4-2.5 SERIES



MOVING MAST INDOOR REACH TRUCK
PRODUCT TECHNICAL GUIDE



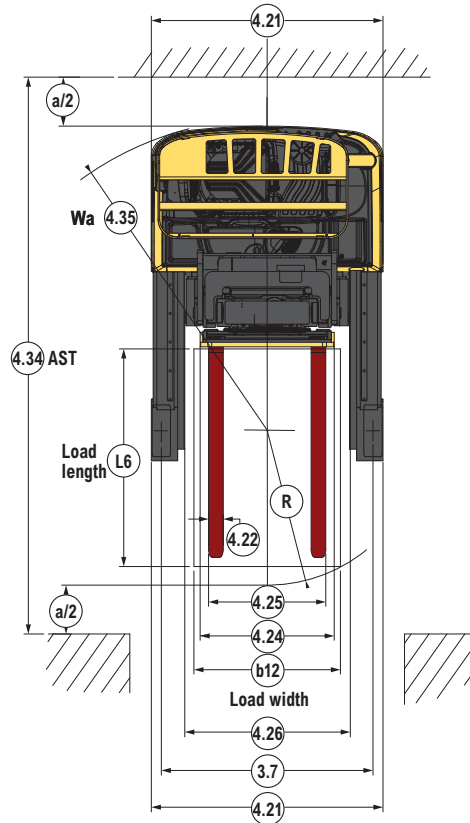
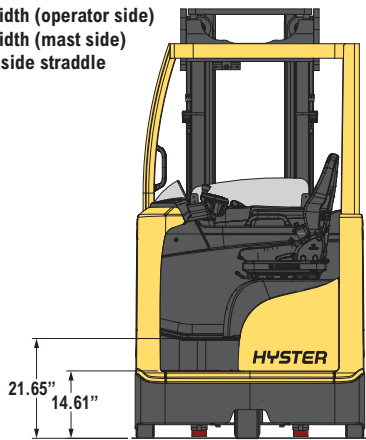
DIMENSIONS



$$R = \sqrt{(L6 - X)^2 + (b12/2)^2}$$

a = Clearance = 8"
 L6 = Load length
 b12 = Load width
 AST = Wa + R + a
 AST = Right Angle Stack

B1 = Overall width (operator side)
 B2 = Overall width (mast side)
 B4 = Overall inside straddle



All AST dims provided include 8" of total clearance. Circled dimensions correspond to the line numbers on the tabulated chart inside the technical guide. Dimensions are in inches (millimeters).

		Hyster	
GENERAL	1.1	Manufacturer	
	1.2	Manufacturer's type designation	R1.4 R1.6
	1.3	Drive: electric, diesel, gasoline, LPG	Electric (battery)
	1.4	Operator type	Seated
	1.5	Rated capacity/rated load	3000 (1400) 3500 (1600)
	1.6	Load center distance	24 (600)
WEIGHT	1.8	Load distance, center of drive axle to fork ^{9, 10, 15, 16}	15.83 (402) 17.80 (452)
	1.9	Wheelbase	55.12 (1400) 57.09 (1450)
	2.1	Service weight	6861 (3112) 6971 (3162)
	2.3	Axle loading, NL front/rear ⁴	4359/2502 (1977/1135) 4449/2522 (2018/1144)
	2.4	Axle loading fork advanced, RL front/rear	1504/8444 (682/3830) 1325/9176 (601/4162)
WHLSTIRES	2.5	Axle loading fork retracted, RL front/rear	3920/6030 (1778/2735) 4085/6413 (1853/2909)
	3.1	Tires, front/rear	NDIItthane/NDIItthane
	3.2	Tire size, front	13.5 x 5.5 (343 x 140)
	3.3	Tire size, rear	11.2 x 3.9 (285 x 100)
	3.5	Wheels, number front/rear (x = driven wheels)	1x/2
DIMENSIONS	3.7	Tread, rear	45.47 (1155)
	4.1	Tilt of mast/fork carriage forward/backward	2/4
	4.2	Height of mast, lowered	See mast tables
	4.3	Free lift	See mast tables
	4.4	Lift	See mast tables
	4.5	Height, mast extended ¹	See mast tables
	4.7	Height of overhead guard (cabin) ^{2, 14}	85.63 (2175)
	4.8	Seat height relating to SIP	42.60 (1082)
	4.10	Height of wheel arms	12.13 (308)
	4.19	Overall length	93.66 (2379)
	4.20	Length to face of forks ^{15,16}	48.39 (1229)
	4.21	Overall width ^{3, 12, 13}	49.80 (1265)
	4.22	Fork dimensions DIN ISO 2331	1.6/3.1/45.3 (40/80/1150) 1.6/4.7/45.3 (40/120/1150)
	4.23	Fork carriage ISO 2328, class/type A, B	2A
	4.24	Fork carriage width	27.56 (700)
	4.25	Distance between fork arms, min/max ⁷	8.66/25.20 (220/640) 10.24/26.77 (260/680)
	4.26	Distance between wheel arms/loading surfaces	35.43 (900)
	4.28	Reach distance	23.03 (585) 25.0 (635)
	4.31	Ground clearance, RL, below mast	2.95 (75)
	4.32	Ground clearance, center of wheelbase	3.35 (85)
	4.34.1	Aisle width for pallets 39.3"x47.2" (1000 mm x 1200 mm) across - (L6 x b12) ^{11,15, 16}	107.0 (2718) - See charts 107.5 (2731) - See charts
	4.34.2	Aisle width for pallets 31.5"x47.2" (800 mm x 1200 mm) lengthwise - (b12 x L6) ^{11,15, 16}	108.8 (2764) - See charts 108.9 (2767) - See charts
	4.35	Turning radius (Wa)	65.79 (1671) 67.64 (1718)
4.37	Length across wheel arms	70.67 (1795) 72.64 (1845)	
4.42	Step height (from ground to running board)	21.65 (550)	
4.43	Step height (between intermediate steps between running board and floor)	14.61 (371)	
PERFORMANCE	5.1	Travel speed, RL NL ⁶ Std (opt)	6.8/6.8 (11/11) {8.7/8.7 (14/14)}
	5.1.1	Travel speed, RL NL, backwards ⁶ Std (opt)	6.8/6.8 (11/11) {8.7/8.7 (14/14)}
	5.2	Lift speed, RL NL ⁶ Std (opt)	72.8/124 (0.37/0.63) {92.5/143.7 (0.47/0.73)} 63/124 (0.32/0.63) {82.7/143.7 (0.42/0.73)}
	5.3	Lowering speed, RL/NL	108.3 (0.55/0.55)
	5.4	Reaching speed, RL/NL	33.5/33.5 (0.17/0.17)
	5.7	Gradeability, RL/NL ^{5,17}	7/10 (15/20)
	5.8	Max. gradeability RL/NL ¹⁷	15/20
	5.10	Service brake	Electric
	6.1	Drive motor, S2 60 minute rating	9.6
	6.2	Lift motor, S3 15% rating	14
ELECTRIC	6.4	Battery voltage/nominal capacity	48/420 ⁵
	6.5	Battery weight ⁶	1653 (750)
OTHER	8.1	Type of drive unit	AC
	10.1	Operating pressure for attachments	180
	10.2	Oil volume for attachment	20
	10.7	Sound pressure level at the driver's seat	< 69.7

1 With load backrest add 20" (R1.4 - R1.6 - R1.6N - R1.6HD), add 17.44" (R2.0 - R2.5 - R2.0HD).
 2 With beacon add 4.73"; with OHG grid protector add 1.18"; with OHG screen protector add 1.77".
 3 With load wheels lateral covers: 50.78" (R1.4 - R1.6 - R2.0 - R1.6HD), 45.39" (R1.6N), 54.06" (R2.5 - R2.0HD).
 4 Forks retracted.
 5 See battery tables.
 6 Values in brackets { } are optional.
 7 Side shift stroke is +/-2.95" on all trucks. Reduced to +/-0.98" for R1.6N.
 8 These values may vary of +/- 5%.
 9 For models R1.4 - 1.6 with mast 4-stg: Add 2.09"
 10 For models R2.0 - 2.5 with mast 4-stg: Add 4.25"
 11 For AST with mast 4-stg, Contact your local dealer or applications engineering
 12 For model R1.6N with work lights on 35.4" wide carriage add 4.45"

13 With work lights on 43.3" Wide carriage: for model R1.6N add 12.32",
 For models R1.4 - R1.6 - R2.0 - R1.6HD add 6.81", For models R2.5 - R2.0HD add 3.66"
 14 With PAL side line lights add 5.32"; With double work light to front add 8.66"
 15 For model R1.4 With mast lift height <= 216.5" And battery 420 ah and operator shield transparent (lexan) / wire mesh screen: add 2.83" To 4.20, Subtract 2.83" From 1.8, Aisle width 4.34.1 = 109.05", Aisle width 4.34.2 = 111.38"
 16 For model R1.6 With mast lift height <= 216.5 in and battery 420 ah and operator shield transparent (lexan) / wire mesh screen: add 2.83" To 4.20, Subtract 2.83" From 1.8, Aisle width 4.34.1 = 109.5", Aisle width 4.34.2 = 111.42"
 17 Gradeability grades based on motor thermal capacity, torque available and brake requirements

† NOTE: Performance specifications/ratings are for truck equipped as described under standard equipment in this specification sheet. Performance specifications are affected by the condition of the vehicle and how it is equipped, as well as by the nature and condition of the operating area. Specifications are subject to change and the proposed application should be discussed with your authorized Hyster® dealer.

†† All values are nominal values and are subject to tolerances. For further information on this dimension, please contact your local Hyster® dealer.

Above specifications, unless otherwise listed, are for a standard truck without optional equipment. Hyster® products are subject to change without notice. Lift trucks illustrated may feature optional equipment. See truck dimensions for batteries chart.

SPECIFICATIONS

			Hyster R1.6N	Hyster R1.6HD
GENERAL	1.1	Manufacturer		
	1.2	Manufacturer's type designation		
	1.3	Drive: electric, diesel, gasoline, LPG	Electric (battery)	Electric (battery)
	1.4	Operator type	Seated	Seated
	1.5	Rated capacity/rated load	3500 (1600)	3500 (1600)
	1.6	Load center distance	24 (600)	24 (600)
	1.8	Load distance, center of drive axle to fork ^{9, 10, 15, 16}	15.04 (382)	12.13 (308)
	1.9	Wheelbase	57.09 (1450)	57.09 (1450)
WEIGHT	2.1	Service weight	6859 (3111)	8902 (4038)
	2.3	Axle loading, NL front/rear ⁴	4237/2621 (1922/1189)	5329/3574 (2417/1621)
	2.4	Axle loading fork advanced, RL front/rear	1254/9132 (569/4142)	1947/10483 (883/4755)
	2.5	Axle loading fork retracted, RL front/rear	3704/6684 (1680/3032)	4788/7641 (2172/3466)
	3.1	Tires, front/rear	NDIItthane/NDIItthane	NDIItthane/NDIItthane
WHLs/TIRES	3.2	Tire size, front	13.5 x 5.5 (343 x 140)	13.5 x 5.5 (343 x 140)
	3.3	Tire size, rear	11.2 x 3.9 (285 x 100)	11.2 x 3.9 (285 x 100)
	3.5	Wheels, number front/rear (x = driven wheels)	1x/2	1x/2
	3.7	Tread, rear	40.35 (1025)	45.47 (1155)
	4.1	Tilt of mast/fork carriage forward/backward	degrees	2/4
	4.2	Height of mast, lowered	in (mm)	See mast tables
	4.3	Free lift	in (mm)	See mast tables
DIMENSIONS	4.4	Lift	in (mm)	See mast tables
	4.5	Height, mast extended ¹	in (mm)	See mast tables
	4.7	Height of overhead guard (cabin) ^{2, 14}	in (mm)	85.63 (2175)
	4.8	Seat height relating to SIP	in (mm)	42.60 (1082)
	4.10	Height of wheel arms	in (mm)	12.13 (308)
	4.19	Overall length	in (mm)	96.40 (2449)
	4.20	Length to face of forks ^{15, 16}	in (mm)	51.14 (1299)
	4.21	Overall width ^{3, 12, 13}	in (mm)	44.29 (1125)
	4.22	Fork dimensions DIN ISO 2331	in (mm)	1.6/4.7/45.3 (40/120/1150)
	4.23	Fork carriage ISO 2328, class/type A, B		2A
	4.24	Fork carriage width	in (mm)	27.56 (700)
	4.25	Distance between fork arms, min/max ⁷	in (mm)	10.24/26.77 (260/680)
	4.26	Distance between wheel arms/loading surfaces	in (mm)	31.30 (795)
	4.28	Reach distance	in (mm)	22.24 (565)
	4.31	Ground clearance, RL, below mast	in (mm)	2.95 (75)
	4.32	Ground clearance, center of wheelbase	in (mm)	3.35 (85)
	4.34.1	Aisle width for pallets 39.3"x47.2" (1000 mm x 1200 mm) across - (L6 x b12) ^{11, 15, 16}	in (mm)	108.7 (2762) - See charts
	4.34.2	Aisle width for pallets 31.5"x47.2" (800 mm x 1200 mm) lengthwise - (b12 x L6) ^{11, 15, 16}	in (mm)	110.7 (2811) - See charts
	4.35	Turning radius (Wa)	in (mm)	66.93 (1700)
	4.37	Length across wheel arms	in (mm)	72.64 (1845)
	4.42	Step height (from ground to running board)	in (mm)	21.65 (550)
	4.43	Step height (between intermediate steps between running board and floor)	in (mm)	14.61 (371)
	PERFORMANCE	5.1	Travel speed, RL NL ⁶ Std {Opt}	mph (km/h)
5.1.1		Travel speed, RL NL, backwards ⁶ Std {Opt}	mph (km/h)	6.8/6.8 (11/11) {8.7/8.7 (14/14)}
5.2		Lift speed, RL NL ⁶ Std {Opt}	ft/min (m/s)	63/124 (0.32/0.63) {82.7/143.7 (0.42/0.73)}
5.3		Lowering speed, RL/NL	ft/min (m/s)	108.3/108.3 (0.55/0.55)
5.4		Reaching speed, RL/NL	ft/min (m/s)	33.5/33.5 (0.17/0.17)
5.7		Gradeability, RL/NL ^{6, 17}	%	7/10 {14/20}
5.8		Max. gradeability RL/NL ¹⁷	%	14/20
5.10		Service brake		Electric
6.1		Drive motor, S2 60 minute rating	kW	9.6
6.2		Lift motor, S3 15% rating	kW	14
ELECTRIC	6.4	Battery voltage/nominal capacity	(V)/(Ah)	48/420 ⁵
	6.5	Battery weight ⁸	lb (kg)	1653 (750)
	8.1	Type of drive unit		AC
OTHER	10.1	Operating pressure for attachments	bar	180
	10.2	Oil volume for attachment	l/min	20
	10.7	Sound pressure level at the driver's seat	dB(A)	< 69.7

1 With load backrest add 20" (R1.4 - R1.6 - R1.6N - R1.6HD), add 17.44" (R2.0 - R2.5 - R2.0HD).

2 With beacon add 4.73"; with OHG grid protector add 1.18"; with OHG screen protector add 1.77".

3 With load wheels lateral covers: 50.78" (R1.4 - R1.6 - R2.0 - R1.6HD), 45.39" (R1.6N), 54.06" (R2.5 - R2.0HD).

4 Forks retracted.

5 See battery tables.

6 Values in brackets {} are optional.

7 Side shift stroke is +1-2.95" on all trucks. Reduced to +1-0.98" for R1.6N.

8 These values may vary of +/- 5%.

9 For models R1.4-1.6 with mast 4-stg: Add 2.09"

10 For models R2.0-2.5 with mast 4-stg: Add 4.25"

11 For AST with mast 4-stg, Contact your local dealer or applications engineering

12 For model R1.6N with work lights on 35.4" wide carriage add 4.45"

† NOTE: Performance specifications/ratings are for truck equipped as described under standard equipment in this specification sheet. Performance specifications are affected by the condition of the vehicle and how it is equipped, as well as by the nature and condition of the operating area. Specifications are subject to change and the proposed application should be discussed with your authorized Hyster® dealer.

†† All values are nominal values and are subject to tolerances. For further information on this dimension, please contact your local Hyster® dealer.

Above specifications, unless otherwise listed, are for a standard truck without optional equipment. Hyster® products are subject to change without notice.

Lift trucks illustrated may feature optional equipment. See truck dimensions for batteries chart.

13 With work lights on 43.3" wide carriage: for model R1.6N add 12.32",

for models R1.4 - R1.6 - R2.0 - R1.6HD add 6.81", for models R2.5 - R2.0HD add 3.66"

14 With PAL side line lights add 5.32"; with double work light to front add 8.66"

15 For model R1.4 with mast lift height <= 216.5" and battery 420 Ah and operator shield transparent (lexan) / wire mesh screen: Add 2.83" to 4.20, Subtract 2.83" from 1.8, Aisle width 4.34.1 = 109.05", Aisle width 4.34.2 = 111.38"

16 For model R1.6 with mast lift height <= 216.5 in and battery 420 Ah and operator shield transparent (Lexan) / wire mesh screen: Add 2.83" to 4.20, Subtract 2.83" from 1.8, Aisle width 4.34.1 = 109.5", Aisle width 4.34.2 = 111.42"

17 Gradeability grades based on motor thermal capacity, torque available and brake requirements

		GENERAL	
		Hyster	Hyster
1.1	Manufacturer	R2.0	R2.0HD
1.2	Manufacturer's type designation	Electric (battery)	Electric (battery)
1.3	Drive: electric, diesel, gasoline, LPG	Seated	Seated
1.4	Operator type	4500 (2000)	4500 (2000)
1.5	Rated capacity/rated load	24 (600)	24 (600)
1.6	Load center distance	in (mm)	16.32 (415)
1.8	Load distance, center of drive axle to fork ^{9, 10, 15, 16}	in (mm)	59.06 (1500)
1.9	Wheelbase	lb (kg)	7970 (3615)
2.1	Service weight	lb (kg)	4985/2985 (2261/1354)
2.3	Axle loading, NL front/rear ⁴	lb (kg)	1479/10897 (671/4943)
2.4	Axle loading fork advanced, RL front/rear	lb (kg)	4480/7899 (2032/3583)
2.5	Axle loading fork retracted, RL front/rear	lb (kg)	NDIItthane/NDIItthane
3.1	Tires, front/rear		NDIItthane/NDIItthane
3.2	Tire size, front	in (mm)	13.5 x 5.5 (343 x 140)
3.3	Tire size, rear	in (mm)	11.2 x 3.9 (285 x 100)
3.5	Wheels, number front/rear (x = driven wheels)		1x/2
3.7	Tread, rear	in (mm)	45.47 (1155)
4.1	Tilt of mast/fork carriage forward/backward	degrees	2/4
4.2	Height of mast, lowered	in (mm)	See mast tables
4.3	Free lift	in (mm)	See mast tables
4.4	Lift	in (mm)	See mast tables
4.5	Height, mast extended ¹	in (mm)	See mast tables
4.7	Height of overhead guard (cabin) ^{2, 14}	in (mm)	85.63 (2175)
4.8	Seat height relating to SIP	in (mm)	42.60 (1082)
4.10	Height of wheel arms	in (mm)	12.13 (308)
4.19	Overall length	in (mm)	96.50 (2451)
4.20	Length to face of forks ^{15, 16}	in (mm)	51.79 (1316)
4.21	Overall width ^{3, 12, 13}	in (mm)	49.80 (1265)
4.22	Fork dimensions DIN ISO 2331	in (mm)	1.6/4.7/45.3 (40/120/1150)
4.23	Fork carriage ISO 2328, class/type A, B		2A
4.24	Fork carriage width	in (mm)	27.56 (700)
4.25	Distance between fork arms, min/max ⁷	in (mm)	10.24/26.77 (260/680)
4.26	Distance between wheel arms/loading surfaces	in (mm)	35.43 (900)
4.28	Reach distance	in (mm)	24.13 (613)
4.31	Ground clearance, RL, below mast	in (mm)	2.95 (75)
4.32	Ground clearance, center of wheelbase	in (mm)	3.35 (85)
4.34.1	Aisle width for pallets 39.3"x47.2" (1000 mm x 1200 mm) across - (L6 x b12) ^{11, 15, 16}	in (mm)	110.43 (2805) - See charts
4.34.2	Aisle width for pallets 31.5"x47.2" (800 mm x 1200 mm) lengthwise - (b12 x L6) ^{11, 15, 16}	in (mm)	112.13 (2848) - See charts
4.35	Turning radius (Wa)	in (mm)	69.57 (1767)
4.37	Length across wheel arms	in (mm)	74.61 (1895)
4.42	Step height (from ground to running board)	in (mm)	21.65 (550)
4.43	Step height (between intermediate steps between running board and floor)	in (mm)	14.61 (371)
5.1	Travel speed, RL NL ⁶	mph (km/h)	8.7/8.7 (14/14)
5.1.1	Travel speed, RL NL, backwards ⁶	mph (km/h)	8.7/8.7 (14/14)
5.2	Lift speed, RL NL ⁶	ft/min (m/s)	72.8/126 (0.37/0.64)
5.3	Lowering speed, RL/NL	ft/min (m/s)	108.3/98.4 (0.55/0.50)
5.4	Reaching speed, RL/NL	ft/min (m/s)	33.5/33.5 (0.17/0.17)
5.7	Gradeability, RL/NL ^{6, 17}	%	14/20
5.8	Max. gradeability RL/NL ¹⁷	%	14/20
5.10	Service brake		Electric
6.1	Drive motor, S2 60 minute rating	kW	9.6
6.2	Lift motor, S3 15% rating	kW	14
6.4	Battery voltage/nominal capacity	(V)/(Ah)	48/560 ⁵
6.5	Battery weight ⁸	lb (kg)	2070 (939)
8.1	Type of drive unit		AC
10.1	Operating pressure for attachments	bar	180
10.2	Oil volume for attachment	l/min	20
10.7	Sound pressure level at the driver's seat	dB(A)	<69.7

- With load backrest add 20" (R1.4 - R1.6 - R1.6N - R1.6HD), add 17.44" (R2.0 - R2.5 - R2.0HD).
- With beacon add 4.73"; with OHG grid protector add 1.18"; with OHG screen protector add 1.77".
- With load wheels lateral covers: 50.78" (R1.4 - R1.6 - R2.0 - R1.6HD), 45.39" (R1.6N), 54.06" (R2.5 - R2.0HD).
- Forks retracted.
- See battery tables.
- Values in brackets { } are optional.
- Side shift stroke is +/-2.95" on all trucks. Reduced to +/-0.98" for R1.6N.
- These values may vary of +/- 5%.
- For models R1.4-1.6 with mast 4-stg: Add 2.09"
- For models R2.0-2.5 with mast 4-stg: Add 4.25"
- For AST with mast 4-stg, Contact your local dealer or applications engineering
- For model R1.6N with work lights on 35.4" wide carriage add 4.45"

† NOTE: Performance specifications/ratings are for truck equipped as described under standard equipment in this specification sheet. Performance specifications are affected by the condition of the vehicle and how it is equipped, as well as by the nature and condition of the operating area. Specifications are subject to change and the proposed application should be discussed with your authorized Hyster® dealer.

†† All values are nominal values and are subject to tolerances. For further information on this dimension, please contact your local Hyster® dealer.

Above specifications, unless otherwise listed, are for a standard truck without optional equipment. Hyster® products are subject to change without notice. Lift trucks illustrated may feature optional equipment. See truck dimensions for batteries chart.

- With work lights on 43.3" wide carriage: for model R1.6N add 12.32", for models R1.4 - R1.6 - R2.0 - R1.6HD add 6.81", for models R2.5 - R2.0HD add 3.66"
- With PAL side line lights add 5.32"; with double work light to front add 8.66"
- For model R1.4 with mast lift height <= 216.5" and battery 420 Ah and operator shield transparent (lexan)/wire mesh screen: Add 2.83" to 4.20, Subtract 2.83" from 1.8, Aisle width 4.34.1 = 109.05", Aisle width 4.34.2 = 111.38"
- For model R1.6 with mast lift height <= 216.5 in and battery 420 Ah and operator shield transparent (lexan) / wire mesh screen: Add 2.83" to 4.20, Subtract 2.83" from 1.8, Aisle width 4.34.1 = 109.5", Aisle width 4.34.2 = 111.42"
- Gradeability grades based on motor thermal capacity, torque available and brake requirements

SPECIFICATIONS

			Hyster	
GENERAL	1.1	Manufacturer	R2.5	
	1.2	Manufacturer's type designation	Electric (battery)	
	1.3	Drive: electric, diesel, gasoline, LPG	Seated	
	1.4	Operator type	5500 (2500)	
	1.5	Rated capacity/rated load	24 (600)	
	1.6	Load center distance	20.0 (508)	
	1.8	Load distance, center of drive axle to fork ^{9, 10, 15, 16}	65.75 (1670)	
	1.9	Wheelbase	8902 (4038)	
	WEIGHT	2.1	Service weight	5556/3347 (2520/1518)
2.3		Axle loading, NL front/rear ⁴	1704/12710 (773/5765)	
2.4		Axle loading fork advanced, RL front/rear	5227/9187 (2371/4167)	
2.5		Axle loading fork retracted, RL front/rear	NDIItthane/NDIItthane	
WHLSTIRES		3.1	Tires, front/rear	13.5 x 5.5 (343 x 140)
	3.2	Tire size, front	13.8 x 5.5 (350 x 140)	
	3.3	Tire size, rear	1x2	
	3.5	Wheels, number front/rear (x = driven wheels)	46.57 (1183)	
	3.7	Tread, rear	2/4	
	DIMENSIONS	4.1	Tilt of mast/fork carriage forward/backward	See mast tables
		4.2	Height of mast, lowered	See mast tables
4.3		Free lift	See mast tables	
4.4		Lift	See mast tables	
4.5		Height, mast extended ¹	See mast tables	
4.7		Height of overhead guard (cabin) ^{2, 14}	85.63 (2175)	
4.8		Seat height relating to SIP	42.60 (1082)	
4.10		Height of wheel arms	14.69 (373)	
4.19		Overall length	99.53 (2528)	
4.20		Length to face of forks ^{15, 16}	54.82 (1393)	
4.21		Overall width ^{3, 12, 13}	52.95 (1345)	
4.22		Fork dimensions DIN ISO 2331	1.8/4.7/45.3 (45/120/1150)	
4.23		Fork carriage ISO 2328, class/type A, B	2A	
4.24		Fork carriage width	27.56 (700)	
4.25		Distance between fork arms, min/max ⁷	10.24/26.77 (260/680)	
4.26		Distance between wheel arms/loading surfaces	35.43 (900)	
4.28		Reach distance	29.06 (738)	
4.31		Ground clearance, RL, below mast	2.95 (75)	
4.32		Ground clearance, center of wheelbase	3.35 (85)	
4.34.1		Aisle width for pallets 39.3"x47.2" (1000 mm x 1200 mm) across - (L6 x b12) ^{11, 15, 16}	114.41 (2906) - See charts	
4.34.2		Aisle width for pallets 31.5"x47.2" (800 mm x 1200 mm) lengthwise - (b12 x L6) ^{11, 15, 16}	115.31 (2929) - See charts	
4.35		Turning radius (Wa)	75.98 (1930)	
4.37		Length across wheel arms	82.60 (2098)	
4.42	Step height (from ground to running board)	21.65 (550)		
4.43	Step height (between intermediate steps between running board and floor)	14.61 (371)		
PERFORMANCE	5.1	Travel speed, RL NL ⁶	8.7/8.7 (14/14)	
	5.1.1	Travel speed, RL NL, backwards ⁶	8.7/8.7 (14/14)	
	5.2	Lift speed, RL NL ⁶	59.1/126 (0.30/0.64)	
	5.3	Lowering speed, RL/NL	108.3/98.4 (0.55/0.50)	
	5.4	Reaching speed, RL/NL	33.5/33.5 (0.17/0.17)	
	5.7	Gradeability, RL/NL ^{6, 17}	12/20	
	5.8	Max. gradeability RL/NL ¹⁷	12/20	
	5.10	Service brake	Electric	
	ELECTRIC	6.1	Drive motor, S2 60 minute rating	9.6
		6.2	Lift motor, S3 15% rating	14
6.4		Battery voltage/nominal capacity	48/700 ⁵	
6.5		Battery weight ⁸	2467 (1119)	
OTHER		8.1	Type of drive unit	AC
	10.1	Operating pressure for attachments	180	
	10.2	Oil volume for attachment	20	
	10.7	Sound pressure level at the driver's seat	<69.7	

1 With load backrest add 20" (R1.4 - R1.6 - R1.6N - R1.6HD), add 17.44" (R2.0 - R2.5 - R2.0HD).

2 With beacon add 4.73"; with OHG grid protector add 1.18"; with OHG screen protector add 1.77".

3 With load wheels lateral covers: 50.78" (R1.4 - R1.6 - R2.0 - R1.6HD), 45.39" (R1.6N), 54.06" (R2.5 - R2.0HD).

4 Forks retracted.

5 See battery tables.

6 Values in brackets { } are optional.

7 Side shift stroke is +/-2.95" on all trucks. Reduced to +/-0.98" for R1.6N.

8 These values may vary of +/- 5%.

9 For models R1.4-1.6 with mast 4 stg: Add 2.09"

10 For models R2.0-2.5 with mast 4 stg: Add 4.25"

11 For AST with mast 4 stg, Contact your local dealer or applications engineering

12 For model R1.6N with work lights on 35.4" wide carriage add 4.45"

† NOTE: Performance specifications/ratings are for truck equipped as described under standard equipment in this specification sheet. Performance specifications are affected by the condition of the vehicle and how it is equipped, as well as by the nature and condition of the operating area. Specifications are subject to change and the proposed application should be discussed with your authorized Hyster® dealer.

†† All values are nominal values and are subject to tolerances. For further information on this dimension, please contact your local hyster® dealer.

Above specifications, unless otherwise listed, are for a standard truck without optional equipment. Hyster® products are subject to change without notice.

Lift trucks illustrated may feature optional equipment. See truck dimensions for batteries chart.

13 With work lights on 43.3" wide carriage: for model R1.6N add 12.32", for models R1.4 - R1.6 - R2.0 - R1.6HD add 6.81", for models R2.5 - R2.0HD add 3.66"

14 With PAL side line lights add 5.32"; with double work light to front add 8.66"

15 For model R1.4 with mast lift height <= 216.5" and battery 420 Ah and operator shield transparent (lexan) / wire mesh screen: Add 2.83" to 4.20, Subtract 2.83" from 1.8, Aisle Width 4.34.1 = 109.05", Aisle Width 4.34.2 = 111.38"

16 For model R1.6 with mast lift height <= 216.5 in and battery 420 Ah and operator shield transparent (Lexan) / wire mesh screen: Add 2.83" to 4.20, Subtract 2.83" from 1.8, Aisle width 4.34.1 = 109.5", Aisle Width 4.34.2 = 111.42"

17 Gradeability grades based on motor thermal capacity, torque available and brake requirements

MAST SPECIFICATIONS

R1.4, R1.6, R1.6N - MAST DETAILS, 3-STAGE FULL FREE LIFT				
Model	Lift (4.4)	Free lift (4.3)	Height of mast lowered (4.2)	Height of mast extended w/o LBR (4.5) ¹
	in (mm)	in (mm)	in (mm)	in (mm)
R1.4, R1.6 R1.6N	196 (5000)	64 (1648)	87 (2195)	220 (5563)
	206 (5250)	68 (1734)	90 (2281)	229 (5813)
	216 (5500)	71 (1820)	94 (2367)	239 (6063)
	226 (5750)	75 (1906)	97 (2453)	249 (6313)
	236 (6000)	78 (1992)	100 (2539)	259 (6563)
	246 (6250)	81 (2078)	104 (2625)	269 (6813)
	255 (6500)	85 (2164)	107 (2711)	279 (7063)
	265 (6750)	88 (2250)	111 (2797)	288 (7313)
	275 (7000)	91 (2336)	114 (2883)	298 (7563)
	285 (7250)	95 (2422)	117 (2969)	308 (7813)
	295 (7500)	98 (2508)	121 (3055)	318 (8063)
	305 (7750)	102 (2594)	124 (3141)	328 (8313)
	314 (8000)	105 (2680)	128 (3227)	338 (8563)
	324 (8250)	108 (2766)	131 (3313)	347 (8813)
	334 (8500)	112 (2852)	134 (3399)	357 (9063)
	344 (8750)	115 (2938)	138 (3485)	367 (9313)
	354 (9000)	119 (3024)	141 (3571)	377 (9563)
	364 (9250)	122 (3110)	144 (3657)	387 (9813)
	374 (9500)	125 (3196)	148 (3753)	397 (10063)
	383 (9750)	129 (3282)	152 (3839)	407 (10313)
393 (10000)	132 (3368)	155 (3925)	416 (10563)	
403 (10250)	135 (3454)	158 (4011)	426 (10813)	
413 (10500)	139 (3540)	162 (4097)	436 (11063)	
423 (10750)	142 (3626)	165 (4183)	446 (11313)	

R2.0, R2.5 - MAST DETAILS, 3-STAGE FULL FREE LIFT				
	Lift (4.4)	Free lift (4.3)	Height of mast lowered (4.2)	Height of mast extended w/o LBR (4.5) ²
	in (mm)	in (mm)	in (mm)	in (mm)
	183 (4650)	62 (1582)	87 (2195)	208 (5263)
	192 (4900)	65 (1668)	90 (2281)	218 (5513)
	202 (5150)	69 (1754)	94 (2367)	227 (5763)
	212 (5400)	72 (1840)	97 (2453)	237 (6013)
	222 (5650)	75 (1926)	100 (2539)	247 (6263)
	232 (5900)	79 (2012)	104 (2625)	257 (6513)
	242 (6150)	82 (2098)	107 (2711)	267 (6763)
	251 (6400)	85 (2184)	111 (2797)	277 (7013)
	261 (6650)	89 (2270)	114 (2883)	286 (7263)
	271 (6900)	92 (2356)	117 (2969)	296 (7513)
	281 (7150)	96 (2442)	121 (3055)	306 (7763)
	291 (7400)	99 (2528)	124 (3141)	316 (8013)
	301 (7650)	102 (2614)	128 (3227)	326 (8263)
	311 (7900)	106 (2700)	131 (3313)	336 (8513)
	320 (8150)	109 (2786)	134 (3399)	345 (8763)
	330 (8400)	113 (2873)	138 (3485)	355 (9013)
	340 (8650)	116 (2959)	141 (3571)	365 (9263)
	350 (8900)	119 (3045)	144 (3657)	375 (9513)
	360 (9150)	123 (3131)	148 (3753)	385 (9763)
	370 (9400)	126 (3217)	152 (3839)	395 (10013)
	379 (9650)	130 (3303)	155 (3925)	405 (10263)
	389 (9900)	133 (3389)	158 (4011)	414 (10513)
	399 (10150)	136 (3475)	162 (4097)	424 (10763)
	409 (10400)	140 (3561)	165 (4183)	434 (11013)

R1.6HD - MAST DETAILS, HEAVY DUTY 3-STAGE FULL FREE LIFT				
	Lift (4.4)	Free lift (4.3)	Height of mast lowered (4.2)	Height of mast extended w/o LBR (4.5) ³
	in (mm)	in (mm)	in (mm)	in (mm)
	311 (7900)	105 (2680)	128 (3227)	334 (8463)
	320 (8150)	108 (2766)	131 (3313)	344 (8713)
	330 (8400)	112 (2852)	134 (3399)	353 (8963)
	340 (8650)	115 (2938)	138 (3485)	363 (9213)
	350 (8900)	119 (3024)	141 (3571)	373 (9463)
	360 (9150)	122 (3110)	144 (3657)	383 (9713)
	370 (9400)	125 (3196)	148 (3753)	393 (9963)
	379 (9650)	129 (3282)	152 (3839)	403 (10213)
	389 (9900)	132 (3368)	155 (3925)	412 (10463)
	399 (10150)	135 (3454)	158 (4011)	422 (10713)
	409 (10400)	139 (3540)	162 (4097)	432 (10963)
	419 (10650)	142 (3626)	165 (4183)	442 (11213)
	429 (10900)	146 (3712)	169 (4269)	452 (11463)
	438 (11150)	149 (3798)	172 (4355)	462 (11713)
	448 (11400)	152 (3884)	175 (4441)	471 (11963)

¹ With load backrest 39.37" height, add 20"; with load backrest 59.06" height, add 39.69".

² With load backrest 39.37" height, add 17.44"; with load backrest 59.06" height, add 37.12".

³ With load backrest 39.37" height, add 20"; with load backrest 59.06" height, add 39.69".

MAST SPECIFICATIONS

R2.0HD - MAST DETAILS, HEAVY DUTY 3-STAGE FULL FREE LIFT				
	Lift (4.4)	Free lift (4.3)	Height of mast lowered (4.2)	Height of mast extended w/o LBR (4.5) ¹
	in (mm)	in (mm)	in (mm)	in (mm)
	305 (7750)	102 (2614)	128 (3227)	330 (8363)
	314 (8000)	106 (2700)	131 (3313)	340 (8613)
	324 (8250)	109 (2786)	134 (3399)	349 (8863)
	334 (8500)	113 (2872)	138 (3485)	359 (9113)
	344 (8750)	116 (2958)	141 (3571)	369 (9363)
	354 (9000)	119 (3044)	144 (3657)	379 (9613)
	364 (9250)	123 (3130)	148 (3753)	389 (9863)
	374 (9500)	126 (3216)	152 (3839)	399 (10113)
	383 (9750)	130 (3302)	155 (3925)	408 (10363)
	393 (10000)	133 (3388)	158 (4011)	418 (10613)
	403 (10250)	136 (3474)	162 (4097)	428 (10863)
	413 (10500)	140 (3560)	165 (4183)	438 (11113)
	423 (10750)	143 (3646)	169 (4269)	448 (11363)
	433 (11000)	146 (3732)	172 (4355)	458 (11613)
	442 (11250)	150 (3818)	175 (4441)	468 (11863)
	452 (11500)	153 (3904)	179 (4527)	477 (12113)
	462 (11750)	157 (3990)	182 (4613)	487 (12363)
	472 (12000)	160 (4076)	185 (4699)	497 (12613)
	482 (12250)	163 (4162)	189 (4785)	507 (12863)
	492 (12500)	167 (4248)	192 (4871)	517 (13113)
	501 (12750)	170 (4334)	196 (4957)	527 (13373)
	511 (13000)	174 (4420)	199 (5043)	536 (13613)
	521 (13250)	177 (4506)	202 (5129)	546 (13863)
	531 (13500)	180 (4592)	206 (5215)	556 (14113)
	541 (13750)	184 (4678)	209 (5301)	566 (14363)
	551 (14000)	187 (4764)	213 (5387)	576 (14613)

¹ With load backrest 39.37" height, add 17.44"; with load backrest 59.06" height, add 37.12".

R1.4, R1.6, R1.6N - MAST DETAILS, 4-STAGE FULL FREE LIFT				
Model	Lift (4.4)	Free lift (4.3)	Height of mast lowered (4.2)	Height of mast extended w/o LBR (4.5) ¹
	in (mm)	in (mm)	in (mm)	in (mm)
R1.4, R1.6 R1.6N	261 (6650)	66 (1700)	90 (2280)	285 (7230)
	277 (7050)	70 (1800)	94 (2380)	301 (7630)
	293 (7450)	74 (1900)	98 (2480)	317 (8030)
	309 (7850)	78 (2000)	102 (2580)	332 (8430)
	316 (8050)	80 (2050)	104 (2630)	340 (8630)
	326 (8300)	84 (2150)	108 (2730)	350 (8880)
	334 (8500)	86 (2200)	110 (2780)	358 (9080)
	342 (8700)	88 (2250)	112 (2830)	366 (9280)
	360 (9150)	94 (2400)	118 (2980)	384 (9730)
	370 (9400)	98 (2500)	122 (3080)	393 (9980)
	387 (9850)	104 (2650)	128 (3230)	411 (10430)
	395 (10050)	106 (2700)	130 (3280)	419 (10630)

¹ With load backrest 39.37" height, add 20"; with load backrest 59.06" height, add 39.69".
4-stage masts void UL 'E' certification

R2.0, R2.5, R2.0HD - MAST DETAILS, 4-STAGE FULL FREE LIFT				
Model	Lift (4.4)	Free lift (4.3)	Height of mast lowered (4.2)	Height of mast extended w/o LBR (4.5) ¹
	in (mm)	in (mm)	in (mm)	in (mm)
R2.0, R2.5	277 (7050)	70 (1800)	94 (2380)	301 (7630)
	293 (7450)	74 (1900)	98 (2480)	317 (8030)
	309 (7850)	78 (2000)	102 (2580)	332 (8430)
	316 (8050)	80 (2050)	104 (2630)	340 (8630)
	326 (8300)	84 (2150)	108 (2730)	350 (8880)
	334 (8500)	86 (2200)	110 (2780)	358 (9080)
R2.0HD	342 (8700)	88 (2250)	112 (2830)	366 (9280)
	360 (9150)	94 (2400)	118 (2980)	384 (9730)
	370 (9400)	98 (2500)	122 (3080)	393 (9980)
	387 (9850)	104 (2650)	128 (3230)	411 (10430)
	395 (10050)	106 (2700)	130 (3280)	419 (10630)
	405 (10300)	110 (2800)	134 (3380)	429 (10880)
	413 (10500)	112 (2850)	135 (3430)	437 (11080)
	423 (10750)	116 (2950)	139 (3530)	447 (11330)
	433 (11000)	120 (3050)	143 (3630)	456 (11580)
	448 (11400)	124 (3150)	147 (3730)	472 (11980)

¹ With load backrest 39.37" height, add 20"; with load backrest 59.06" height, add 39.69".
4-stage masts void UL 'E' certification

BATTERY SPECIFICATIONS

R1.4 TRUCK DIMENSIONS FOR BATTERIES

1.8	Load distance, center of drive axle to fork	in (mm)	15.81 (402)	12.97 (330)	15.81 (402)	12.97 (330)	10.14 (258)	10.14 (258)
1.9	Wheelbase	in (mm)	55.12 (1400)	55.12 (1400)	55.12 (1400)	55.12 (1400)	55.12 (1400)	55.12 (1400)
2.1	Service weight	lb (kg)	6861 (3112)	7295 (3309)	6861 (3112)	7319 (3320)	7705 (3495)	7807 (3541)
2.3	Axle loading, NL front/rear ⁵	lb (kg)	4359/ 2502 (1977/1135)	4464/ 2833 (2025/1285)	4359/ 2502 (1977/1135)	4480/ 2842 (2032/1289)	4530/ 3175 (2055/1440)	4594/ 3212 (2084/1457)
2.4	Axle loading fork advanced, RL front/rear	lb (kg)	1504/ 8444 (682/3830)	1746/ 8636 (792/3917)	1504/ 8444 (682/3830)	1764/ 8644 (800/3921)	1951/ 8841 (885/4010)	2015/ 8878 (914/4027)
2.5	Axle loading fork retracted, RL front/rear	lb (kg)	3920/ 6030 (1778/2735)	3865/ 6517 (1753/2956)	3920/ 6030 (1778/2735)	3880/ 6526 (1760/2960)	3772/ 7020 (1711/3184)	3838/ 7057 (1741/3201)
4.19	Overall length	in (mm)	93.64 (2379)	96.48 (2451)	93.64 (2379)	96.48 (2451)	99.31 (2523)	99.31 (2523)
4.20	Length to face of forks	in (mm)	48.37 (1229)	51.20 (1301)	48.37 (1229)	51.20 (1301)	54.04 (1373)	54.04 (1373)
4.28	Reach distance	in (mm)	23.03 (585)	20.20 (513)	23.03 (585)	20.20 (513)	17.36 (441)	17.36 (441)
4.34.1	Aisle width for pallets 39.3"x47.2" (1000 mm x 1200 mm) across - (L6 x b12) ⁶	in (mm)	107.01 (2718)	109.09 (2771)	107.01 (2718)	109.09 (2771)	111.34 (2828)	111.26 (2826)
4.34.2	Aisle width for pallets 31.5"x47.2" (800 mm x 1200 mm) lengthwise - (b12 x L6) ⁶	in (mm)	108.82 (2764)	111.38 (2829)	108.82 (2764)	111.38 (2829)	113.98 (2895)	113.98 (2895)
4.34.3	Aisle width for pallets 40" x 48" lengthwise (b12 x L6) ⁶	in (mm)	111.54 (2833)	113.97 (2895)	111.54 (2833)	113.97 (2895)	116.46 (2958)	116.46 (2958)
4.34.4	Aisle width for pallets 48" x 48" (b12 x L6) ⁶	in (mm)	113.82 (2891)	116.13 (2950)	113.82 (2891)	116.13 (2950)	118.49 (3010)	118.49 (3010)
4.34.5	Aisle width for pallets 48" x 40" across (b12 x L6) ⁶	in (mm)	107.74 (2737)	109.81 (2789)	107.74 (2737)	109.81 (2789)	111.97 (2844)	111.97 (2844)
4.35	Turning radius	in (mm)	65.79 (1671)	65.79 (1671)	65.79 (1671)	65.79 (1671)	65.79 (1671)	65.79 (1671)
6.3	Battery according to DIN 43531/35/36 A,B,C, no (reference only)		C	C	C "Super"	C "Super"	C	C "Super"
6.4	Battery voltage/nominal capacity	V/Ah	48/420	48/560	48/465	48/620	48/700	48/775
6.5	Battery weight ⁴	lb (kg)	1653 (750)	2070 (939)	1653 (750)	2094 (950)	2467 (1119)	2568 (1165)

R1.6 TRUCK DIMENSIONS FOR BATTERIES

1.8	Load distance, center of drive axle to fork	in (mm)	17.78 (452)	14.94 (380)	17.78 (452)	14.94 (380)	12.11 (308)	12.11 (308)
1.9	Wheelbase	in (mm)	57.09 (1450)	57.09 (1450)	57.09 (1450)	57.09 (1450)	57.09 (1450)	57.09 (1450)
2.1	Service weight	lb (kg)	6971 (3162)	7408 (3360)	6971 (3162)	7432 (3371)	7818 (3546)	7919 (3592)
2.3	Axle loading, NL front/rear ⁵	lb (kg)	4449/2522 (2018/1144)	4561/2846 (2069/1291)	4449/2522 (2018/1144)	4579/2853 (2077/1294)	4636/3181 (2103/1443)	4702/3217 (2133/1459)
2.4	Axle loading fork advanced, RL front/rear	lb (kg)	1325/9176 (601/4162)	1574/9361 (714/4246)	1325/9176 (601/4162)	1590/9370 (721/4250)	1786/9559 (810/4336)	1850/9595 (839/4352)
2.5	Axle loading fork retracted, RL front/rear	lb (kg)	4085/6413 (1853/2909)	4023/6911 (1825/3135)	4085/6413 (1853/2909)	4039/6920 (1832/3139)	3922/7423 (1779/3367)	3988/7458 (1809/3383)
4.19	Overall length	in (mm)	93.64 (2379)	96.48 (2451)	93.64 (2379)	96.48 (2451)	99.31 (2523)	99.31 (2523)
4.20	Length to face of forks	in (mm)	48.37 (1229)	51.20 (1301)	48.37 (1229)	51.20 (1301)	54.04 (1373)	54.04 (1373)
4.28	Reach distance	in (mm)	25.00 (635)	22.17 (563)	25.00 (635)	22.17 (563)	19.33 (491)	19.33 (491)
4.34.1	Aisle width for pallets 39.3"x47.2" (1000 mm x 1200 mm) across - (L6 x b12) ^{6,7}	in (mm)	107.52 (2731)	109.49 (2781)	107.52 (2731)	109.49 (2781)	111.57 (2834)	111.57 (2834)
4.34.2	Aisle width for pallets 31.5"x47.2" (800 mm x 1200 mm) lengthwise - (b12 x L6) ^{6,7}	in (mm)	108.94 (2767)	111.42 (2830)	108.94 (2767)	111.42 (2830)	114.02 (2896)	114.02 (2896)
4.34.3	Aisle width for pallets 40" x 48" lengthwise (b12 x L6) ^{6,7}	in (mm)	111.73 (2838)	114.13 (2899)	111.73 (2838)	114.13 (2899)	116.58 (2961)	116.58 (2961)
4.34.4	Aisle width for pallets 48" x 48" (b12 x L6) ^{6,7}	in (mm)	114.10 (2898)	116.37 (2956)	114.10 (2898)	116.37 (2956)	118.69 (3015)	118.69 (3015)
4.34.5	Aisle width for pallets 48" x 40" across (b12 x L6) ^{6,7}	in (mm)	108.22 (2749)	110.21 (2799)	108.22 (2749)	110.21 (2799)	112.31 (2853)	112.31 (2853)
4.35	Turning radius	in (mm)	67.64 (1718)	67.64 (1718)	67.64 (1718)	67.64 (1718)	67.64 (1718)	67.64 (1718)
6.3	Battery according to DIN 43531/35/36 A,B,C, no (reference only)		C	C	C "Super"	C "Super"	C	C "Super"
6.4	Battery voltage/nominal capacity	V/Ah	48/420	48/560	48/465	48/620	48/700	48/775
6.5	Battery weight ⁴	lb (kg)	1653 (750)	2070 (939)	1653 (750)	2094 (950)	2467 (1119)	2568 (1165)

R1.6N TRUCK DIMENSIONS FOR BATTERIES

1.8	Load distance, center of drive axle to fork	in (mm)	15.02 (382)	11.48 (292)	15.02 (382)	11.48 (292)	7.93 (202)	7.93 (202)
1.9	Wheelbase	in (mm)	57.09 (1450)	57.09 (1450)	57.09 (1450)	57.09 (1450)	57.09 (1450)	57.09 (1450)
2.1	Service weight	lb (kg)	6859 (3111)	7295 (3309)	6867 (3115)	7313 (3317)	7712 (3498)	7747 (3514)
2.3	Axle loading, NL front/rear ⁵	lb (kg)	4237/2621 (1922/1189)	4292/3003 (1947/1362)	4242/2626 (1924/1191)	4303/3009 (1952/1365)	4310/3402 (1955/1543)	4332/3415 (1965/1549)
2.4	Axle loading fork advanced, RL front/rear	lb (kg)	1254/9132 (569/4142)	1482/9341 (672/4237)	1261/9134 (572/4143)	1493/9348 (677/4240)	1669/9570 (757/4341)	1689/9583 (766/4347)
2.5	Axle loading fork retracted, RL front/rear	lb (kg)	3704/6684 (1680/3032)	3541/7282 (1606/3303)	3708/6687 (1682/3033)	3552/7288 (1611/3306)	3338/7901 (1514/3584)	3360/7915 (1524/3590)
4.19	Overall length	in (mm)	96.40 (2449)	99.94 (2539)	96.40 (2449)	99.94 (2539)	103.48 (2629)	103.48 (2629)
4.20	Length to face of forks	in (mm)	51.12 (1299)	54.67 (1389)	51.12 (1299)	54.67 (1389)	58.21 (1479)	58.21 (1479)
4.28	Reach distance	in (mm)	22.24 (565)	18.70 (475)	22.24 (565)	18.70 (475)	15.16 (385)	15.16 (385)
4.34.1	Aisle width for pallets 39.3"x47.2" (1000 mm x 1200 mm) across - (L6 x b12) ⁶	in (mm)	108.74 (2762)	111.34 (2828)	108.74 (2762)	111.34 (2828)	114.09 (2898)	114.13 (2899)
4.34.2	Aisle width for pallets 31.5"x47.2" (800 mm x 1200 mm) lengthwise - (b12 x L6) ⁶	in (mm)	110.67 (2811)	113.90 (2893)	110.67 (2811)	113.90 (2893)	117.17 (2976)	117.17 (2976)
4.34.3	Aisle width for pallets 40" x 48" lengthwise (b12 x L6) ⁶	in (mm)	113.35 (2879)	116.42 (2957)	113.35 (2879)	116.42 (2957)	119.56 (3037)	119.56 (3037)
4.34.4	Aisle width for pallets 48" x 48" (b12 x L6) ⁶	in (mm)	115.59 (2936)	118.50 (3010)	115.59 (2936)	118.50 (3010)	121.51 (3086)	121.51 (3086)
4.34.5	Aisle width for pallets 48" x 40" across (b12 x L6) ⁶	in (mm)	109.45 (2780)	112.08 (2847)	109.45 (2780)	112.08 (2847)	114.86 (2917)	114.86 (2917)
4.35	Turning radius	in (mm)	66.93 (1700)	66.93 (1700)	66.93 (1700)	66.93 (1700)	66.93 (1700)	66.93 (1700)
6.3	Battery according to DIN 43531/35/36 A,B,C, no (reference only)		B	B	B "Super"	B "Super"	B	B "Super"
6.4	Battery voltage/nominal capacity	V/Ah	48/420	48/560	48/465	48/620	48/700	48/775
6.5	Battery weight ⁴	lb (kg)	1645 (746)	2066 (937)	1653 (750)	2083 (945)	2467 (1119)	2502 (1135)

⁴ These values may vary of +/- 5%.

⁵ Forks retracted.

⁶ Contact your local dealer or applications engineering for AST dimensions with cold storage cab or 4-stage masts.

⁷ Contact your local dealer for AST dimensions with wide and extra wide frame options

RL = Rated Load, NL = No Load

All weights (2.1 to 2.5) are with lowest mast and standard forks.

BATTERY SPECIFICATIONS

R2.0 TRUCK DIMENSIONS FOR BATTERIES						
1.8	Load distance, center of drive axle to fork	in (mm)	16.32 (415)	16.32 (415)	13.48 (343)	13.48 (343)
1.9	Wheelbase	in (mm)	59.06 (1500)	59.06 (1500)	59.06 (1500)	59.06 (1500)
2.1	Service weight	lb (kg)	7970 (3615)	7994 (3626)	8380 (3801)	8481 (3847)
2.3	Axle loading, NL front/rear ⁵	lb (kg)	4985/2985 (2261/1354)	5000/2994 (2268/1358)	5062/3316 (2296/1504)	5128/3351 (2326/1520)
2.4	Axle loading fork advanced, RL front/rear	lb (kg)	1479/10897 (671/4943)	1497/10906 (679/4947)	1698/11089 (770/5030)	1766/11125 (801/5046)
2.5	Axle loading fork retracted, RL front/rear	lb (kg)	4480/7899 (2032/3583)	4495/7906 (2039/3586)	4345/8442 (1971/3829)	4414/8477 (2002/3845)
4.19	Overall length	in (mm)	96.48 (2451)	96.48 (2451)	99.31 (2523)	99.31 (2523)
4.20	Length to face of forks	in (mm)	51.79 (1316)	51.79 (1316)	54.63 (1388)	54.63 (1388)
4.28	Reach distance	in (mm)	24.13 (613)	24.13 (613)	21.30 (541)	21.30 (541)
4.34.1	Aisle width for pallets 39.3"x47.2" (1000 mm x 1200 mm) across - (L6 x b12) ^{6,7}	in (mm)	110.43 (2805)	110.43 (2805)	112.48 (2857)	112.48 (2857)
4.34.2	Aisle width for pallets 31.5"x47.2" (800 mm x 1200 mm) lengthwise - (b12 x L6) ^{6,7}	in (mm)	112.13 (2848)	112.13 (2848)	114.69 (2913)	114.69 (2913)
4.34.3	Aisle width for pallets 40" x 48" lengthwise (b12 x L6) ^{6,7}	in (mm)	114.91 (2919)	114.91 (2919)	117.34 (2980)	117.34 (2980)
4.34.4	Aisle width for pallets 48" x 48" (b12 x L6) ^{6,7}	in (mm)	117.19 (2977)	117.19 (2977)	119.5 (3035)	119.50 (3035)
4.34.5	Aisle width for pallets 48" x 40" across (b12 x L6) ^{6,7}	in (mm)	111.16 (2823)	111.16 (2823)	113.21 (2876)	113.21 (2876)
4.35	Turning radius	in (mm)	69.57 (1767)	69.57 (1767)	69.57 (1767)	69.57 (1767)
6.3	Battery according to DIN 43531/35/36 A,B,C, no (reference only)		C	C "Super"	C	C "Super"
6.4	Battery voltage/nominal capacity	V/Ah	48/560	48/620	48/700	48/775
6.5	Battery weight ⁴	lb (kg)	2070 (939)	2094 (950)	2467 (1119)	2568 (1165)

R2.5 TRUCK DIMENSIONS FOR BATTERIES						
1.8	Load distance, center of drive axle to fork	in (mm)	20.0 (508)	20.0 (508)	17.17 (436)	17.17 (436)
1.9	Wheelbase	in (mm)	65.75 (1670)	65.75 (1670)	65.75 (1670)	65.75 (1670)
2.1	Service weight	lb (kg)	8902 (4038)	9004 (4084)	9326 (4230)	9462 (4292)
2.3	Axle loading, NL front/rear ⁵	lb (kg)	5556/3347 (2520/1518)	5626/3377 (2552/1532)	5655/3671 (2565/1665)	5745/3717 (2606/1686)
2.4	Axle loading fork advanced, RL front/rear	lb (kg)	1704/12710 (773/5765)	1773/12743 (804/5780)	1931/12908 (876/5855)	2022/12952 (917/5875)
2.5	Axle loading fork retracted, RL front/rear	lb (kg)	5227/9187 (2371/4167)	5296/9220 (2402/4182)	5084/9753 (2306/4424)	5176/9797 (2348/4444)
4.19	Overall length	in (mm)	99.51 (2528)	99.51 (2528)	102.34 (2600)	102.34 (2600)
4.20	Length to face of forks	in (mm)	54.82 (1393)	54.82 (1393)	57.66 (1465)	57.66 (1465)
4.28	Reach distance	in (mm)	29.06 (738)	29.06 (738)	26.22 (666)	26.22 (666)
4.34.1	Aisle width for pallets 39.3"x47.2" (1000 mm x 1200 mm) across - (L6 x b12) ⁶	in (mm)	114.41 (2906)	114.41 (2906)	116.26 (2953)	116.26 (2953)
4.34.2	Aisle width for pallets 31.5"x47.2" (800 mm x 1200 mm) lengthwise - (b12 x L6) ⁶	in (mm)	115.31 (2929)	115.31 (2929)	117.80 (2992)	117.80 (2992)
4.34.3	Aisle width for pallets 40" x 48" lengthwise (b12 x L6) ⁶	in (mm)	118.26 (3004)	118.26 (3004)	120.60 (3063)	120.60 (3063)
4.34.4	Aisle width for pallets 48" x 48" (b12 x L6) ⁶	in (mm)	120.73 (3067)	120.73 (3067)	122.92 (3122)	122.92 (3122)
4.34.5	Aisle width for pallets 48" x 40" across (b12 x L6) ⁶	in (mm)	115.10 (2924)	115.10 (2924)	116.98 (2972)	116.98 (2972)
4.35	Turning radius	in (mm)	75.98 (1930)	75.98 (1930)	75.98 (1930)	75.98 (1930)
6.3	Battery according to DIN 43531/35/36 A,B,C, no (reference only)		C	C "Super"	C	C "Super"
6.4	Battery voltage/nominal capacity	V/Ah	48/700	48/775	48/840	48/930
6.5	Battery weight ⁴	lb (kg)	2467 (1119)	2568 (1165)	2879 (1306)	3016 (1368)

R1.6HD TRUCK DIMENSIONS FOR BATTERIES						
1.8	Load distance, center of drive axle to fork	in (mm)	12.13 (293)	12.13 (293)	11.54 (293)	11.54 (293)
1.9	Wheelbase	in (mm)	57.09 (1450)	57.09 (1450)	57.09 (1450)	57.09 (1450)
2.1	Service weight	lb (kg)	8902 (4038)	8927 (4049)	9312 (4224)	9414 (4270)
2.3	Axle loading, NL front/rear ⁵	lb (kg)	5329/3574 (2417/1621)	5344/3583 (2424/1625)	5353/3960 (2428/1796)	5417/3997 (2457/1813)
2.4	Axle loading fork advanced, RL front/rear	lb (kg)	1947/10483 (883/4755)	1964/10490 (891/4758)	2158/10681 (979/4845)	2224/10717 (1009/4861)
2.5	Axle loading fork retracted, RL front/rear	lb (kg)	4788/7641 (2172/3466)	4806/7648 (2180/3469)	4639/8201 (2104/3720)	4705/8236 (2134/3736)
4.19	Overall length	in (mm)	99.31 (2523)	99.31 (2523)	99.31 (2523)	99.31 (2523)
4.20	Length to face of forks	in (mm)	54.06 (1373)	54.06 (1373)	54.65 (1388)	54.65 (1388)
4.28	Reach distance	in (mm)	19.33 (491)	19.33 (491)	19.33 (491)	19.33 (491)
4.34.1	Aisle width for pallets 39.3"x47.2" (1000 mm x 1200 mm) across - (L6 x b12) ^{6,7}	in (mm)	111.57 (2834)	111.57 (2834)	112.02 (2845)	112.02 (2845)
4.34.2	Aisle width for pallets 31.5"x47.2" (800 mm x 1200 mm) lengthwise - (b12 x L6) ^{6,7}	in (mm)	114.02 (2896)	114.02 (2896)	114.54 (2909)	114.53 (2909)
4.34.3	Aisle width for pallets 40" x 48" lengthwise (b12 x L6) ^{6,7}	in (mm)	116.58 (2961)	116.58 (2961)	117.10 (2974)	117.10 (2974)
4.34.4	Aisle width for pallets 48" x 48" (b12 x L6) ^{6,7}	in (mm)	118.69 (3015)	118.69 (3015)	119.17 (3027)	119.17 (3027)
4.34.5	Aisle width for pallets 48" x 40" across (b12 x L6) ^{6,7}	in (mm)	112.31 (2853)	112.31 (2853)	112.74 (2864)	112.74 (2864)
4.35	Turning radius	in (mm)	67.64 (1718)	67.64 (1718)	67.64 (1718)	67.64 (1718)
6.3	Battery according to DIN 43531/35/36 A,B,C, no (reference only)		C	C "Super"	C	C "Super"
6.4	Battery voltage/nominal capacity	V/Ah	48/560	48/620	48/700	48/775
6.5	Battery weight ⁴	lb (kg)	2070 (939)	2094 (950)	2467 (1119)	2568 (1165)

⁴ These values may vary of +/- 5%.

⁵ Forks retracted.

⁶ Contact your local dealer or applications engineering for AST dimensions with cold storage cab or 4-stage masts.

⁷ Contact your local dealer for AST dimensions with wide and extra wide frame options

RL = Rated Load, NL = No Load

All weights (2.1 to 2.5) are with lowest mast and standard forks.

BATTERY SPECIFICATIONS

R2.0HD TRUCK DIMENSIONS FOR BATTERIES

1.8	Load distance, center of drive axle to fork	in (mm)	15.24 (387)	15.24 (387)	12.40 (315)	12.40 (315)
1.9	Wheelbase	in (mm)	61.02 (1550)	61.02 (1550)	61.02 (1550)	61.02 (1550)
2.1	Service weight	lb (kg)	9755 (4425)	9857 (4471)	10179 (4617)	10315 (4679)
2.3	Axle loading, NL front/rear ⁵	lb (kg)	5659/4096 (2567/1858)	5725/4131 (2597/1874)	5681/4497 (2577/2040)	5767/4548 (2616/2063)
2.4	Axle loading fork advanced, RL front/rear	lb (kg)	1964/12200 (891/5534)	2030/12236 (921/5550)	2172/12416 (985/5632)	2258/12467 (1024/5655)
2.5	Axle loading fork retracted, RL front/rear	lb (kg)	4927/9235 (2235/4189)	4996/9270 (2266/4205)	4738/9850 (2149/4468)	4826/9899 (2189/4490)
4.19	Overall length	in (mm)	99.51 (2528)	99.51 (2528)	102.34 (2600)	102.34 (2600)
4.20	Length to face of forks	in (mm)	54.82 (1393)	54.82 (1393)	57.66 (1465)	57.66 (1465)
4.28	Reach distance	in (mm)	21.10 (536)	21.10 (536)	18.27 (464)	18.27 (464)
4.34.1	Aisle width for pallets 39.3"x47.2" (1000 mm x 1200 mm) across - (L6 x b12) ⁶	in (mm)	113.07 (2872)	113.07 (2872)	115.20 (2926)	115.20 (2926)
4.34.2	Aisle width for pallets 31.5"x47.2" (800 mm x 1200 mm) lengthwise - (b12 x L6) ⁶	in (mm)	115.0 (2921)	115.0 (2921)	117.56 (2986)	117.56 (2986)
4.34.3	Aisle width for pallets 40" x 48" lengthwise (b12 x L6) ⁶	in (mm)	117.72 (2990)	117.72 (2990)	120.17 (3052)	120.17 (3052)
4.34.4	Aisle width for pallets 48" x 48" (b12 x L6) ⁶	in (mm)	119.94 (3027)	119.64 (3046)	122.27 (3106)	122.27 (3106)
4.34.5	Aisle width for pallets 48" x 40" across (b12 x L6) ⁶	in (mm)	113.82 (2891)	113.82 (2891)	115.91 (2944)	115.91 (2944)
4.35	Turning radius	in (mm)	71.46 (1815)	71.46 (1815)	71.46 (1815)	71.46 (1815)
6.3	Battery according to DIN 43531/35/36 A,B,C, no (reference only)		C	C "Super"	C	C "Super"
6.4	Battery voltage/nominal capacity	V/Ah	48/700	48/775	48/840	48/930
6.5	Battery weight ⁴	lb (kg)	2467 (1119)	2568 (1165)	2879 (1306)	3016 (1368)

⁴ These values may vary of +/- 5%.

⁵ Forks retracted.

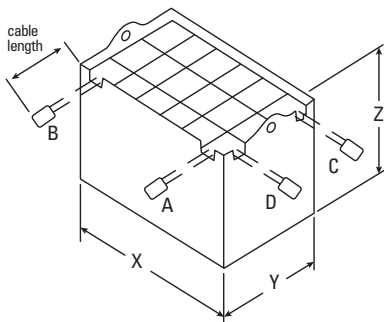
⁶ Contact your local dealer or applications engineering for AST dimensions with cold storage cab or 4-stage masts.

⁷ Contact your local dealer for AST dimensions with wide and extra wide frame options

RL = Rated Load, NL = No Load

All weights (2.1 to 2.5) are with lowest mast and standard forks.

TRUCK MODEL	COMPARTMENT DIMENSIONS-MAX.			BATTERY DIMENSIONS-MAX.			VOLTS	NO. OF CELLS	AMP HR CAPACITY RANGE	WEIGHT	
	WIDTH	LENGTH	HEIGHT	X	Y	Z				MIN	MAX
	in (mm)	in (mm)	in (mm)	in (mm)	in (mm)	in (mm)				lb (kg)	lb (kg)
				+0"/-0.12" (+0/-3)	+0"/-0.12" (+0/-3)	+0"/-0.08" (+0/-2)					
R1.4 - 3,000lb	48.15 (1223)	11.26 (286)	30.94 (786)	48.11 (1222)	11.14 (283)	30.87 (784)	48	24	420-465	1572 (713)	1737 (788)
R1.4 - 3,000lb	48.15 (1223)	14.09 (358)	30.94 (786)	48.11 (1222)	13.98 (355)	30.87 (784)	48	24	560-620	1967 (892)	2200 (998)
R1.4 - 3,000lb	48.15 (1223)	16.93 (430)	30.94 (786)	48.11 (1222)	16.81 (427)	30.87 (784)	48	24	700-775	2344 (1063)	2696 (1223)
R1.6 - 3,500lb	48.15 (1223)	11.26 (286)	30.94 (786)	48.11 (1222)	11.14 (283)	30.87 (784)	48	24	420-465	1572 (713)	1737 (788)
R1.6 - 3,500lb	48.15 (1223)	14.09 (358)	30.94 (786)	48.11 (1222)	13.98 (355)	30.87 (784)	48	24	560-620	1967 (892)	2200 (998)
R1.6 - 3,500lb	48.15 (1223)	16.93 (430)	30.94 (786)	48.11 (1222)	16.81 (427)	30.87 (784)	48	24	700-775	2344 (1063)	2696 (1223)
R1.6N - 3,500lb	40.75 (1035)	14.09 (358)	30.94 (786)	40.71 (1034)	13.90 (353)	30.87 (784)	48	24	420-465	1563 (709)	1737 (788)
R1.6N - 3,500lb	40.75 (1035)	17.56 (446)	30.94 (786)	40.71 (1034)	17.44 (443)	30.87 (784)	48	24	560-620	1962 (890)	2187 (992)
R1.6N - 3,500lb	40.75 (1035)	21.10 (536)	30.94 (786)	40.71 (1034)	20.98 (533)	30.87 (784)	48	24	700-775	2344 (1063)	2628 (1192)
R2.0 - 4,500lb	48.15 (1223)	14.09 (358)	30.94 (786)	48.11 (1222)	13.98 (355)	30.87 (784)	48	24	560-620	1967 (892)	2200 (998)
R2.0 - 4,500lb	48.15 (1223)	16.93 (430)	30.94 (786)	48.11 (1222)	16.81 (427)	30.87 (784)	48	24	700-775	2344 (1063)	2696 (1223)
R2.5 - 5,500lb	48.15 (1223)	16.93 (430)	30.94 (786)	48.11 (1222)	16.81 (427)	30.87 (784)	48	24	700-775	2344 (1063)	2696 (1223)
R2.5 - 5,500lb	48.15 (1223)	19.76 (502)	30.94 (786)	48.11 (1222)	19.65 (499)	30.87 (784)	48	24	840-930	2736 (1241)	3166 (1436)
R1.6HD - 3,500lb	48.15 (1223)	14.09 (358)	30.94 (786)	48.11 (1222)	13.98 (355)	30.87 (784)	48	24	560-620	1967 (892)	2200 (998)
R1.6HD - 3,500lb	48.15 (1223)	16.93 (430)	30.94 (786)	48.11 (1222)	16.81 (427)	30.87 (784)	48	24	700-775	2344 (1063)	2696 (1223)
R2.0HD - 4,500lb	48.15 (1223)	16.93 (430)	30.94 (786)	48.11 (1222)	16.81 (427)	30.87 (784)	48	24	700-775	2344 (1063)	2696 (1223)
R2.0HD - 4,500lb	48.15 (1223)	19.76 (502)	30.94 (786)	48.11 (1222)	19.65 (499)	30.87 (784)	48	24	840-930	2736 (1241)	3166 (1436)
R2.0HD - 4,500lb	46.97 (1193)	19.37 (492)	30.94 (786)	46.85 (1190)	19.22 (488)	30.56 (776)	48	24	980-1085	2866 (1300)	3452 (1566)



Battery compartment length is measured from front to rear.

Battery compartment width is measured across the truck.

Battery connector: 350 amp / 48 volt (SB350 blue)

Battery lead: length 31.5" (800 mm) "A" position


Battery cover - not needed

FEATURES AND OPTIONS

PERFORMANCE	STD	OPT	ERGONOMICS (CONTINUED)	STD	OPT
6.8 mph travel speed (R1.4, R1.6, R1.6N)	x		Adjustable steering column	x	
8.7 mph travel speed (R2.0, R2.5, R1.6HD, R2.0HD)	x		Premium touch screen display		x
Lift performance package (R2.0, R2.5, R1.6HD, R2.0HD)	x		Full suspension seat (3 in suspension travel)		x
8.7 mph travel speed (R1.4, R1.6, R1.6N)		x	Headrest		x
Lift performance package (R1.4, R1.6, R1.6N)		x	Synchronized seat cushion and backrest movement		x
Laser line fork positioning aid (above free lift)		x	Heated seat		x
Auto sideshift centering		x	Anti-static seat		x
Auto fork leveling in the horizontal position		x	Vinyl seat upholstery		x
Height pre-selector (with/without pallet detection device)		x	Flashing beacon		x
Load backrest mounted color camera		x	Work lights x2 (mast side)		x
Fork camera		x	Work lights x2 (driver side)		x
Inner mast camera and monitor		x	Carriage mounted work lights		x
Load weight indicator		x			
DRIVE	STD	OPT	OPERATION	STD	OPT
Park brake (spring applied, electrically released)	x		180 degree steering	x	
Top/front load wheel protection	x		Keyless access		x
Side load wheel protection		x	360 degree steering		x
Various load wheels compounds		x	Driver select steering mode 180/360 degree steering (push button)		x
Various drive tire compounds		x	5Th hydraulic function		x
LIFT	STD	OPT	Universal support bracket		x
3-stage mast/tilting carriage	x		RF terminal mount		x
4-stage mast/tilting carriage		x	Beverage holder and document tray		x
Lift limit with override (1x or 2x height setting)		x	Clipboard		x
Lower limit (with override option)		x	Stretch film roll holder		x
Telescoping forks		x	Polycarbonate (lexan) protection on overhead guard		x
Side shifting fork positioner		x	Metal grid protection on overhead guard (with or without cab)		x
HANDLING	STD	OPT	Full view overhead guard top		x
TouchPoint™ mini-levers hydraulic controls	x		High temperature environment		x
Speed slow down mast reached forward	x		Side battery change - battery tray rollers		x
Speed slow down on cornering	x		Drive in rack overhead guard		x
Speed slow down over free lift	x		Side guide rollers		x
Simultaneous lift/reach functionality	x		DC/DC Converter (12V/48V, 24V/48V, or 12-24V/48V)		x
Joystick controls hydraulic controls		x	Audible alarm (choice of forks leading, forks trailing, both travel directions)		x
Simultaneous hydraulic functions - 3 functions		x	Load backrest (39.4" (1000 mm)/59" (1500 mm))		x
Lift comfort package		x	Cold storage (-22 deg F (-30 deg C))		x
ERGONOMICS	STD	OPT	Integrated cold storage cab (standard and drive in rack options)		x
Intermediate step	x		Cab intercom		x
Grab handle on overhead guard and under armrest	x		Drip rail (cold storage)		x
Adjustable length armrest	x		Pedestrian awareness lights (spotlight chassis direction - forks trailing)		x
Full suspension seat (2 in suspension travel)	x		Pedestrian awareness lights (side line lights)		x
Standard display	x		Hyster Tracker™		x



Hyster Company
P.O. Box 7006
Greenville, North Carolina
27835-7006

© Hyster Company. 2022, all rights reserved. Hyster and  are trademarks of Hyster-Yale Group, Inc.

Hyster products are subject to change without notice. Trucks may be shown with optional equipment and/or features not available in all regions.

CERTIFICATION: Hyster lift trucks meet the design and construction requirements of B56.1-1969, per OSHA Section 1910.178(a)(2), and also comply with the B56.1 revision in effect at time of manufacture. Certification of compliance with the applicable ANSI standards appears on the lift truck. Performance specifications are for a truck equipped as described under standard equipment on this technical guide. Performance specifications are affected by the condition of the vehicle and how it is equipped, as well as by the nature, condition of the operating area, proper service and maintenance of the vehicle. If these specifications are critical, the proposed application should be discussed with your dealer.