



WWW.HYSTER.COM

ELECTRIC COUNTERBALANCED FORKLIFT

PRODUCT BROCHURE

J4.0-5.0XTLG



RELIABILITY AND DURABILITY

- Proven and tested structural design is ideal for indoor and outdoor working conditions.
- Intensive environmental testing enables reliability and durability.
- Water cooled motors and controllers to maintain optimal operating temperatures.
- Lithium battery:
 - Side charging minimises need to open battery compartment.
 - Automatic heating function manages temperature recovery during discharge and before charging.



ERGONOMICS AND COMFORT

- Ergonomic design and optimized operator compartment improves driving experience.
- Multiple seat options to suit most operator sizes.
- Informative colour display including performance mode settings.
- Wide view mast provides good forward visibility.
- Large tyre size and high ground clearance provides optimal performance on uneven ground conditions.



HIGH EFFICIENCY AND PERFORMANCE

- High efficiency permanent magnet motor and controller system.
 - Provides up to 95% working efficiency.
 - Reduces energy consumption by 20%.
 - IPX4 waterproof rating.
 - Enables continuous operation in wet conditions.
- BMS and controller with leakage detection system.
- Permanent magnet synchronous motor delivers high efficiency.



OTHER FEATURES

- Standard curve deceleration
- Standard energy saving bright LED lights
- Standard USB charge ports
- Standard operator presence system
- Optional dual wheels
- Optional wet brake axle
- Optional automatic park brake
- Optional telemetry
- Optional minilevers



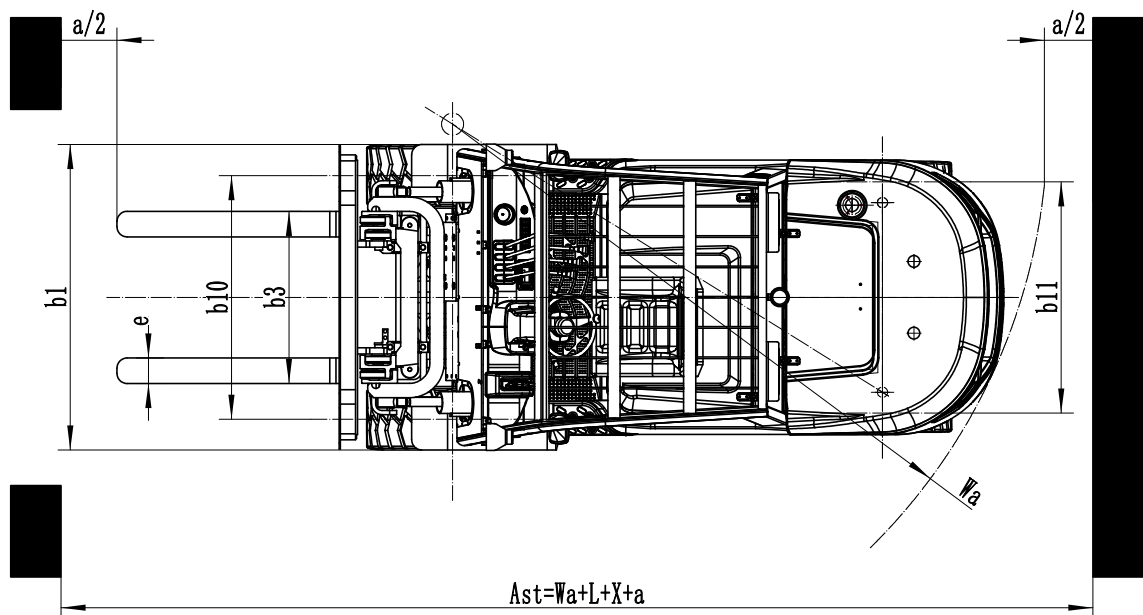
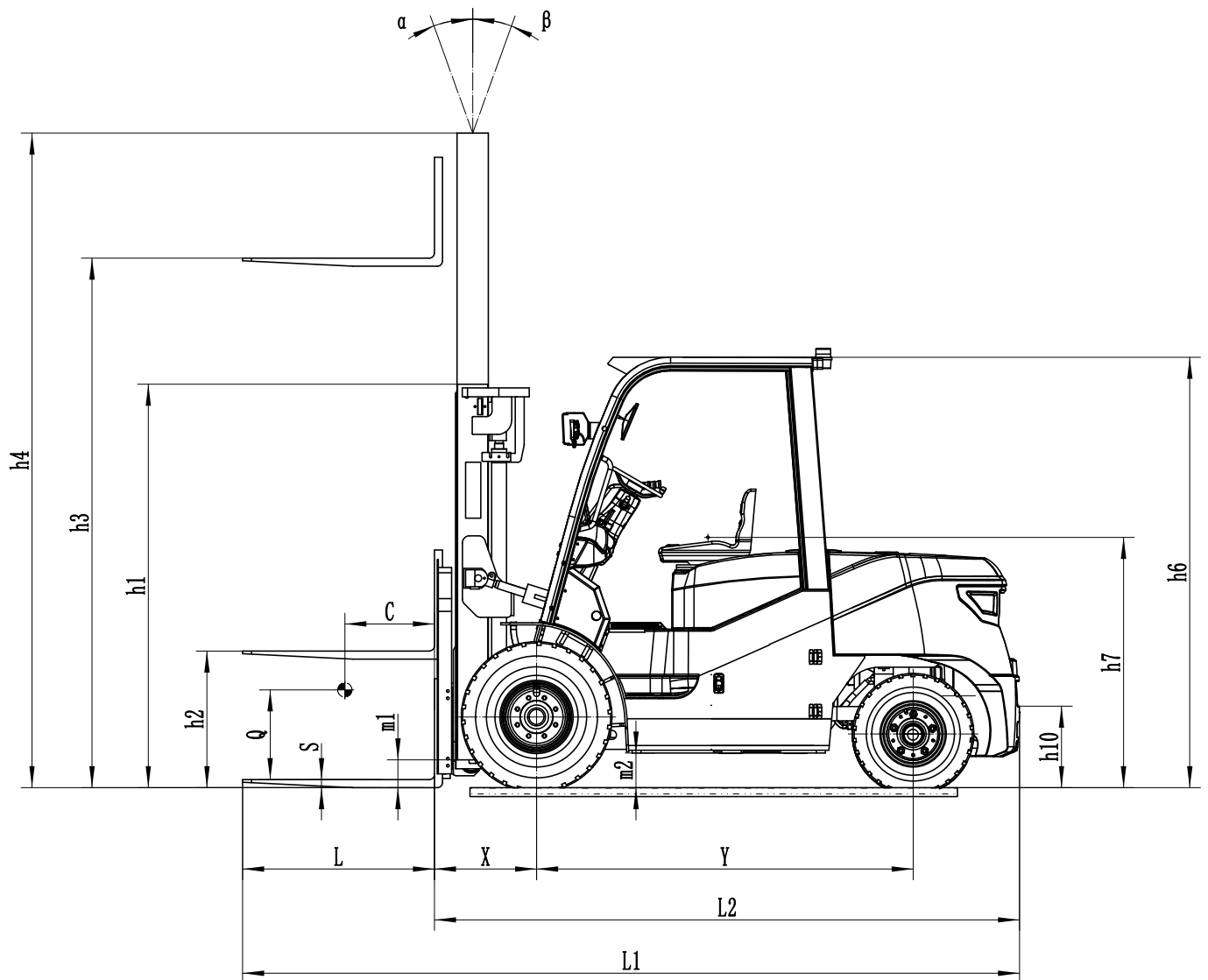
J4.0-4.5XTLG SPECIFICATIONS

		Distinguishing Marks		
		J4.0XTLG	J4.5XTLG	
DISTINGUISHING MARKS	1.1	Manufacturer	Hyster	
	1.2	Model designation	J4.0XTLG J4.5XTLG	
	1.3	Drive: electric(battery or mains), diesel, petrol, fuel gas	Electric	
	1.4	Operator type: hand, pedestrian, standing, seated, order-picker	Seat	
	1.5	Rated capacity/rated load	Q (kg) 4000 4500	
	1.6	Load centre distance	c (mm) 500	
	1.8	Load distance, centre of drive axle to fork	x (mm) 575	
	1.9	Wheelbase (with mast vertical)	y (mm) 2100	
	WEIGHTS	2.1	Service weight	kg 6515 6750
2.2		Axle loading, laden front/rear	kg 9253/1262 9900/1350	
2.3		Axle loading, unladen front/rear	kg 2932/3583 3100/3650	
TYRES/CHASSIS	3.1	Tyres: Solid rubber, superelastic, pneumatic, polyurethane	Pneumatic	
	3.2	Tyre size, front	300-15-18PR	
	3.3	Tyre size, rear	7.00-12-12PR	
	3.5	Wheels, number front/rear	2x2	
	3.6	Tread, front	b ₁₀ (mm) 1190	
	3.7	Tread, rear	b ₁₁ (mm) 1130	
	DIMENSIONS	4.1	Tilt of mast/fork carriage, forward/backward	α / β (°) 6/12
4.2		Height, mast lowered	h ₁ (mm) 2250	
4.3		Free lift	h ₂ (mm) 150	
4.4		Lift	h ₃ (mm) 3000	
4.5		Height, mast extended	h ₄ (mm) 4260	
4.7		Height of overhead guard (cabin)	h _e (mm) 2250 (2400)	
4.8		Seat height/stand height	h ₇ (mm) 1350	
4.12		Towing coupling height	h ₁₀ (mm) 340	
4.19		Overall length	l ₁ (mm) 4280	
4.20		Length to face of forks	l ₂ (mm) 3210	
4.21		Overall width	b ₁ (mm) 1490/1924	
4.22		Fork dimensions ISO2331	s/e/l (mm) 50/150/1070	
4.23		Fork carriage ISO 2328. Class/type, A/B	ISO 3A	
4.24		Fork carriage width	b ₃ (mm) 1380	
4.31		Ground clearance, laden, below mast	m ₁ (mm) 130	
4.32		Ground clearance, centre of wheelbase	m ₂ (mm) 186	
4.33		Load dimension b ₁₂ x l ₆ crossways	b ₁₂ x l ₆ (mm) 1000x1000	
4.34.1		Aisle width with pallets 1000mm x 1200mm crossways	A _{st} (mm) 4825	
4.35		Turning radius	W _a (mm) 2850	
4.36		Inner turning radius	b ₁₃ (mm) 845	
PERFORMANCE DATA	5.1	Travel speed, laden/unladen	km/h 18/18	
	5.1.1	Travel speed, laden/unladen, backwards	km/h 18/18	
	5.2	Lifting speed, laden/unladen	mm/s 400/480	
	5.3	Lowering speed laden/unladen	mm/s 480/500	
	5.5	Drawbar pull laden/unladen	N 33000/25000	
	5.8	Maximum gradeability, laden/unladen	% 20/25	
	5.9	Acceleration time, laden/unladen 15m	sec 6.1/5.14	
	5.10	Service brake	Hydraulic	
	ELECTRIC-ENGINE	6.1	Drive motor rating S2 60 min	Kw 30KW/2400rpm
		6.2	Lift motor rating at S3 15 %	Kw 25KW
6.3		Battery according to DIN 43531/35/36 A, B, C, no	No	
6.4		Battery voltage/nominal capacity K5	(V)/(Ah) 153.6V/302Ah	
6.5		Battery weight	kg 420	
6.6		Energy consumption according to VDI cycle	kWh/h 13.29	
6.7		Turnover output	t/h 161	
6.8		Energy consumption at turnover output	kWh in 1 h 8.4	
ADDITIONAL DATA	8.1	Type of drive unit	PM AC	
	10.1	Operating pressure for attachments	bar 195	
	10.2	Oil volume for attachments	l/min 70	
	10.7	Sound pressure level at the driver's seat	dB (A) 69.4	
	10.7.1	Sound power level during the workcycle	dB (A) 86.2	
	10.8	Towing coupling, type DIN	PIN	

J5.0XTLG(S6) SPECIFICATIONS

		J5.0XTLG		J5.0XTLGS6			
DISTINGUISHING MARKS	1.1	Manufacturer	Hyster				
	1.2	Model designation	J5.0XTLG		J5.0XTLGS6		
	1.3	Drive: electric(battery or mains), diesel, petrol, fuel gas	Electric				
	1.4	Operator type: hand, pedestrian, standing, seated, order-picker	Seat				
	1.5	Rated capacity/rated load	Q (kg)	5000			
	1.6	Load centre distance	c (mm)	500	600		
	1.8	Load distance, centre of drive axle to fork	x (mm)	580			
	1.9	Wheelbase (with mast vertical)	y (mm)	2100			
	WEIGHTS	2.1	Service weight	kg			7135
2.2		Axle loading, laden front/rear	kg		10707/1428	10899/1486	
2.3		Axle loading, unladen front/rear	kg		3135/4000	3323/4062	
TYRES/CHASSIS	3.1	Tyres: Solid rubber, superelastic, pneumatic, polyurethane	Pneumatic				
	3.2	Tyre size, front	300-15-18PR				
	3.3	Tyre size, rear	7.00-12-12PR				
	3.5	Wheels, number front/rear	2x2				
	3.6	Tread, front	b10 (mm)	1190			
	3.7	Tread, rear	b11 (mm)	1130			
	DIMENSIONS	4.1	Tilt of mast/fork carriage, forward/backward	α / β (°)		6/12	
4.2		Height, mast lowered	h1 (mm)		2250		
4.3		Free lift	h2 (mm)		155	160	
4.4		Lift	h3 (mm)		3000		
4.5		Height, mast extended	h4 (mm)		4260	4420	
4.7		Height of overhead guard (cabin)	he (mm)		2250 (2400)		
4.8		Seat height/stand height	hr (mm)		1350		
4.12		Towing coupling height	h10 (mm)		340		
4.19		Overall length	l1 (mm)		4345	4530	
4.20		Length to face of forks	l2 (mm)		3275	3310	
4.21		Overall width	b1 (mm)		1490/1924		
4.22		Fork dimensions ISO2331	s/e/l (mm)		50/150/1070	60/150/1220	
4.23		Fork carriage ISO 2328. Class/type, A/B			ISO 3A	ISO 4A	
4.24		Fork carriage width	b3 (mm)		1380		
4.31		Ground clearance, laden, below mast	m1 (mm)		130		
4.32		Ground clearance, centre of wheelbase	m2 (mm)		186		
4.33		Load dimension b12 x l6 crossways	b12 x l6 (mm)		1000x1000		
4.34.1		Aisle width with pallets 1000mm x 1200mm crossways	Ast (mm)		4885	4935	
4.35		Turning radius	Wa (mm)		2905	2930	
4.36		Inner turning radius	b13 (mm)		845		
PERFORMANCE DATA	5.1	Travel speed, laden/unladen	km/h		18/18		
	5.1.1	Travel speed, laden/unladen, backwards	km/h		18/18		
	5.2	Lifting speed, laden/unladen	mm/s		400/480		
	5.3	Lowering speed laden/unladen	mm/s		480/500		
	5.5	Drawbar pull laden/unladen	N		33000/25000		
	5.8	Maximum gradeability, laden/unladen	%		20/25		
	5.9	Acceleration time, laden/unladen 15m	sec		6.1/5.14		
	5.10	Service brake	Hydraulic				
	ELECTRIC-ENGINE	6.1	Drive motor rating S2 60 min	Kw		30KW/2400rpm	
		6.2	Lift motor rating at S3 15 %	Kw		25KW	
6.3		Battery according to DIN 43531/35/36 A, B, C, no	No				
6.4		Battery voltage/nominal capacity K5	(V)/(Ah)		153.6V/302Ah		
6.5		Battery weight	kg		420		
6.6		Energy consumption according to VDI cycle	kWh/h		13.29		
6.7		Turnover output	t/h		161		
6.8		Energy consumption at turnover output	kWh in 1 h		8.4		
8.1	Type of drive unit	PM AC					
ADDITIONAL DATA	10.1	Operating pressure for attachments	bar		195		
	10.2	Oil volume for attachments	l/min		70		
	10.7	Sound pressure level at the driver's seat	dB (A)		69.4		
	10.7.1	Sound power level during the workcycle	dB (A)		86.2		
	10.8	Towing coupling, type DIN	PIN				

TRUCK DIMENSIONS



J4.0-5.0XTLG MAST DIMENSIONS

Maximum Fork Height	Overall Extended Height						Free lift				Load Distance		Mast Tilt		Capacity 500mm load centre Front single tyre			Mast weight	
	Lowered Height		Without LBR		With LBR		Without LBR		With LBR		4.0-4.5T	5.0T	Forward	Back	4.0T	4.5T	mini 5T	4-4.5T	mini5T
	4.0-4.5T	5.0T	4.0-4.5T	5.0T	4.0-4.5T	5.0T	4.0-4.5T	5.0T											
(mm)	(mm)	(mm)	(mm)	(mm)	(mm)	(mm)	(mm)	(mm)	(mm)	(mm)	(mm)	(°)	(°)	(kg)	(kg)	(kg)	(kg)	(kg)	
2-Stage Limited Free-Lift (LFL) Mast																			
3000	2250	2250	3855	3855	4260	4260	150	155	150	155	575	580	6	12	4000	4500	5000	1310	1325
3300	2400	2400	4155	4155	4560	4560	150	155	150	155	575	580	6	12	4000	4500	5000	1335	1350
3500	2500	2500	4355	4355	4760	4760	150	155	150	155	575	580	6	12	4000	4500	5000	1360	1375
3700	2600	2600	4605	4605	5010	5010	150	155	150	155	575	580	6	12	4000	4500	5000	1370	1385
4000	2800	2800	4855	4855	5260	5260	150	155	150	155	575	580	6	12	3790	4360	4940	1420	1435
4500	3050	3050	5355	5355	5760	5760	150	155	150	155	575	580	6	6	3600	4140	4760	1490	1505
5000	3300	3300	5855	5855	6260	6260	150	155	150	155	575	580	6	6	3070	3570	4140	1540	1555
5500	3600	3600	6355	6355	6760	6760	150	155	150	155	575	580	3	6	2600	3080	3630	1630	1645
6000	3850	3850	6855	6855	7260	7260	150	155	150	155	575	580	3	6	2180	2640	3150	1680	1695
2-Stage Full Free-Lift (FFL) Mast																			
3000	2250	2250	3855	3855	4250	4250	1425	1430	1030	585	590	6	12	4000	4500	5000	1420	1435	
3300	2400	2400	4155	4155	4550	4550	1575	1580	1180	585	590	6	12	4000	4500	5000	1430	1465	
3500	2500	2500	4355	4355	4750	4750	1675	1680	1280	585	590	6	12	4000	4500	5000	1470	1485	
3750	2625	2625	4605	4605	5000	5000	1800	1805	1405	585	590	6	12	4000	4500	5000	1500	1515	
4000	2800	2800	4855	4855	5250	5250	1975	1980	1580	585	590	6	12	3740	4290	4900	1540	1555	
3-Stage Full Free-Lift (FFL) Mast																			
4000	2110	2110	4880	4880	5265	5265	1275	1280	885	630	635	6	6	3710	4120	4550	1760	1775	
4350	2235	2235	5230	5230	5615	5615	1395	1400	1010	630	635	6	6	3410	3790	4310	1800	1815	
4500	2285	2285	5385	5385	5770	5770	1450	1455	1060	630	635	6	6	3280	3650	4160	1820	1835	
4800	2385	2385	5685	5685	6070	6070	1545	1550	1160	630	635	6	6	3020	3380	3870	1860	1875	
5000	2485	2485	5880	5880	6265	6265	1645	1650	1260	630	635	6	6	2890	3260	3730	1900	1915	
5400	2610	2610	6275	6275	6660	6660	1770	1775	1385	630	635	3	6	2550	2910	3350	1940	1955	
6000	2850	2850	6875	6875	7260	7260	2010	2015	1625	630	635	3	6	2160	2510	2930	2090	2105	
6500	3050	3050	7375	7375	7760	7760	2210	2215	1825	630	635	3	6	1870	2210	2620	2240	2255	

J5.0XTLG(S6) MAST DIMENSIONS

Maximum Fork Height	Overall Extended Height						Free lift		Load Distance	Mast Tilt		Capacity 600mm load centre		Mast weight
	Lowered Height		Without LBR		With LBR		Without LBR			LBR		Front Single Pneu Tyres	Front Dual Pneu Tyres	
	5T @ 600mm	5T @ 600mm	5T @ 600mm	5T @ 600mm	5T @ 600mm	5T @ 600mm	5T @ 600mm	5T @ 600mm	5T @ 600mm	5T @ 600mm	5T @ 600mm	5T @ 600mm	5T @ 600mm	
(mm)	(mm)	(mm)	(mm)	(mm)	(mm)	(mm)	(mm)	(mm)	(°)	(°)	(kg)	(kg)	(kg)	
2-Stage Limited Free-Lift (LFL) Mast														
3000	2250	3855	4420	160	160	585	6	12	5000	5000	1440			
3300	2400	4155	4720	160	160	585	6	12	5000	5000	1465			
3500	2500	4355	4920	160	160	585	6	12	5000	5000	1490			
3700	2600	4605	5170	160	160	585	6	12	5000	5000	1500			
4000	2800	4855	5420	160	160	585	6	12	4880	5000	1550			
4500	3050	5355	5920	160	160	585	6	6	4610	4550	1620			
5000	3300	5855	6420	160	160	585	6	6	4030	3750	1670			
5500	3600	6355	6920	160	160	585	3	6	3550	3350	1760			
6000	3850	6855	7420	160	160	585	3	6	3080	2950	1810			
2-Stage Full Free-Lift (FFL) Mast														
3000	2250	3855	4410	1435	875	595	6	12	5000	5000	1550			
3300	2400	4155	4710	1585	1025	595	6	12	5000	5000	1580			
3500	2500	4355	4910	1685	1125	595	6	12	5000	5000	1600			
3750	2625	4605	5160	1810	1250	595	6	12	5000	5000	1630			
4000	2800	4855	5410	1985	1425	595	6	12	4770	5000	1670			
3-Stage Full Free-Lift (FFL) Mast														
4000	2110	4880	5425	1285	735	640	6	6	4560	4750	1890			
4350	2235	5230	5775	1405	860	640	6	6	4200	4500	1930			
4500	2285	5385	5930	1460	910	640	6	6	4050	4250	1950			
4800	2385	5685	6230	1555	1010	640	6	6	3780	4000	1990			
5000	2485	5880	6425	1655	1110	640	6	6	3640	3650	2030			
5400	2610	6275	6820	1780	1235	640	3	6	3270	3350	2070			
6000	2850	6875	7420	2020	1475	640	3	6	2870	2950	2220			
6500	3050	7375	7920	2220	1675	640	3	6	2560	2650	2370			

Note: For integral sideload deduct 50kg from stated capacity, all ratings with 1070 mm forks, dual tyre capacities available upon request

HYSTER[®] DEALERS



Contact your nearest
Hyster[®] Dealership by
visiting www.hyster.com



HYSTER PACIFIC

1/23 Rowood Road, Prospect NSW 2148
Tel: +61 (2) 9795 3800 Fax: +61 (2) 9792 8484

HYSTER ASIA

2 Venture Drive, #23-28 Vision Exchange, Singapore 608526
Tel: +65 6863 3387 Fax: +65 6863 3349

www.hyster.com



HysterAsiaPacific



HysterAsiaPacific



Hyster Asia-Pacific