



**STRONG PARTNERS.
TOUGH TRUCKS.™**

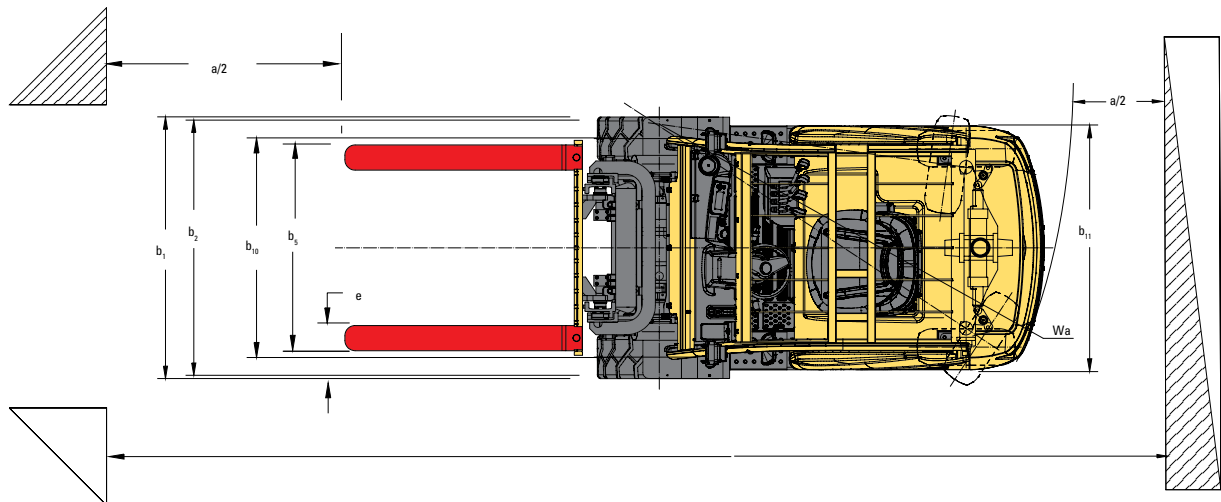
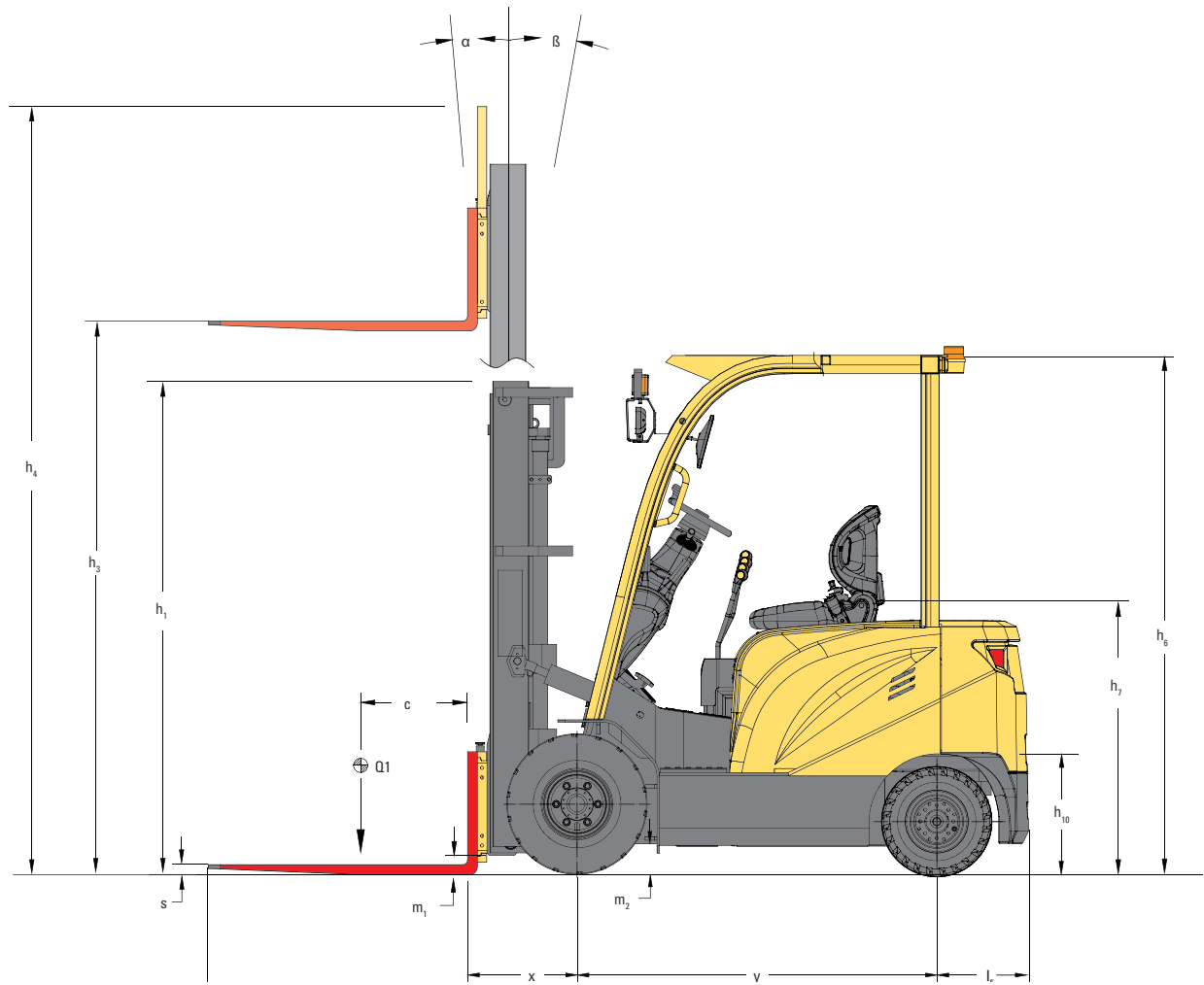


TECHNICAL GUIDE J1.5-3.5UT SERIES



WWW.HYSTER.COM

> TRUCK DIMENSIONS



MAST AND CAPACITY INFORMATION



J1.5-1.8UT RATED CAPACITY KG@ 500 MM LOAD CENTRE

	Maximum fork height $h_3 + s$ (mm)	Mast tilt		Lowered height h_1 (mm)		Extended height h_4 (mm) (1)		Extended height h_4 (mm) (2)		Free lift height $h_2 + s$ (m) (1)	Load center 500mm	
		FWD tilt (°)	Back tilt (°)	J1.5UT	J1.8UT	J1.5UT	J1.8UT	J1.5UT	J1.8UT		J1.5UT	J1.8UT
2-STAGE LIMITED FREE LIFT	3300	5	10	2140	2140	4284	4284	3813	3813	135	1500	1800
	3500	5	10	2240	2240	4484	4484	4013	4013	135	1500	1800
	4000	5	10	2540	2540	4984	4984	4513	4513	135	1400	1700
3-STAGE FULL FREE LIFT	4500	5	6	2040	2040	5484	5484	5013	5013	1470	1200	1400
	4800	5	6	2140	2140	5784	5784	5313	5313	1570	1100	1200
	5500	3	6	2405	2405	6484	6484	6013	6013	1835	750	850
	6000	3	6	2590	2590	6984	6984	6513	6513	2040	450	550

J2.0-2.5UT RATED CAPACITY KG@ 500 MM LOAD CENTRE

	Maximum fork height $h_3 + s$ (mm)	Mast tilt		Lowered height h_1 (mm)		Extended height h_4 (mm) (1)		Extended height h_4 (mm) (2)		Free lift height $h_2 + s$ (m) (1)	Load center 500mm	
		FWD tilt (°)	Back tilt (°)	J2.0UT	J2.5UT	J2.0UT	J2.5UT	J2.0UT	J2.5UT		J2.0UT	J2.5UT
2-STAGE LIMITED FREE LIFT	3300	5	10	2165	2165	3915	3915	4317	4317	140	2000	2500
	3500	5	10	2265	2265	4115	4115	4517	4517	140	2000	2500
	4000	5	10	2565	2565	4615	4615	5017	5017	140	2000	2500
3-STAGE FULL FREE LIFT	4500	5	6	2075	2075	5171	5171	5516	5516	1440	1600	2000
	4800	5	6	2175	2175	5471	5471	5816	5816	1540	1250	1700
	5500	3	6	2440	2440	6171	6171	6516	6516	1800	900	1200
	6000	3	6	2625	2625	6671	6671	7016	7016	1990	700	800

J3.0UT RATED CAPACITY KG@ 500 MM LOAD CENTRE

	Maximum fork height $h_3 + s$ (mm)	Mast tilt		Lowered height h_1 (mm)	Extended height h_4 (mm) (1)	Extended height h_4 (mm) (2)	Free lift height $h_2 + s$ (m) (1)	Load center 500mm
		FWD tilt (°)	Back tilt (°)	J3.0UT	J3.0UT	J3.0UT		J3.0UT
2-STAGE LIMITED FREE LIFT	3300	5	10	2195	3940	4440	165	3000
	3500	5	10	2295	4140	4640	165	3000
	4000	5	10	2595	4640	5140	165	2850
3-STAGE FULL FREE LIFT	4500	5	6	2095	5165	5640	1510	2500
	4800	5	6	2195	5465	5940	1610	2250
	5500	3	6	2460	6165	6640	1865	1600
	6000	3	6	2645	6665	7140	2060	1200

J3.5UT RATED CAPACITY KG@ 500 MM LOAD CENTRE

	Maximum fork height $h_3 + s$ (mm)	Mast tilt		Lowered height h_1 (mm)	Extended height h_4 (mm) (1)	Extended height h_4 (mm) (2)	Free lift height $h_2 + s$ (m) (1)	Load center 500mm
		FWD tilt (°)	Back tilt (°)	J3.5UT	J3.5UT	J3.5UT		J3.5UT
2-STAGE LIMITED FREE LIFT	3300	5	10	2270	4010	4440	170	3500
	3500	5	10	2370	4210	4640	170	3500
	4000	5	10	2670	4710	5140	170	3300
3-STAGE FULL FREE LIFT	4500	5	6	2170	5250	5650	1510	2800
	4800	5	6	2270	5550	5950	1610	2500
	5500	3	6	2535	6250	6650	1865	1700
	6000	3	6	2720	6750	7150	2060	1300

> J1.5UT / J1.8UT / J2.0UT

					HYSTER		HYSTER		HYSTER		
					J1.5UT		J1.8UT		J2.0UT		
GENERAL	1-1	Manufacturer				HYSTER		HYSTER		HYSTER	
	1-2	Model designation				J1.5UT		J1.8UT		J2.0UT	
	1-3	Drive				Electric (battery)		Electric (battery)		Electric (battery)	
	1-4	Operator type				Seated		Seated		Seated	
	1-5	Rated capacity/rated load	Q ₁	t	1500		1800		2000		
	1-6	Load centre distance	c	mm	500		500		500		
	1-8	Load distance, centre of drive axle to fork	x	mm	410		410		454		
	1-9	Wheelbase	y	mm	1380		1380		1485		
	WEIGHT	2-1	Service weight				3030		3310		4040
2-2		Axle loading with load, front / rear				3940 590		4594 625		5110 930	
2-3		Axle loading without load, front / rear				1490 1590		1431 1878		1770 2270	
WHEELS	3-1	Tyre type				Superelastic		Superelastic		Superelastic	
	3-2	Tyre size, front				6.00-9		21x8-9		23x9-10	
	3-3	Tyre size, rear				5.00-8		5.00-8		18x7-8	
	3-5	Wheels, number front / rear (x = driven wheels)				2x/2		2x/2		2x/2	
	3-6	Tread, front	b ₁₀	mm	955		955		1058		
	3-7	Tread, rear	b ₁₁	mm	920		920		960		
	DIMENSIONS	4-1	Tilt of mast / fork carriage forward / backward		(°)		5 / 10		5 / 10		5 / 10
4-2		Height, mast lowered		h ₁ mm		2000		2000		2015	
4-3		Free lift (1)		h ₂ mm		135		135		140	
4-4		Lift		h ₃ mm		3000		3000		3000	
4-5		Height, mast extended (3)		h ₄ mm		3980		3980		3980	
4-7		Height of overhead guard (cabin) (4)		h ₆ mm		2155		2155		2152	
4-8		Seat height relating to SIP (2)		h ₇ mm		1080		1080		1080	
4-12		Coupling height		h ₁₀ mm		290		290		250	
4-19		Overall length		l ₁ mm		3026		3026		3372	
4-20		Length to face of forks		l ₂ mm		2106		2106		2302	
4-21		Overall width		b ₁ /b ₂ mm		1120		1120		1285	
4-22		Fork dimensions DIN ISO 2331		s/e/l mm		35 / 100 / 920		35 / 100 / 920		40 / 122 / 1070	
4-23		Fork carriage ISO 2328, class/type A, B		mm		2A		2A		2A	
4-24		Fork carriage width (3)		b ₃ mm		1040		1040		1040	
4-25		Distance between fork-arms		b ₅ mm		200/890		200/890		250 / 1000	
4-31		Ground clearance, laden, below mast		m ₁ mm		95		95		65	
4-32		Ground clearance, centre of wheelbase		m ₂ mm		105		105		95	
4-34-1		Aisle width for pallets 1000 × 1200 crossways		Ast mm		3580		3580		3879	
4-34-4		Aisle width for pallets 800 × 1200 lengthways		Ast mm		3780		3780		4009	
4-35		Turning radius		W _a mm		1970		1970		2155	
4-36		Internal turning radius		b ₁₃ mm		703		703		599	
PERFORMANCE		5-1	Travel speed with / without load		km h		15.0 15.7		14.8 15.7		15.7 15.7
	5-2	Lifting speed with / without load		mm s		370 512		315 512		333 500	
	5-3	Lowering speed with / without load		mm s		400 502		390 502		434 415	
	5-6	Max. drawbar pull with / without load, 3 minute rating		N		10800 8700		10800 8700		14400 10500	
	5-7	Max. gradeability with / without load, 3 minute rating		%		16 23		15 22		20 23	
	5-9	Acceleration time, with / without load		s		5.12 4.75		5.25 4.75		5.20 4.78	
5-10	Service brake				Hydraulic		Hydraulic		Hydraulic		
MOTOR	6-1	Drive motor rating S2 60 min		kW		6.5		6.5		8.5	
	6-2	Lift motor rating at S3 15% rating		kW		8.6		8.6		11.0	
	6-3	Battery according to DIN 43531/35/36 A, B, C, no		m s		no		no		no	
	6-4	Battery voltage/nominal capacity K5		V Ah		48 420		48 420		48 600	
	6-5	Battery weight		kg		720		720		970	
	6-6	Power consumption in accordance with VDI cycle		kWh h		4.15		4.35		4.95	
OTHER	8-1	Type of drive unit				AC / Curtis		AC / Curtis		AC / Curtis	
	10-1	Operating pressure for attachments (5)		bar		138		180		180	
	10-3	Oil volume for attachments		l min		38		38		38	
	10-4	Sound pressure level at the driver's seat L _{PAZ} (6)		dB A		70.4		70.4		67.9	
	10-5	Towing coupling, type DIN				Yes / Pin		Yes / Pin		Yes / Pin	

MODEL TABLE NOTES:

Specifications are affected by the condition of the vehicle and how it is equipped, as well as the nature and condition of the operating area. Inform your dealer of the nature and condition of the intended operating area when purchasing your Hyster® truck.

- (1) Bottom of forks
- (2) Full suspension seat in depressed position.
- (3) Without load backrest
- (4) h₆ subject to +/- 5 mm tolerance.

(5) Variable

(6) LPAZ, measured according to the test cycles and based on the weighting values contained in EN12053

All values are nominal values and they are subject to tolerances. For further information, please contact the manufacturer.

Specification data is based on VDI 2198.

					HYSTER		HYSTER		HYSTER	
					J2.5UT		J3.0UT		J3.5UT	
GENERAL	1-1	Manufacturer			HYSTER		HYSTER		HYSTER	
	1-2	Model designation			J2.5UT		J3.0UT		J3.5UT	
	1-3	Drive			Electric (battery)		Electric (battery)		Electric (battery)	
	1-4	Operator type			Seated		Seated		Seated	
	1-5	Rated capacity/rated load	Q ₁	t	2500		3000		3500	
	1-6	Load centre distance	c	mm	500		500		500	
	1-8	Load distance, centre of drive axle to fork	x	mm	454		475		495.5	
	1-9	Wheelbase	y	mm	1485		1670		1690	
	WEIGHT	2-1	Service weight		kg	4226		4910		5310
2-2		Axle loading with load, front / rear		kg	5720	1006	6830	970	7956	894
2-3		Axle loading without load, front / rear		kg	1748	2478	2220	2700	2294	3015
WHEELS	3-1	Tyre type			Superelastic		Superelastic		Superelastic	
	3-2	Tyre size, front			23x9-10		23x9-10		23x10-12	
	3-3	Tyre size, front			18x7-8		18x7-8		200/50-10	
	3-5	Wheels, number front / rear (x = driven wheels)			2x/2		2x/2		2x/2	
	3-6	Tread, front	b ₁₀	mm	1058		1065		1124	
	3-7	Tread, rear	b ₁₁	mm	960		980		1010	
	3-8	Tilt of mast / fork carriage forward / backward		(°)	5 / 10		5 / 10		5 / 10	
DIMENSIONS	4-2	Height, mast lowered	h ₁	mm	2015		2045		2120	
	4-3	Free lift (1)	h ₂	mm	140		165		165	
	4-4	Lift	h ₃	mm	3000		3000		3000	
	4-5	Height, mast extended (3)	h ₄	mm	3980		3980		3980	
	4-7	Height of overhead guard (cabin) (4)	h ₆	mm	2152		2152		2138	
	4-8	Seat height relating to SIP (2)	h ₇	mm	1080		1080		1080	
	4-12	Coupling height	h ₁₀	mm	250		270		270	
	4-19	Overall length	l ₁	mm	3387		3614		3759	
	4-20	Length to face of forks	l ₂	mm	2317		2544		2689	
	4-21	Overall width	b ₁ /b ₂	mm	1285		1285		1365	
	4-22	Fork dimensions DIN ISO 2331	s/e/l	mm	40 / 122 / 1070		45 / 122 / 1070		50 / 122 / 1070	
	4-23	Fork carriage ISO 2328, class/type A, B		mm	2A		3A		3A	
	4-24	Fork carriage width (3)	b ₃	mm	1040		1100		1100	
	4-25	Distance between fork-arms	b ₅	mm	250 / 1000		290 / 1060		290 / 1060	
	4-31	Ground clearance, laden, below mast	m ₁	mm	65		65		80	
	4-32	Ground clearance, centre of wheelbase	m ₂	mm	95		110		83	
	4-34-1	Aisle width for pallets 1000 × 1200 crossways	A _{st}	mm	3879		4025		4101	
	4-34-4	Aisle width for pallets 800 × 1200 lengthways	A _{st}	mm	4009		4225		4301	
	4-35	Turning radius	W _a	mm	2155		2349		2405	
	4-36	Internal turning radius	b ₁₃	mm	599		830		815	
	PERFORMANCE	5-1	Travel speed with / without load	km	h	14.9	15.7	15.0	16.0	15.0
5-2		Lifting speed with / without load	mm	s	307	500	385	500	282	500
5-3		Lowering speed with / without load	mm	s	405	415	420	475	400	355
5-6		Max. drawbar pull with / without load, 3 minute rating	N		14400	10500	21000	11500	21000	11500
5-7		Max. gradeability with / without load, 3 minute rating	%		18.0	22.0	20.0	23.0	15.0	22.0
5-9		Acceleration time, with / without load	s		5.25	4.78	5.05	4.86	5.62	5.32
5-10		Service brake			Hydraulic		Hydraulic		Hydraulic	
6-1		Drive motor rating S2 60 min	kW		8.5		11.5		11.5	
6-2		Lift motor rating at S3 15% rating	kW		11.0		15.0		15.0	
6-3		Battery according to DIN 43531/35/36 A, B, C, no	m	s	no		no		no	
MOTOR	6-4	Battery voltage/nominal capacity K5	V	Ah	48	600	80	500	80	500
	6-5	Battery weight	kg		970		1422		1422	
	6-6	Power consumption in accordance with VDI cycle	kWh	h	6.13		6.32		6.90	
	8-1	Type of drive unit			AC / Curtis		AC / Curtis		AC / Curtis	
	10-1	Operating pressure for attachments (5)	bar		180		180		180	
	10-3	Oil volume for attachments	l	min	38		38		38	
OTHER	10-4	Sound pressure level at the driver's seat L _{PAZ} (6)	dB	A	67.9		70.0		70.0	
	10-5	Towing coupling, type DIN			Yes / Pin		Yes / Pin		Yes / Pin	

MAST CAPACITY TABLE NOTES:

- (1) Without load backrest
- (2) With load backrest

NOTICE:

Care must be exercised when handling elevated loads. Operators must be trained and must read, understand and follow the instructions contained in the Operating Manual.

All values are nominal values and they are subject to tolerances. For further information, please contact the manufacturer.

Hyster products are subject to change without notice. Lift trucks illustrated may feature optional equipment. Values may vary with alternative configurations.

CE Safety: This truck conforms to the current EU and ANSI requirements.

> STANDARD AND OPTIONAL EQUIPMENT

PERFORMANCE	J1.5UT	J1.8UT	J2.0UT	J2.5UT	J3.0UT	J3.5UT
2 stage limited free lift mast	STD	STD	STD	STD	STD	STD
3 stage full free lift mast	OPT	OPT	OPT	OPT	OPT	OPT
Lift height - 3300mm (2140mm lowered height)	STD	STD	-	-	-	-
Lift height - 3300mm (2165mm lowered height)	-	-	STD	STD	-	-
Lift height - 3300mm (2195mm lowered height)	-	-	-	-	STD	-
Lift height - 3300mm (2270mm lowered height)	-	-	-	-	-	STD
Various other lift heights	OPT	OPT	OPT	OPT	OPT	OPT
Mast tilt - 5° forward / 6° back	STD	STD	STD	STD	STD	STD
Mast tilt options, lift height dependant	OPT	OPT	OPT	OPT	OPT	OPT
DRIVE	J1.5UT	J1.8UT	J2.0UT	J2.5UT	J3.0UT	J3.5UT
Traction speed limiter pre-set to 13km/h (adjustable)	OPT	OPT	OPT	OPT	OPT	OPT
6.00-9 Pneumatic drive tyres	OPT	-	-	-	-	-
6.00-9 Super elastic drive tyres	STD	-	-	-	-	-
6.00-9 Non-marking superelastic drive tyres	OPT	-	-	-	-	-
21x8-9 Pneumatic drive tyres	-	OPT	-	-	-	-
21x8-9 Superelastic drive tyres	-	STD	-	-	-	-
21x8-9 Non-marking superelastic drive tyres	-	OPT	-	-	-	-
23x9-10 Pneumatic drive tyres	-	-	OPT	OPT	OPT	-
23x9-10 Superelastic drive tyres	-	-	STD	STD	STD	-
23x9-10 Non-marking superelastic drive tyres	-	-	OPT	OPT	OPT	-
23x10-12 Superelastic drive tyres	-	-	-	-	-	STD
23x10-12 Non-marking superelastic drive tyres	-	-	-	-	-	OPT
5.00-8 Pneumatic steer tyres	OPT	OPT	-	-	-	-
5.00-8 Superelastic steer tyres	STD	STD	-	-	-	-
5.00-8 Non-marking superelastic steer tyres	OPT	OPT	-	-	-	-
18x7-8 Pneumatic steer tyres	-	-	OPT	OPT	OPT	-
18x7-8 Superelastic steer tyres	-	-	STD	STD	STD	-
18x7-8 Non-marking superelastic steer tyres	-	-	OPT	OPT	OPT	-
200/50-10 Superelastic steer tyres	-	-	-	-	-	STD
200/50-10 Non-marking superelastic steer tyres	-	-	-	-	-	OPT
HANDLING	J1.5UT	J1.8UT	J2.0UT	J2.5UT	J3.0UT	J3.5UT
Manual lever hydraulic controls	STD	STD	STD	STD	STD	STD
2 Function (0 auxiliary) hydraulic valve	STD	STD	STD	STD	STD	STD
3 Function (1 auxiliary) hydraulic valve	OPT	OPT	OPT	OPT	OPT	OPT
4 Function (2 auxiliary) hydraulic valve	OPT	OPT	OPT	OPT	OPT	OPT
3 Function hose group (1 auxiliary)	OPT	OPT	OPT	OPT	OPT	OPT
4 Function hose group (2 auxiliary)	OPT	OPT	OPT	OPT	OPT	OPT
970mm Hook type carriage	STD	STD	-	-	-	-
1040mm Hook type carriage	-	-	STD	STD	-	-
1100mm Hook type carriage	-	-	-	-	STD	STD
930mm Integral sideshift carriage	OPT	OPT	-	-	-	-
1040mm Integral sideshift carriage	-	-	OPT	OPT	-	-
1100mm Integral sideshift carriage	-	-	-	-	OPT	OPT
930mm Load backrest	STD	STD	-	-	-	-
940mm Load backrest	-	-	STD	STD	-	-
1080mm Load backrest	-	-	-	-	STD	STD
35 x 100 x 920mm Hook type standard tapered forks	STD	STD	-	-	-	-
40 x 122 x 1070mm Hook type standard tapered forks	-	-	STD	STD	-	-
45 x 122 x 1070mm Hook type standard tapered forks	-	-	-	-	STD	-
50 x 122 x 1070mm Hook type standard taper forks	-	-	-	-	-	STD
Other various fork sizes	OPT	OPT	OPT	OPT	OPT	OPT
ERGONOMICS	J1.5UT	J1.8UT	J2.0UT	J2.5UT	J3.0UT	J3.5UT
2155mm Overhead guard	STD	STD	-	-	-	-
2152mm Overhead guard	-	-	STD	STD	STD	-
2138mm Overhead guard	-	-	-	-	-	STD
Standard construction	STD	STD	STD	STD	STD	STD
Full steel cab	OPT	OPT	OPT	OPT	OPT	OPT
Full suspension vinyl seat (SC29) *	STD	STD	STD	STD	STD	STD
Non-suspension vinyl seat with folding backrest *	STD	STD	STD	STD	STD	STD

STANDARD AND OPTIONAL EQUIPMENT

ERGONOMICS <i>(continued)</i>	J1.5UT	J1.8UT	J2.0UT	J2.5UT	J3.0UT	J3.5UT
Standard seat belt	STD	STD	STD	STD	STD	STD
Seat belt with sequential interlock	OPT	OPT	OPT	OPT	OPT	OPT
Operator presence system *	STD	STD	STD	STD	STD	STD
Front & top cab panels	OPT	OPT	OPT	OPT	OPT	OPT
Front, top & rear cab panels	OPT	OPT	OPT	OPT	OPT	OPT
Front glass screen with wiper	OPT	OPT	OPT	OPT	OPT	OPT
Rear screen with wiper	OPT	OPT	OPT	OPT	OPT	OPT
Rain cover for overhead guard	OPT	OPT	OPT	OPT	OPT	OPT
Dual mirrors side view	STD	STD	STD	STD	STD	STD
Rear drive handle with horn button	OPT	OPT	OPT	OPT	OPT	OPT
Heater and demister	OPT	OPT	OPT	OPT	OPT	OPT
Directional control lever - mounted on left side of steering column	STD	STD	STD	STD	STD	STD
USB port	STD	STD	STD	STD	STD	STD
Auxiliary DC/DC converter	OPT	OPT	OPT	OPT	OPT	OPT
12V outlet - automotive style socket on dash	STD	STD	STD	STD	STD	STD
VISIBILITY	J1.5UT	J1.8UT	J2.0UT	J2.5UT	J3.0UT	J3.5UT
Two front LED work lights with stop, tail, indicator, and reverse lights	STD	STD	STD	STD	STD	STD
Two front / one rear LED work light package with brake / tail / back-up lights with turn signals	OPT	OPT	OPT	OPT	OPT	OPT
OPERATION	J1.5UT	J1.8UT	J2.0UT	J2.5UT	J3.0UT	J3.5UT
Amber strobe light - ignition and switch activated	STD	STD	STD	STD	STD	STD
Audible reverse alarm	STD	STD	STD	STD	STD	STD
Pedestrian awareness light (P.A.L.)	OPT	OPT	OPT	OPT	OPT	OPT
Parking alarm *	STD	STD	STD	STD	STD	STD
Key switch start	STD	STD	STD	STD	STD	STD
BATERIES	J1.5UT	J1.8UT	J2.0UT	J2.5UT	J3.0UT	J3.5UT
48 Volt	STD	STD	STD	STD	-	-
80 Volt	-	-	-	-	STD	STD
Lead acid battery power truck configured to operate on lead acid battery power	STD	STD	STD	STD	STD	STD
Battery compartment - 985mm	STD	STD	-	-	-	-
Battery compartment - 1028mm	-	-	STD	STD	STD	STD
Vertical battery extraction	STD	STD	STD	STD	STD	STD
APPEARANCE	J1.5UT	J1.8UT	J2.0UT	J2.5UT	J3.0UT	J3.5UT
Hyster yellow paint base truck	STD	STD	STD	STD	STD	STD
Special paint base truck	OPT	OPT	OPT	OPT	OPT	OPT
SUPPLEMENTAL	J1.5UT	J1.8UT	J2.0UT	J2.5UT	J3.0UT	J3.5UT
Literature pack *	OPT	OPT	OPT	OPT	OPT	OPT
CE certification	OPT	OPT	OPT	OPT	OPT	OPT
12 months / 2,000 hours manufacturer's warranty (parts & labour)	STD	STD	STD	STD	STD	STD

**Standard or Optional in select markets or on select models.
Please refer to the Price List for full option configurations.*

STRONG PARTNERS. TOUGH TRUCKS.™

FOR DEMANDING OPERATIONS, EVERYWHERE.

Hyster® supplies a complete range of warehouse equipment, IC and electric counterbalanced trucks, container handlers and reach stackers. Hyster® is committed to being much more than a lift truck supplier.

Our aim is to offer a complete partnership capable of responding to the full spectrum of material handling issues: whether you need professional consultancy on your fleet management, fully qualified service support, or reliable parts supply, you can depend on Hyster®.

Our network of highly trained dealers provides expert, responsive local support. They can offer cost-effective finance packages and introduce effectively managed maintenance programmes to ensure that you get the best possible value. Our business is dealing with your material handling needs so you can focus on the success of your business today and in the future.



HYSTER EUROPE

Centennial House, Frimley Business Park, Frimley, Surrey, GU16 7SG, England.

Tel: +44 (0) 1276 538500



www.hyster.eu



infoeurope@hyster.com



[/HysterEurope](https://www.facebook.com/HysterEurope)



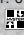
[@HysterEurope](https://twitter.com/HysterEurope)



[/HysterEurope](https://www.youtube.com/HysterEurope)



HYSTER-YALE UK LIMITED trading as Hyster Europe. Registered Address: Centennial House, Building 4.5, Frimley Business Park, Frimley, Surrey GU16 7SG, United Kingdom. Registered in England and Wales. Company Registration Number: 02636775.

©2020 HYSTER-YALE UK LIMITED, all rights reserved. HYSTER,  and STRONG PARTNERS. TOUGH TRUCKS. are trademarks of HYSTER-YALE Group, Inc. Hyster products are subject to change without notice. Forklift trucks illustrated may feature optional equipment.