

H2.0-3.5A SERIES

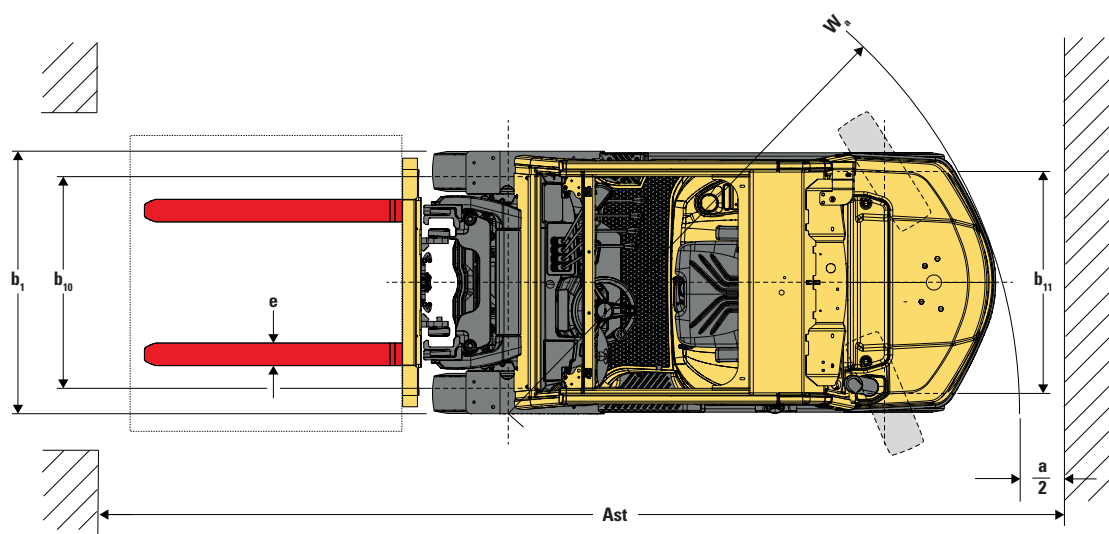
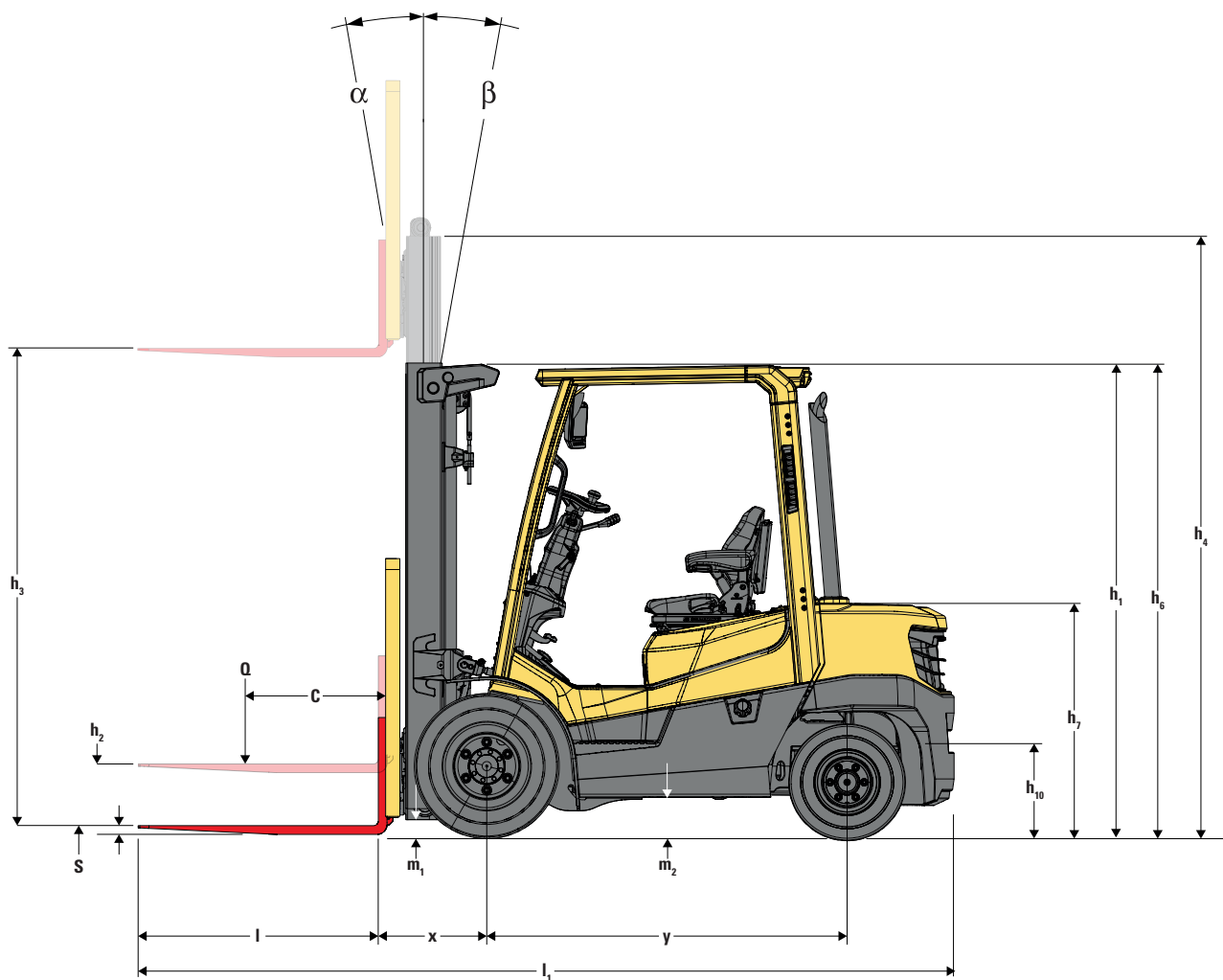


DIESEL AND LPG FORKLIFT TRUCKS
PRODUCT TECHNICAL GUIDE



WWW.HYSTER.COM

TRUCK DIMENSIONS



H2.0 - 3.5A DIESEL SPECIFICATIONS

GENERAL	1.1		Hyster	Hyster	Hyster	Hyster	Hyster		
	1.2		H2.0A	H2.5A	H2.5A6	H3.0A	H3.5A		
	Manufacturer's type designation								
	Engine		Yanmar 3.0L	Yanmar 3.0L	Yanmar 3.3L	Yanmar 3.3L	Yanmar 3.3L		
	Transmission		Electronic Powershift	Electronic Powershift	Electronic Powershift	Electronic Powershift	Electronic Powershift		
	Brake Type		Drum Brakes	Drum Brakes	Drum Brakes	Drum Brakes	Drum Brakes		
	1.3 Drive: electric (battery or mains), diesel, petrol, LPG		Diesel	Diesel	Diesel	Diesel	Diesel		
	1.4 Operator type: hand, pedestrian, standing, seated, order-picker		Seated Rider	Seated Rider	Seated Rider	Seated Rider	Seated Rider		
	1.5	Rated capacity/rated load	Q t	2.0	2.5	2.5	3.0	3.5	
	1.6	Load centre distance	c mm	500	500	600	500	500	
	1.8	Load distance, centre of drive axle to fork	x mm	470	470	495	495	495	
	1.9	Wheelbase	y mm	1650	1650	1700	1700	1700	
WEIGHTS	2.1	Service weight	kg	3613	3990	4292	4642	4910	
	2.2	Axle loading laden, front/rear	kg	4981 / 632	5698 / 792	5900 / 921	6635 / 1007	7230 / 1180	
	2.3	Axle loading unladen, front/rear	kg	1805 / 1808	1728 / 2262	1778 / 2514	1880 / 2762	1683 / 3227	
WHEELS	3.1	Tyres: L=pneumatic,V=solid, SE=Super Elastic		SE	SE	SE	SE	SE	
	3.2	Tyre size, front		7.00 X 12	7.00 X 12	28 X 9 - 15	28 X 9 - 15	28 X 9 - 15	
	3.3	Tyre size, rear		6.00 X 9	6.00 X 9	6.5 X 10	6.5 X 10	6.5 X 10	
	3.5	Number of wheels, front/rear (X = driven)		2x / 2	2x / 2	2x / 2	2x / 2	2x / 2	
	3.6	Tread, front	b10 mm	983	983	959	959	959	
	3.7	Tread, rear	b11 mm	958	958	959	958	958	
	4.1	Tilt of mast / fork carriage forward / backward	α / β (°)	6 / 6	6 / 6	6 / 6	6 / 6	6 / 6	
DIMENSIONS	4.2	Height, mast lowered	h1 mm	2570	2570	2592	2692	2692	
	4.3	Free lift (1)	h2 mm	50	50	50	50	50	
	4.4	Lift (1)	h3 mm	3900	3900	3900	3880	3880	
	4.5	Height, mast extended (2)	h4 mm	4500	4500	4500	4552	4552	
	4.7	Height of overhead guard m	h6 mm	2160	2160	2182	2182	2182	
	4.8	Seat height relating to SIP/stand height (3)	h7 mm	1153	1153	1175	1175	1175	
	4.12	Coupling height	h10 mm	440	440	452	462	462	
	4.19	Overall length	l1 mm	3534	3610	3714	3746	3813	
	4.20	Length to face of forks	l2 mm	2516	2579	2676	2731	2781	
	4.21	Overall width (single / wide / dual)	b1 mm	1160 / 1280 / 1542	1160 / 1280 / 1542	1186 / 1353 / 1545	1186 / 1353 / 1545	1186 / 1353 / 1545	
	4.22	Fork dimensions DIN ISO 2331	s/e/l mm	40 X 100 X 1000	40 X 100 X 1000	50 X 120 X 1000	50 X 120 X 1000	50 X 120 X 1000	
	4.23	Fork carriage ISO 2328, class/type A, B		II A	II A	II A	III A	III A	
	4.24	Fork carriage width (4)	b3 mm	1070	1070	1070	1070	1070	
	4.31	Ground clearance, laden, below mast	m1 mm	130	130	152	152	152	
	4.32	Ground clearance, centre of wheelbase	m2 mm	160	160	182	182	182	
	4.34.1	Aisle width for pallets 1000 x 1200 crossways	Ast mm	3861	3933	4027	4069	4144	
	4.34.2	Aisle width for pallets 800 x 1200 lengthways	Ast mm	4061	4133	4227	4269	4344	
	4.35	Turning radius	Wa mm	2191	2263	2333	2374	2449	
	4.36	Internal turning radius	b13 mm	640	640	660	660	660	
	4.41	90° intersecting aisle (with pallet W = 1200mm, L = 1000mm)		2018	2057	2089	2110	2149	
4.42	Step height (from ground to running board)	mm	440	440	462	462	462		
4.43	Step height (between intermediate steps between running board and floor)	mm	250	250	250	250	250		
PERFORMANCE	5.1	Travel speed, laden/unladen	km/h	17.5 / 17.8	17.3 / 17.8	18.5 / 18.7	18.4 / 18.6	18.4 / 18.6	
	5.1.1	Travel speed, laden/unladen, backwards	km/h	17.7 / 18.1	17.6 / 18.1	18.8 / 19.0	18.7 / 18.9	18.7 / 18.9	
	5.2	Lift speed, laden/unladen (5)	m/s	0.6/0.65	0.59 /0.65	0.58/0.65	0.51 /0.57	0.50 /0.57	
	5.3	Lowering speed, laden/unladen	m/s	0.58/0.49	0.58/0.49	0.58/0.49	0.58/0.53	0.58/0.53	
	5.5	Drawbar pull, laden (6)	N	15233	15074	20021	19867	19728	
	5.7	Gradeability, laden/unladen (7)	%	29 / 30	24 / 26	31 / 25	27 / 24	25 / 20	
	5.9	Acceleration time, laden/unladen (to 15m)	s	5.05 /4.48	5.27 /4.88	5.11 /4.52	5.24 /4.53	5.42 /4.59	
	5.10	Service brake		Hydraulic	Hydraulic	Hydraulic	Hydraulic	Hydraulic	
	COMBUSTION ENGINE	7.1	Engine manufacturer / type		Yanmar 4TNE94L	Yanmar 4TNE94L	Yanmar 4TNE98	Yanmar 4TNE98	Yanmar 4TNE98
		7.2	Engine power according to ISO 1585	Kw	34.1	34.1	42.4 Kw	42.4 Kw	42.4 Kw
7.3		Rated speed	min-1	2200	2200	2300	2300	2300	
7.3.1		Torque at 1/min	(N-m/min)	162 / 1500	162 / 1500	200 / 1700	190 / 1700	190 / 1700	
7.4		Number of cylinders/displacement	(-) / (cm ³)	4 / 3053	4 / 3053	4 / 3319	4 / 3319	4 / 3319	
7.5		Fuel consumption according to VDI 2198 (CDP/VDP)	ℓ/h or kg/h	3.15 / 2.72	3.52 / 3.14	3.79 / 3.41	4.26 / 3.84	4.80 / 4.34	
7.5c		Fuel consumption according to VDI EN16796 (CDP/VDP)	ℓ/h or kg/h	2.81 / 2.42	3.14 / 2.8	3.37 / 3.04	3.79 / 3.42	4.03 / 3.87	
7.6		Turnover output (Power / ECO)	(1/h)	N/A	NA	NA	NA	NA	
ADDITIONAL DATA	8.1	Type of drive unit		Automatic	Automatic	Automatic	Automatic	Automatic	
	10.1	Operating pressure for attachments	bar	180	180	180	180	180	
	10.2	Oil volume for attachments (8)	l/min	60	60	60	60	60	
	10.3	Hydraulic oil tank, capacity	l	40.6	40.6	40.6	40.6	40.6	
	10.4	Fuel tank, capacity	l	39.9	NA	39.9	39.9	39.9	
	10.7	Sound pressure level at the driver's seat (9)	dB (A)	82	82	82	82	82	
	10.7.2	Guaranteed sound power 2001/14/EC	dB (A)	N/A	NA	NA	NA	NA	
	10.8	Towing coupling type		Pin	Pin	Pin	Pin	Pin	

(1) Top of forks. (2) Without load backrest. (3) Full suspension seat to manufacturers SIP. (5) Constant displacement hydraulic pump (CDP). (4) Add 32mm with load backrest. (6) At 1.6km/h. (7) At 4.8km/h. (8) Variable. (9) LPAZ, measured according to the test cycles and based on the weighting values contained in EN12053. Spec sheet truck based on:- 3290mm(H 2.0-2.5 A) / 3105mm(H 3.0-3.5 A) TOF 2 stage LFL Mast with standard carriage, 1000 mm forks with manual levers.

CERTIFICATION: Hyster lift trucks meet the design and construction requirements of B56.1-1969, per OSHA Section 1910.178(a)(2), and also comply with the B56.1 revision in effect at time of manufacture. Certification of compliance with the applicable ANSI standards appears on the lift truck. Performance specifications are for a truck equipped as described under Standard Equipment on this technical guide. Performance specifications are affected by the condition of the vehicle and how it is equipped, as well as by the nature, condition of the operating area, proper service and maintenance of the vehicle. If these specifications are critical, the proposed application should be discussed with your dealer.

H2.0 - 3.5A LPG SPECIFICATIONS

GENERAL	1.1	Manufacturer			HYSTER	HYSTER	HYSTER	HYSTER	HYSTER	
	1.2	Manufacturer's type designation			H2.0A	H2.5A	H2.5A6	H3.0A	H3.5A	
GENERAL		Engine			Yanmar 2.2L	Yanmar 2.2L	Yanmar 2.2L	Yanmar 2.2L	Yanmar 2.2L	
		Transmission			Electronic Powershift 1-Speed	Electronic Powershift 1-Speed	Electronic Powershift 1-Speed	Electronic Powershift 1-Speed	Electronic Powershift 1-Speed	
		Brake Type			Drum Brakes	Drum Brakes	Drum Brakes	Drum Brakes	Drum Brakes	
	1.3	Drive: electric (battery or mains), diesel, petrol, LPG			LPG	LPG	LPG	LPG	LPG	
1.4	Operator type: hand, pedestrian, standing, seated, order-picker			Seated Rider	Seated Rider	Seated Rider	Seated Rider	Seated Rider		
1.5	Rated capacity/rated load	Q	t	2.0	2.5	2.5	3.0	3.5		
1.6	Load centre distance	c	mm	500	500	600	500	500		
1.8	Load distance, centre of drive axle to fork	x	mm	470	470	495	495	495		
1.9	Wheelbase	y	mm	1650	1650	1700	1700	1700		
WEIGHTS	2.1	Service weight			3613	3990	4292	4642	4910	
	2.2	Axle loading laden, front/rear			4981 / 632	5698 / 792	5900 / 921	6635 / 1007	7230 / 1180	
	2.3	Axle loading unladen, front/rear			1805 / 1808	1728 / 2262	1778 / 2514	1880 / 2762	1683 / 3227	
WHEELS	3.1	Tyres: L=pneumatic,V=solid, SE=Super Elastic			SE	SE	SE	SE	SE	
	3.2	Tyre size, front			7.00 X 12	7.00 X 12	28 X 9 - 15	28 X 9 - 15	28 X 9 - 15	
	3.3	Tyre size, rear			6.00 X 9	6.00 X 9	6.5 X 10	6.5 X 10	6.5 X 10	
	3.5	Number of wheels, front/rear (X = driven)			2x / 2	2x / 2	2x / 2	2x / 2	2x / 2	
	3.6	Tread, front	b10	mm	983	983	959	959	959	
	3.7	Tread, rear	b11	mm	958	958	958	958	958	
	4.1	Tilt of mast / fork carriage forward / backward	α / β	($^{\circ}$)	6/6	6/6	6/6	6/6	6/6	
DIMENSIONS	4.2	Height, mast lowered	h1	mm	2570	2570	2592	2692	2692	
	4.3	Free lift (1)	h2	mm	50	50	50	50	50	
	4.4	Lift (1)	h3	mm	3900	3900	3900	3880	3880	
	4.5	Height, mast extended (2)	h4	mm	4500	4500	4500	4552	4552	
	4.7	Height of overhead guard m	h6	mm	2160	2160	2182	2182	2182	
	4.8	Seat height relating to SIP/stand height (3)	h7	mm	1153	1153	1175	1175	1175	
	4.12	Coupling height	h10	mm	440	440	452	462	462	
	4.19	Overall length	l1	mm	3534	3610	3714	3746	3813	
	4.20	Length to face of forks	l2	mm	2516	2579	2676	2731	2781	
	4.21	Overall width (single / wide / dual)	b1	mm	1160 / 1280 / 1542	1160 / 1280 / 1542	1186 / 1353 / 1545	1186 / 1353 / 1545	1186 / 1353 / 1545	
	4.22	Fork dimensions DIN ISO 2331	s/e/l	mm	40 X 100 X 1000	40 X 100 X 1000	50 X 120 X 1000	50 X 120 X 1000	50 X 120 X 1000	
	4.23	Fork carriage ISO 2328, class/type A, B			II A	II A	II A	III A	III A	
	4.24	Fork carriage width (4)	b3	mm	1070	1070	1070	1070	1070	
	4.31	Ground clearance, laden, below mast	m1	mm	130	130	152	152	152	
	4.32	Ground clearance, centre of wheelbase	m2	mm	160	160	182	182	182	
	4.34.1	Aisle width for pallets 1000 x 1200 crossways	Ast	mm	3861	3933	4027	4069	4144	
	4.34.2	Aisle width for pallets 800 x 1200 lengthways	Ast	mm	4061	4133	4227	4269	4344	
	4.35	Turning radius	Wa	mm	2191	2263	2333	2374	2449	
	4.36	Internal turning radius	b13	mm	640	640	660	660	660	
	4.41	90° intersecting aisle (with pallet W = 1200mm, L = 1000mm)			2018	2057	2089	2110	2149	
4.42	Step height (from ground to running board)		mm	440	440	462	462	462		
4.43	Step height (between intermediate steps between running board and floor)		mm	250	250	250	250	250		
PERFORMANCE	5.1	Travel speed, laden/unladen			18.5 / 18.7	18.4 / 18.7	18.5 / 18.7	18.4 / 18.6	18.4 / 18.6	
	5.1.1	Travel speed, laden/unladen, backwards			18.8 / 19.0	18.7 / 19.0	18.8 / 19.0	18.7 / 18.9	18.7 / 18.9	
	5.2	Lift speed, laden/unladen (5)		m/s	0.61 / 0.65	0.60 / 0.65	0.60 / 0.65	0.56 / 0.61	0.56 / 0.61	
	5.3	Lowering speed, laden/unladen		m/s	0.58 / 0.50	0.58 / 0.50	0.58 / 0.5	0.58 / 0.53	0.58 / 0.50	
	5.5	Drawbar pull, laden (6)		N	17304	17145	16920	16766	16626	
	5.7	Gradeability, laden/unladen (7)		%	33 / 30	28 / 26	26 / 25	23 / 24	21 / 20	
	5.9	Acceleration time, laden/unladen (to 15m)		s	5.4 / 4.3	5.9 / 4.5	5.1 / 4.5	5.2 / 4.5	5.3 / 4.6	
	5.10	Service brake			Hydraulic	Hydraulic	Hydraulic	Hydraulic	Hydraulic	
	COMBUSTION ENGINE	7.1	Engine manufacturer / type			Yanmar / 4TN88G	Yanmar / 4TN88G	Yanmar / 4TN88G	Yanmar / 4TN88G	Yanmar / 4TN88G
		7.2	Engine power according to ISO 1585		Kw	42	42	42	42	42
7.3		Rated speed		min-1	2500	2500	2500	2500	2500	
7.3.1		Torque at 1/min		(N-m/min)	174 / 1690	174 / 1690	174 / 1690	174 / 1690	174 / 1690	
7.4		Number of cylinders/displacement		(-) / (cm ³)	4 / 2190	4 / 2190	4 / 2190	4 / 2190	4 / 2190	
7.5		Fuel consumption according to VDI 2198 (CDP/VDP)		ℓ/h or kg/h	2.4 / 2.2	2.7 / 2.5	2.8 / 2.6	3.2 / 2.9	3.5 / 3.2	
7.5c		Fuel consumption according to VDI EN16796 (CDP/VDP)		ℓ/h or kg/h	2.1 / 2.0	2.4 / 2.2	2.5 / 2.3	2.8 / 2.6	3.1 / 2.8	
7.6		Turnover output (Power / ECO)		(1/h)	96 / 85	96 / 85	96 / 85	95 / 84	95 / 84	
ADDITIONAL DATA	8.1	Type of drive unit			Automatic	Automatic	Automatic	Automatic	Automatic	
	10.1	Operating pressure for attachments		bar	180	180	180	180	180	
	10.2	Oil volume for attachments (8)		l/min	60	60	60	60	60	
	10.3	Hydraulic oil tank, capacity		l	40.6	40.6	40.6	40.6	40.6	
	10.4	Fuel tank, capacity		l	-	-	-	-	-	
	10.7	Sound pressure level at the driver's seat (9)		dB (A)	77	77	77	77	77	
	10.7.2	Guaranteed sound power 2001/14/EC		dB (A)	101	101	101	101	101	
	10.8	Towing coupling type			Pin	Pin	Pin	Pin	Pin	

(1) Top of forks. (2) Without load backrest. (3) Full suspension seat to manufacturers SIP. (5) Constant displacement hydraulic pump (CDP). (4) Add 32mm with load backrest. (6) At 1.6km/h. (7) At 4.8km/h. (8) Variable. (9) LPAZ, measured according to the test cycles and based on the weighting values contained in EN12053. Spec sheet truck based on:- 3290mm(H 2.0-2.5 A) / 3105mm(H 3.0-3.5 A) TOF 2 stage LFL Mast with standard carriage, 1000 mm forks with manual levers.

CERTIFICATION: Hyster lift trucks meet the design and construction requirements of B56.1-1969, per OSHA Section 1910.178(a)(2), and also comply with the B56.1 revision in effect at time of manufacture. Certification of compliance with the applicable ANSI standards appears on the lift truck. Performance specifications are for a truck equipped as described under Standard Equipment on this technical guide. Performance specifications are affected by the condition of the vehicle and how it is equipped, as well as by the nature, condition of the operating area, proper service and maintenance of the vehicle. If these specifications are critical, the proposed application should be discussed with your dealer.

MAST AND CAPACITY INFORMATION

H2.0A RATED CAPACITY @ 500MM LOAD CENTRE										
MAST	Maximum Fork Height (TOF) (mm)	Lowered height (mm)	Extended Height without LBR (mm)	Extended Height with LBR (mm)	Free Lift Height with LBR (mm)	Back Tilt (deg.)	Capacities (kg) @ 500mm Load Centre			
							Pneumatic Shaped Solid Tyres		Pneumatic Radial Tyres	
							Without sideshift (kg)	With sideshift + Fork Positioner (kg)	Without sideshift (kg)	With sideshift + Fork Positioner (kg)
							H2.0A	H2.0A	H2.0A	H2.0A
2 STAGE LFL	2960	2020	3570	4180	50	6	2000	2000	2000	2000
	3260	2170	3870	4480	50	6	2000	2000	2000	2000
	3560	2320	4170	4780	50	6	2000	2000	2000	2000
	3900	2570	4510	5120	50	6	2000	2000	2000	2000
	4200	2720	4810	5420	50	6	2000	2000	2000	2000
	4500	2870	5110	5720	50	6	1980	1980	1980	1980
	4800	3020	5410	6020	50	6	1920	1910	1920	1910
	5000	3220	5610	6220	50	6	1880	1860	1880	1860
	5500	3470	6110	6720	50	6	1770	1750	1650	1640
	2 STAGE FFL	2990	2020	3597	4210	1373	6	2000	2000	2000
3340		2170	3947	4560	1523	6	2000	2000	2000	2000
3440		2220	4047	4660	1573	6	2000	2000	2000	2000
3540		2270	4147	4760	1623	6	2000	2000	2000	2000
3740		2370	4347	4960	1723	6	2000	2000	2000	2000
4060		2570	4667	5280	1923	6	2000	1970	2000	1970
4560		2820	5167	5780	2173	6	1960	1960	1960	1960
4960		3020	5567	6180	2373	6	1880	1870	1880	1870
5560		3370	6167	6780	2723	6	1750	1730	1660	1650
3 STAGE FFL		4100	2020	4699	5320	1381	6	2000	1970	2000
	4400	2020	4999	5620	1381	6	2000	1970	2000	1970
	4650	2070	5249	5870	1431	6	1950	1920	1860	1840
	4950	2170	5549	6170	1531	6	1890	1860	1680	1670
	5250	2320	5849	6470	1681	6	1830	1810	1540	1520
	6150	2670	6749	7370	2031	6	1550	1540	1120	1100
	6450	2820	7049	7670	2181	6	1400	1380	1010	980
	6900	3020	7499	8120	2381	6	1210	1190	840	810

H2.0A RATED CAPACITY @ 600MM LOAD CENTRE										
MAST	Maximum Fork Height (TOF) (mm)	Lowered height (mm)	Extended Height without LBR (mm)	Extended Height with LBR (mm)	Free Lift Height with LBR (mm)	Back Tilt (deg.)	Capacities (kg) @ 600mm Load Centre			
							Pneumatic Shaped Solid Tyres		Pneumatic Radial Tyres	
							Without sideshift (kg)	With sideshift + Fork Positioner (kg)	Without sideshift (kg)	With sideshift + Fork Positioner (kg)
							H2.0A	H2.0A	H2.0A	H2.0A
2 STAGE LFL	2960	2020	3570	4180	50	6	1910	1850	1910	1850
	3260	2170	3870	4480	50	6	1900	1840	1900	1840
	3560	2320	4170	4780	50	6	1900	1840	1900	1840
	3900	2570	4510	5120	50	6	1890	1830	1890	1830
	4200	2720	4810	5420	50	6	1880	1820	1880	1820
	4500	2870	5110	5720	50	6	1860	1800	1860	1800
	4800	3020	5410	6020	50	6	1800	1740	1800	1740
	5000	3220	5610	6220	50	6	1750	1690	1750	1690
	5500	3470	6110	6720	50	6	1640	1590	1640	1580
	2 STAGE FFL	2990	2020	3597	4210	1373	6	1910	1850	1910
3340		2170	3947	4560	1523	6	1900	1840	1900	1840
3440		2220	4047	4660	1573	6	1900	1840	1900	1840
3540		2270	4147	4760	1623	6	1900	1840	1900	1840
3740		2370	4347	4960	1723	6	1890	1830	1890	1830
4060		2570	4667	5280	1923	6	1890	1820	1890	1820
4560		2820	5167	5780	2173	6	1840	1780	1840	1780
4960		3020	5567	6180	2373	6	1760	1700	1760	1700
5560		3370	6167	6780	2723	6	1620	1570	1620	1560
3 STAGE FFL		4100	2020	4699	5320	1381	6	1850	1790	1850
	4400	2020	4999	5620	1381	6	1850	1790	1850	1790
	4650	2070	5249	5870	1431	6	1810	1750	1810	1750
	4950	2170	5549	6170	1531	6	1750	1690	1680	1670
	5250	2320	5849	6470	1681	6	1700	1640	1540	1520
	6150	2670	6749	7370	2031	6	1480	1430	1120	1100
	6450	2820	7049	7670	2181	6	1400	1360	1010	980
	6900	3020	7499	8120	2381	6	1210	1190	840	810

MAST AND CAPACITY INFORMATION

H2.5A RATED CAPACITY @ 500MM LOAD CENTRE										
MAST	Maximum Fork Height (TOF) (mm)	Lowered height (mm)	Extended Height without LBR (mm)	Extended Height with LBR (mm)	Free Lift Height with LBR (mm)	Back Tilt (deg.)	Capacities (kg) @ 500mm Load Centre			
							Pneumatic Shaped Solid Tyres		Pneumatic Radial Tyres	
							Without sideshift (kg)	With sideshift + Fork Positioner (kg)	Without sideshift (kg)	With sideshift + Fork Positioner (kg)
							H2.5A	H2.5A	H2.5A	H2.5A
2 STAGE LFL	2960	2020	3570	4180	50	6	2500	2500	2500	2500
	3260	2170	3870	4480	50	6	2500	2500	2500	2500
	3560	2320	4170	4780	50	6	2500	2450	2500	2450
	3900	2570	4510	5120	50	6	2500	2440	2500	2440
	4200	2720	4810	5420	50	6	2500	2430	2500	2430
	4500	2870	5110	5720	50	6	2470	2410	2470	2410
	4800	3020	5410	6020	50	6	2410	2340	2230	2230
	5000	3220	5610	6220	50	6	2360	2280	2050	2050
2 STAGE FFL	5500	3470	6110	6720	50	6	2240	2160	1650	1640
	2990	2020	3597	4210	1373	6	2500	2460	2500	2460
	3340	2170	3947	4560	1523	6	2500	2460	2500	2460
	3440	2220	4047	4660	1573	6	2500	2450	2500	2450
	3540	2270	4147	4760	1623	6	2500	2450	2500	2450
	3740	2370	4347	4960	1723	6	2500	2450	2500	2450
	4060	2570	4667	5280	1923	6	2500	2440	2500	2440
	4560	2820	5167	5780	2173	6	2460	2390	2450	2380
3 STAGE FFL	4960	3020	5567	6180	2373	6	2370	2290	2140	2130
	5560	3370	6167	6780	2723	6	2220	2140	1660	1650
	4000	2020	4599	5220	1381	6	2500	2500	2500	2500
	4100	2020	4699	5320	1381	6	2500	2430	2420	2410
	4300	2020	4899	5520	1381	6	2500	2430	2290	2275
	4650	2070	5249	5870	1431	6	2440	2380	1950	1950
	4950	2170	5549	6170	1531	6	2380	2310	1740	1720
	5100	2270	5699	6320	1631	6	2295	2260	1645	1625
	5550	2420	6149	6770	1781	6	2050	2050	1400	1400
	5700	2520	6299	6920	1881	6	1815	1815	1225	1220
	6150	2670	6749	7370	2031	6	1580	1580	1050	1040
	6450	2820	7049	7670	2181	6	1410	1390	920	890
6900	3020	7499	8120	2381	6	1170	1140	740	700	

H2.5A RATED CAPACITY @ 600MM LOAD CENTRE										
MAST	Maximum Fork Height (TOF) (mm)	Lowered height (mm)	Extended Height without LBR (mm)	Extended Height with LBR (mm)	Free Lift Height with LBR (mm)	Back Tilt (deg.)	Capacities (kg) @ 600mm Load Centre			
							Pneumatic Shaped Solid Tyres		Pneumatic Radial Tyres	
							Without sideshift (kg)	With sideshift + Fork Positioner (kg)	Without sideshift (kg)	With sideshift + Fork Positioner (kg)
							H2.5A	H2.5A	H2.5A	H2.5A
2 STAGE LFL	2960	2020	3570	4180	50	6	2310	2240	2310	2240
	3260	2170	3870	4480	50	6	2360	2290	2360	2290
	3560	2320	4170	4780	50	6	2300	2230	2300	2230
	3900	2570	4510	5120	50	6	2290	2220	2290	2220
	4200	2720	4810	5420	50	6	2280	2210	2280	2210
	4500	2870	5110	5720	50	6	2260	2190	2260	2190
	4800	3020	5410	6020	50	6	2190	2120	2190	2120
	5000	3220	5610	6220	50	6	2140	2070	2050	2050
2 STAGE FFL	5500	3470	6110	6720	50	6	2030	1960	1650	1640
	2990	2020	3597	4210	1373	6	2310	2240	2310	2240
	3340	2170	3947	4560	1523	6	2300	2230	2300	2230
	3440	2220	4047	4660	1573	6	2300	2230	2300	2230
	3540	2270	4147	4760	1623	6	2300	2230	2300	2230
	3740	2370	4347	4960	1723	6	2290	2220	2290	2220
	4060	2570	4667	5280	1923	6	2290	2210	2290	2210
	4560	2820	5167	5780	2173	6	2240	2170	2240	2170
3 STAGE FFL	4960	3020	5567	6180	2373	6	2150	2080	2140	2080
	5560	3370	6167	6780	2723	6	2010	1940	1660	1650
	4000	2020	4599	5220	1381	6	2280	2210	2280	2210
	4100	2020	4699	5320	1381	6	2280	2210	2280	2210
	4300	2020	4899	5520	1381	6	2280	2210	2215	2175
	4650	2070	5249	5870	1431	6	2230	2160	1950	1940
	4950	2170	5549	6170	1531	6	2170	2100	1740	1720
	5100	2270	5699	6320	1631	6	2130	2065	1645	1625
	5550	2420	6149	6770	1781	6	1950	1950	1400	1380
	5700	2520	6299	6920	1881	6	1765	1765	1225	1210
	6150	2670	6749	7370	2031	6	1580	1580	1050	1040
	6450	2820	7049	7670	2181	6	1410	1390	920	890
6900	3020	7499	8120	2381	6	1170	1140	740	700	

H2.5A6 RATED CAPACITY @ 500MM LOAD CENTRE										
MAST	Maximum Fork Height (TOF) (mm)	Lowered height (mm)	Extended Height without LBR (mm)	Extended Height with LBR (mm)	Free Lift Height with LBR (mm)	Back Tilt (deg.)	Capacities (kg) @ 500mm Load Centre			
							Pneumatic Shaped Solid Tyres		Pneumatic Radial Tyres	
							Without sideshift (kg)	With sideshift + Fork Positioner (kg)	Without sideshift (kg)	With sideshift + Fork Positioner (kg)
							H2.5A6	H2.5A6	H2.5A6	H2.5A6
2 STAGE LFL	2960	2042	3570	4180	50	6	2700	2700	2700	2700
	3260	2192	3870	4480	50	6	2700	2700	2700	2700
	3560	2342	4170	4780	50	6	2700	2700	2700	2700
	3900	2592	4510	5120	50	6	2700	2690	2700	2690
	4200	2742	4810	5420	50	6	2700	2680	2700	2680
	4500	2892	5110	5720	50	6	2680	2660	2670	2660
	4800	3042	5410	6020	50	6	2610	2590	2560	2560
	5000	3242	5610	6220	50	6	2570	2540	2360	2350
2 STAGE FFL	5500	3492	6110	6720	50	6	2450	2410	1900	1880
	2990	2042	3597	4210	1395	6	2700	2700	2700	2700
	3340	2192	3497	4560	1545	6	2700	2700	2700	2700
	3440	2242	4047	4660	1595	6	2700	2700	2700	2700
	3540	2292	4147	4760	1645	6	2700	2700	2700	2700
	3740	2392	4347	4960	1745	6	2700	2700	2700	2700
	4060	2592	4667	5280	1945	6	2700	2690	2690	2690
	4560	2842	5167	5780	2195	6	2660	2640	2640	2640
3 STAGE FFL	4960	3042	5567	6180	2395	6	2570	2450	2450	2550
	5560	3392	6167	6780	2745	6	2430	2390	2390	1890
	4000	2042	4599	5220	1403	6	2700	2680	2700	2700
	4100	2042	4699	5320	1403	6	2700	2680	2700	2680
	4300	2042	4899	5520	1403	6	2700	2680	2575	2560
	4650	2092	5249	5870	1453	6	2640	2360	2220	2220
	4950	2192	5549	6170	1553	6	2500	2510	1980	1970
	5100	2292	5699	6320	1653	6	2370	2375	1865	1855
	5550	2442	6149	6770	1803	6	2070	2070	1530	1600
	5700	2542	6299	6920	1903	6	1860	1550	1355	1375
	6150	2692	6749	7370	2053	6	1650	1550	1180	1150
	6450	2842	7049	7670	2203	6	1560	1325	1180	1150
6900	3042	7499	8120	2403	6	1120	1100	830	790	

H2.5A6 RATED CAPACITY @ 600MM LOAD CENTRE										
MAST	Maximum Fork Height (TOF) (mm)	Lowered height (mm)	Extended Height without LBR (mm)	Extended Height with LBR (mm)	Free Lift Height with LBR (mm)	Back Tilt (deg.)	Capacities (kg) @ 600mm Load Centre			
							Pneumatic Shaped Solid Tyres		Pneumatic Radial Tyres	
							Without sideshift (kg)	With sideshift + Fork Positioner (kg)	Without sideshift (kg)	With sideshift + Fork Positioner (kg)
							H2.5A6	H2.5A6	H2.5A6	H2.5A6
2 STAGE LFL	2960	2042	3570	4180	50	6	2530	2470	2530	2470
	3260	2192	3870	4480	50	6	2530	2460	2530	2460
	3560	2342	4170	4780	50	6	2530	2460	2530	2460
	3900	2592	4510	5120	50	6	2520	2450	2520	2450
	4200	2742	4810	5420	50	6	2520	2440	2520	2440
	4500	2892	5110	5720	50	6	2490	2420	2490	2420
	4800	3042	5410	6020	50	6	2430	2350	2430	2350
	5000	3242	5610	6220	50	6	2380	2300	2360	2300
2 STAGE FFL	5500	3492	6110	6720	50	6	2260	2190	1900	1880
	2990	2042	3597	4210	1395	6	2530	2470	2530	2240
	3340	2192	3497	4560	1545	6	2530	2460	2530	2230
	3440	2242	4047	4660	1595	6	2530	2460	2530	2230
	3540	2292	4147	4760	1645	6	2530	2460	2530	2230
	3740	2392	4347	4960	1745	6	2530	2450	2530	2220
	4060	2592	4667	5280	1945	6	2520	2450	2520	2210
	4560	2842	5167	5780	2195	6	2470	2400	2470	2170
3 STAGE FFL	4960	3042	5567	6180	2395	6	2390	2310	2380	2080
	5560	3392	6167	6780	2745	6	2240	2170	1900	1650
	4000	2042	4599	5220	1403	6	2510	2440	2510	2440
	4100	2042	4699	5320	1403	6	2510	2440	2510	2440
	4300	2042	4899	5520	1403	6	2510	2440	2475	2440
	4650	2092	5249	5870	1453	6	2470	2390	2220	2220
	4950	2192	5549	6170	1553	6	2400	2320	1980	1970
	5100	2292	5699	6320	1653	6	2320	2280	1865	1855
	5550	2442	6149	6770	1803	6	2020	2020	1575	1560
	5700	2542	6299	6920	1903	6	1800	1800	1400	1380
	6150	2692	6749	7370	2053	6	1560	1550	1180	1150
	6450	2842	7049	7670	2203	6	1560	1550	1180	1150
6900	3042	7499	8120	2403	6	1120	1100	830	970	

MAST AND CAPACITY INFORMATION

H3.0A RATED CAPACITY @ 500MM LOAD CENTRE										
MAST	Maximum Fork Height (TOF) (mm)	Lowered height (mm)	Extended Height without LBR (mm)	Extended Height with LBR (mm)	Free Lift Height with LBR (mm)	Back Tilt (deg.)	Capacities (kg) @ 500mm Load Centre			
							Pneumatic Shaped Solid Tyres		Pneumatic Radial Tyres	
							Without sideshift (kg)	With sideshift + Fork Positioner (kg)	Without sideshift (kg)	With sideshift + Fork Positioner (kg)
							H3.0A	H3.0A	H3.0A	H3.0A
2 STAGE LFL	2980	2142	3662	4198	50	6	3000	2920	3000	2920
	3280	2292	3962	4498	50	6	3000	2920	3000	2920
	3380	2342	4062	4598	50	6	3000	2910	3000	2910
	3580	2442	4262	4798	50	6	3000	2910	3000	2910
	3880	2692	4562	5098	50	6	3000	2900	3000	2900
	4180	2842	4862	5398	50	6	3000	2890	3000	2890
	4480	2992	5162	5698	50	6	2930	2830	2920	2820
	4780	3242	5462	5998	50	6	2870	2750	2580	2580
	5480	3592	6162	6698	50	6	2660	2580	1860	1850
	5880	3892	6562	7098	50	6	2210	2220	1490	1480
2 STAGE FFL	3000	2092	3684	4224	1362	6	3000	2940	3000	2940
	3200	2192	3884	4424	1462	6	3000	2940	3000	2940
	3500	2342	4184	4724	1612	6	3000	2930	3000	2930
	3700	2442	4384	4924	1712	6	3000	2930	3000	2930
	4000	2642	4684	5224	1912	6	3000	2920	3000	2920
	4500	2892	5184	5724	2162	6	2930	2840	2930	2840
	5000	3192	5684	6224	2462	6	2820	2720	2480	2470
	5400	3392	6084	6624	2662	6	2720	2620	2080	2060
	4020	2042	4690	5238	1320	6	3000	2900	2930	2900
	4320	2092	4990	5538	1370	6	2970	2870	2590	2580
3 STAGE FFL	4620	2192	5290	5838	1470	6	2900	2800	2290	2280
	4920	2342	5590	6138	1620	6	2650	2660	2020	2010
	5520	2592	6190	6738	1870	6	2070	2070	1530	1510
	6120	2842	6790	7338	2120	6	1580	1570	1130	1100
	6570	3042	7240	7788	2320	6	1260	1240	880	850
	7020	3192	7690	8238	2470	6	990	960	670	630

H3.0A RATED CAPACITY @ 600MM LOAD CENTRE										
MAST	Maximum Fork Height (TOF) (mm)	Lowered height (mm)	Extended Height without LBR (mm)	Extended Height with LBR (mm)	Free Lift Height with LBR (mm)	Back Tilt (deg.)	Capacities (kg) @ 600mm Load Centre			
							Pneumatic Shaped Solid Tyres		Pneumatic Radial Tyres	
							Without sideshift (kg)	With sideshift + Fork Positioner (kg)	Without sideshift (kg)	With sideshift + Fork Positioner (kg)
							H3.0A	H3.0A	H3.0A	H3.0A
2 STAGE LFL	2980	2142	3662	4198	50	6	2770	2660	2770	2660
	3280	2292	3962	4498	50	6	2770	660	2770	2660
	3380	2342	4062	4598	50	6	2770	2650	2770	2660
	3580	2442	4262	4798	50	6	2760	2650	2760	2650
	3880	2692	4562	5098	50	6	2750	2640	2750	2640
	4180	2842	4862	5398	50	6	2740	2630	2740	2630
	4480	2992	5162	5698	50	6	2680	2570	2680	2570
	4780	3242	5462	5998	50	6	2610	2510	2580	2500
	5480	3592	6162	6698	50	6	2450	2350	1860	1850
	5880	3892	6562	7098	50	6	2210	2220	1490	1480
2 STAGE FFL	3000	2092	3684	4224	1362	6	2770	2680	2770	2680
	3200	2192	3884	4424	1462	6	2770	2670	2770	2670
	3500	2342	4184	4724	1612	6	2760	2670	2760	2670
	3700	2442	4384	4924	1712	6	2760	2660	2760	2660
	4000	2642	4684	5224	1912	6	2750	2660	2750	2660
	4500	2892	5184	5724	2162	6	2680	2590	2680	2590
	5000	3192	5684	6224	2462	6	2570	2720	2480	2470
	5400	3392	6084	6624	2662	6	2470	2390	2080	2060
	4020	2042	4690	5238	1320	6	2740	2640	2740	2640
	4320	2092	4990	5538	1370	6	2710	2620	2580	2560
3 STAGE FFL	4620	2192	5290	5838	1470	6	2640	2550	2290	2270
	4920	2342	5590	6138	1620	6	2580	2490	2020	2000
	5520	2592	6190	6738	1870	6	2070	2070	1530	1510
	6120	2842	6790	7338	2120	6	1580	1570	1130	1100
	6570	3042	7240	7788	2320	6	1260	1240	880	850
	7020	3192	7690	8238	2470	6	990	960	670	630

H3.5A RATED CAPACITY @ 500MM LOAD CENTRE										
MAST	Maximum Fork Height (TOF) (mm)	Lowered height (mm)	Extended Height without LBR (mm)	Extended Height with LBR (mm)	Free Lift Height with LBR (mm)	Back Tilt (deg.)	Capacities (kg) @ 500mm Load Centre			
							Pneumatic Shaped Solid Tyres		Pneumatic Radial Tyres	
							Without sideshift (kg)	With sideshift + Fork Positioner (kg)	Without sideshift (kg)	With sideshift + Fork Positioner (kg)
							H3.5A	H3.5A	H3.5A	H3.5A
2 STAGE LFL	2980	2142	3662	4198	50	6	3500	3460	3500	3460
	3280	2292	3962	4498	50	6	3500	3460	3500	3460
	3380	2342	4062	4598	50	6	3500	3450	3500	3450
	3580	2442	4262	4798	50	6	3500	3450	3500	3450
	3880	2692	4562	5098	50	6	3500	3440	3500	3440
	4180	2842	4862	5398	50	6	3500	3430	3500	3430
	4480	2992	5162	5698	50	6	2930	3360	3100	3100
	4780	3242	5462	5998	50	6	2870	2380	2700	2710
	5480	3592	6162	6698	50	6	2660	2900	1870	1870
	5880	3892	6562	7098	50	6	2210	2350	1430	1430
2 STAGE FFL	3000	2092	3684	4224	1362	6	3500	3420	3500	3420
	3200	2192	3884	4424	1462	6	3500	3420	3500	3420
	3500	2342	4184	4724	1612	6	3500	3410	3500	3410
	3700	2442	4384	4924	1712	6	3500	3410	3500	3410
	4000	2642	4684	5224	1912	6	3500	3400	3500	3400
	4500	2892	5184	5724	2162	6	3430	3320	3100	3090
	5000	3192	5684	6224	2462	6	3310	3190	2460	2450
	5400	3392	6084	6624	2662	6	3020	3030	1990	1980
	4020	2042	4690	5238	1320	6	3500	3420	3130	3110
	4320	2092	4990	5538	1370	6	3460	3390	2750	2740
3 STAGE FFL	4620	2192	5290	5838	1470	6	3270	3280	2400	2400
	4920	2342	5590	6138	1620	6	2890	2890	2090	2080
	5520	2592	6190	6738	1870	6	2200	2190	1530	1520
	6120	2842	6790	7338	2120	6	1620	1600	1090	1050
	6570	3042	7240	7788	2320	6	1240	1220	810	770
	7020	3192	7690	8238	2470	6	940	900	580	540

H3.5A RATED CAPACITY @ 600MM LOAD CENTRE										
MAST	Maximum Fork Height (TOF) (mm)	Lowered height (mm)	Extended Height without LBR (mm)	Extended Height with LBR (mm)	Free Lift Height with LBR (mm)	Back Tilt (deg.)	Capacities (kg) @ 600mm Load Centre			
							Pneumatic Shaped Solid Tyres		Pneumatic Radial Tyres	
							Without sideshift (kg)	With sideshift + Fork Positioner (kg)	Without sideshift (kg)	With sideshift + Fork Positioner (kg)
							H3.5A	H3.5A	H3.5A	H3.5A
2 STAGE LFL	2980	2142	3662	4198	50	6	3280	3150	3280	3150
	3280	2292	3962	4498	50	6	3270	3150	3270	3150
	3380	2342	4062	4598	50	6	3270	3150	3270	3150
	3580	2442	4262	4798	50	6	3270	3140	3270	3140
	3880	2692	4562	5098	50	6	3250	3130	3250	3130
	4180	2842	4862	5398	50	6	3250	3120	3250	3120
	4480	2992	5162	5698	50	6	3180	3060	3080	3060
	4780	3242	5462	5998	50	6	3110	2990	2700	2690
	5480	3592	6162	6698	50	6	2870	2820	1870	1870
	5880	3892	6562	7098	50	6	2330	2350	1430	1430
2 STAGE FFL	3000	2092	3684	4224	1362	6	3220	3110	3220	3110
	3200	2192	3884	4424	1462	6	3220	3110	3220	3110
	3500	2342	4184	4724	1612	6	3210	3110	3210	3110
	3700	2442	4384	4924	1712	6	3210	3100	3210	3100
	4000	2642	4684	5224	1912	6	3200	3090	3200	3090
	4500	2892	5184	5724	2162	6	3130	3020	3090	3020
	5000	3192	5684	6224	2462	6	3010	2910	2460	2450
	5400	3392	6084	6624	2662	6	2910	2810	1990	1980
	4020	2042	4690	5238	1320	6	3200	3120	3090	3080
	4320	2092	4990	5538	1370	6	3190	3090	2730	2720
3 STAGE FFL	4620	2192	5290	5838	1470	6	3120	3020	2400	2390
	4920	2342	5590	6138	1620	6	2890	2890	2090	2080
	5520	2592	6190	6738	1870	6	2200	2190	1530	1520
	6120	2842	6790	7338	2120	6	1620	1600	1090	1050
	6570	3042	7240	7788	2320	6	1240	1220	810	770
	7020	3192	7690	8238	2470	6	940	900	580	540

STANDARD AND OPTIONAL EQUIPMENT

	STD	OPT
Yanmar 2.2L LPG Non Certified		X
Yanmar 2.2L Dual Fuel Non Certified		X
Yanmar 3.0L Diesel Non Certified		X
Yanmar 3.3L Diesel Non Certified		X
Powershift Transmission	X	
Duramatch Transmission		X
Drum Brakes	X	
Oil immersed brakes		X
Standard (-20° C to 40° C) Environmental construction	X	
High Air Intake	X	
Heavy duty air intake and pre-cleaner options		X
Internal Air Intake		X
Fixed LPG bracket with Fabric strap		X
Swing Out and Drop Down LPG bracket with Fabric Strap		X
LPG tank bracket interlock		X
Integrated Fuel Level Sensor	X	
On-demand cooling system		X
Low Exhaust		X
Overhead Exhaust		X
System monitoring package		X
Premium monitoring package		X
Powertrain Protection with engine shutdown		X
Radiator Screen		X
Exhaust wraps		X
Empty seat engine shutdown		X
Hot ambient construction		X
	STD	OPT
Single pedal inch brake	X	
Tyres - Super Elastic	X	
Tyres - Super Elastic - Premium		X
Tyres - Super Elastic - Premium - Non Marking		X
Tyres - Pneumatic Radial - Premium		X
Tyres - Pneumatic - Premium		X
Dual tread tyres		X
Wide tread tyres		X
Steer Column with Tilt and Telescope		X
Steering Column Mounted Directional Control	X	
Steering Wheel with Spinner Knob	X	
Steer Column with Infinitely Adjustable Tilt	X	
On Demand Power Steering	X	
On demand Power Steering with Synchronous Steering		X
	STD	OPT
2 Stage Limited Free Lift Mast – Class II/III	X	
2 Stage Full Free Lift Mast – Class II/III		X
3 Stage Full Free Lift Mast – Class II/III		X
2 Stage Limited Free Lift Mast - Class III - 3.0t	X	
2 Stage Full Free Lift Mast - Class III - 3.0t		X
3 Stage Full Free Lift Mast - Class III - 3.0t		X
6° Forward / 6° Back Mast Tilt	X	
10° Forward / 6° Back Mast Tilt		X
On Demand Hydraulic Pump (VDP)	X	
	STD	OPT
Hook Type Standard Carriage - 1070mm	X	
Hook Type Standard Carriage - 1220mm		X
Hook Type Integral Sideshift Carriage - 1070mm		X
Hook Type Integral Sideshift Carriage - 1220mm		X
Hook Type Integral Sideshifting Fork positioner - 1070mm		X
Hook Type Integral Sideshifting Fork positioner - 1220mm		X
Type Standard Taper Forks 1000mm	X	
Type Standard Taper Forks 1100mm		X
Hook Type Standard Taper Forks 1200mm		X
Without Load backrest		X
1220mm High Load Backrest	X	
915mm High Load Backrest		X
915mm High Load Backrest Drop Centre		X
1524mm High Load Backrest		X
Tilt Cylinder Boots		X
Hydraulic Accumulator		X
Manual Lever Hydraulic Control	X	
Mini Lever Hydraulic Control		X
Joystick hydraulic control		X
High temperature hydraulic fluid		X
Clamping function		X

Return to set tilt function		X
2 Function (0 Auxiliary) Hydraulic Valve		X
3 Function (1 Auxiliary) Hydraulic Valve		X
4 Function (2 Auxiliary) Hydraulic Valve		X
Auto Speed Hydraulics		X
Anti Chain Slack		X
Fork Laser Positioning System		X
Height Selector		X
Load Weight Display		X
	STD	OPT
Dual Side View Mirrors		X
Panoramic Mirror		X
LED Work lights		X
High Performance LED Work lights		X
Rear reflector		X
LED Rear light package Brake/Tail/Backup		X
LED Rear light package Brake/Tail/Backup/Turn		X
LED Rear light package Brake/Tail/Backup/Turn/Hazards		X
Switch Activated Strobe Light		X
Audible Reverse Alarm		X
Forward and Reverse Alarm		X
LED Mast Mounted lights		X
Blue LED Pedestrian Awareness Spotlights		X
Red LED Pedestrian Awareness Perimeter Lines		X
Rear View Camera System Integrated in 178mm Colour Display		X
	STD	OPT
Rectangular Tube Overhead Guard		X
Rectangular Tube Overhead Guard low		X
Grid Style Overhead Guard	X	
Clear View Overhead Guard		X
Cabin Options (Partial, PVC, Steel Doors)		X
Rear Drive Handle with Horn Button		X
Console Tray		X
71mm Colour Touchscreen Display		X
127mm / 5" Colour Touchscreen Display		X
178mm / 7" Colour Touchscreen Display		X
Full Suspension Vinyl Seat		X
Full Suspension Cloth Seat		X
Full Suspension Vinyl Seat - Value		X
Air Ride Full Suspension Vinyl Seat		X
Air Ride Full Suspension Cloth Seat		X
Full suspension seat - Low profile		X
Sun Shades (top and / or front)		X
Air Conditioning		X
Accessory Mounting Post and options		X
12v Aux supply		X
12v Supply with twin USB charging sockets		X
	STD	OPT
Key Switch Start		X
Keyless with Operator password start		X
Engine driven cooling		X
Travel speed Alarm		X
Battery disconnect		X
Front Mud Guards		X
Drive axle string cutter		X
Standard Seat Belt	X	
HI VIS Red Seat Belt		X
Telemetry Prepared	X	
Dynamic Stability System		X
Speed Reduction in Corners		X
Seat Side Direction Control		X
Foot Direction Control		X
Hyster Tracker Wireless Monitoring		X
Hyster Tracker Wireless Access		X
Hyster Tracker Wireless Verification		X
	STD	OPT
Hyster yellow paint base truck		X
Special paint base truck		X
	STD	OPT
24 Months / 4,000 Hours Warranty		X
36 Months / 6,000 Hours Warranty		X
CE Certification		X
Literature Pack	X	





HYSTER-YALE UK LIMITED trading as **Hyster Europe**.



Registered Address:
Centennial House, Building 4.5,
Frimley Business Park, Frimley,
Surrey GU16 7SG,
United Kingdom.



Safety: This truck conforms to the current EU requirements.

 www.hyster.eu  infoeurope@hyster.com  [/HysterEurope](https://www.facebook.com/HysterEurope)  [@HysterEurope](https://twitter.com/HysterEurope)  [/HysterEurope](https://www.youtube.com/HysterEurope)

Registered in England and Wales. Company Registration Number: 02636775.

©2021 HYSTER-YALE UK LIMITED, all rights reserved. HYSTER, , STRONG PARTNERS. TOUGH TRUCKS., MONOTROL and  are trademarks of HYSTER-YALE Group, Inc. . Hyster products are subject to change without notice. Forklift trucks illustrated may feature optional equipment.