

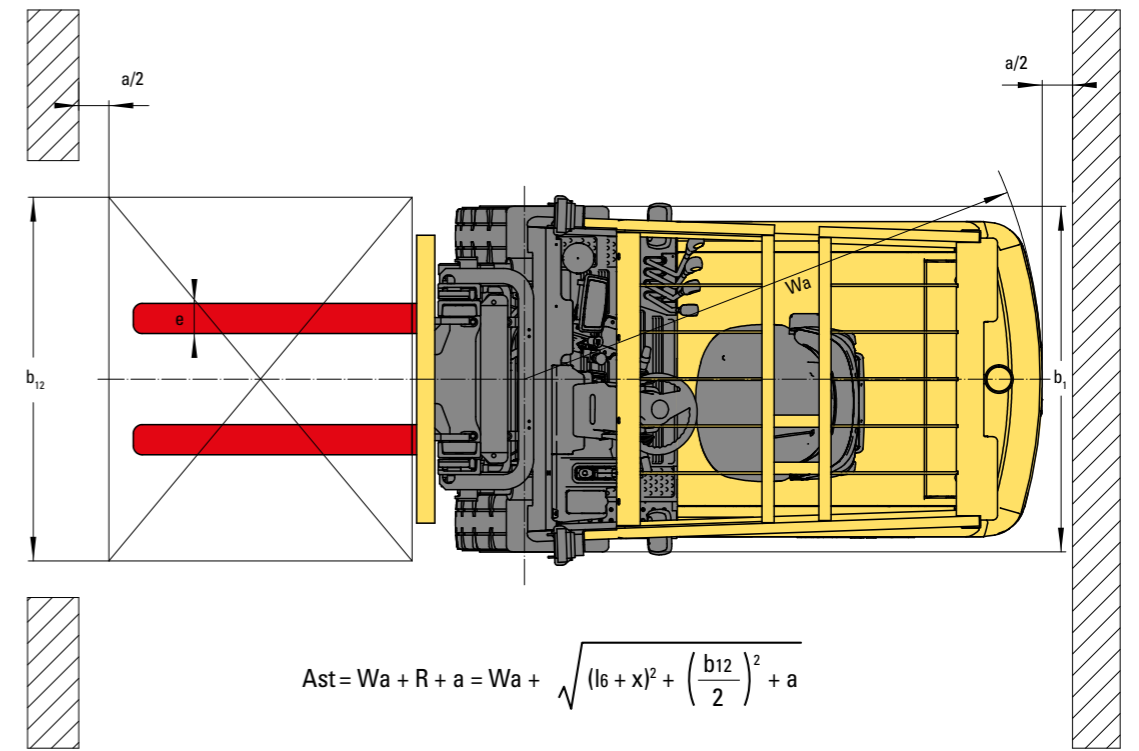
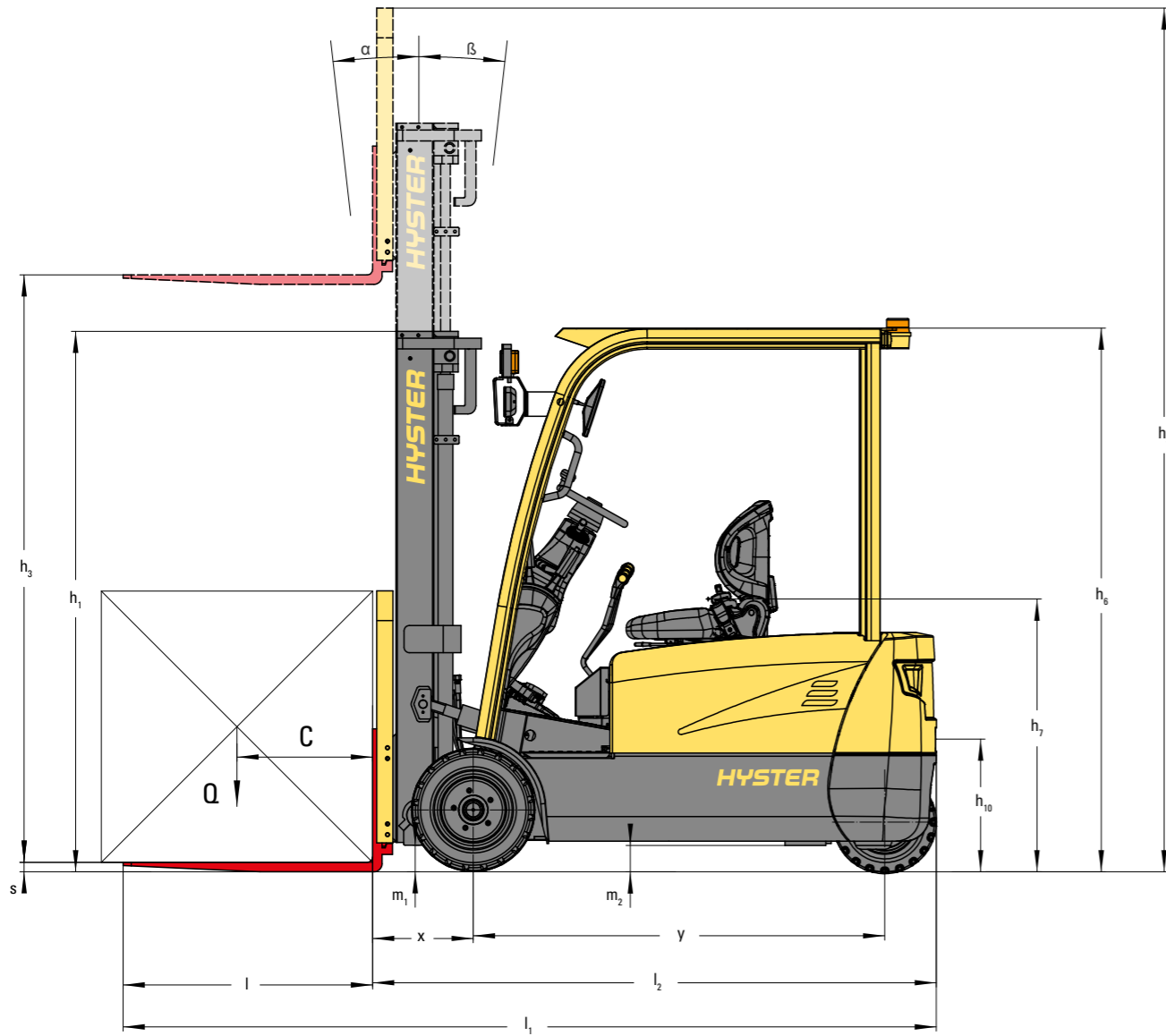
J1.6-2.0UTT J1.6-2.0UTTTL SERIES



ELECTRIC FORKLIFT TRUCKS
PRODUCT TECHNICAL GUIDE



WWW.HYSTER.COM



J1.6-2.0UTT / J1.6-2.0UTTL SPECIFICATIONS

MAST AND CAPACITY INFORMATION

GENERAL	1-1		Manufacturer		HYSTER											
	1-2		Model designation		J1.6UTT(L)		J1.8UTT (L)		J2.0UTT (L)							
WEIGHT	1-3		Drive													
	1-4		Operator type													
WHEELS	1-5		Rated capacity/rated load		1600		1800		2000							
	1-6		Load centre distance		500											
DIMENSIONS	1-8		Load distance, centre of drive axle to fork		371											
	1-9		Wheelbase		1400		1515									
PERFORMANCE	2-1		Service weight		3120		3190		3380							
	2-2		Axle loading with load, front / rear		4010		660		4420		510		4870		580	
OTHER	2-3		Axle loading without load, front / rear		1480		1640		1500		1690		1580		1810	
	3-1		Tyres, front / rear		Superelastic											
MOTOR	3-2		Tyre size, front		18x7-8		200x50-10									
	3-3		Tyre size, rear		15x4-1 / 2-8											
GENERAL	3-5		Wheels, number front / rear (x = driven wheels)		2x / 2											
	3-6		Tread, front		b ₁₀		mm		933		952					
WEIGHT	3-7		Tread, rear		b ₁₁		mm		186							
	4-1		Tilt of mast / fork carriage forward / backward		(°)						6.5 / 6.5					
DIMENSIONS	4-2		Height, mast lowered		h ₁		mm		1992		1990					
	4-3		Free lift (1)		h ₂		mm		35				54			
PERFORMANCE	4-4		Lift Height (1)		h ₃		mm		3036		3045					
	4-5		Height, mast extended (3)		h ₄		mm		4030		4000					
MOTOR	4-7		Height of overhead guard (cabin) (4)		h ₆		mm		2002		2004					
	4-8		Seat height relating to SIP (2)		h ₇		mm		965							
DIMENSIONS	4-12		Coupling height		h ₁₀		mm		445		485					
	4-19		Overall length		l ₁		mm		2894		3153					
PERFORMANCE	4-20		Length to face of forks		l ₂		mm		1974		2084					
	4-21		Overall width		b ₁ /b ₂		mm		1084		1140					
MOTOR	4-22		Fork dimensions DIN ISO 2331		s/e/l		mm		35 / 100 / 920		40 / 122 / 1070					
	4-23		Fork carriage ISO 2328, class/type A, B		mm						2A					
DIMENSIONS	4-24		Fork carriage width (3)		b ₃		mm		951		950					
	4-25		Distance between fork-arms		b ₅		mm		200 / 890		240 / 890					
PERFORMANCE	4-31		Ground clearance, laden, below mast		m ₁		mm		89		88					
	4-32		Ground clearance, centre of wheelbase		m ₂		mm		96		95					
MOTOR	4-34-1		Aisle width for pallets 1000 x 1200 crossways		Ast		mm		3290		3445					
	4-34-4		Aisle width for pallets 800 x 1200 lengthways		Ast		mm		3415		3410					
DIMENSIONS	4-35		Turning radius		W _a		mm		1601		1716					
	4-36		Internal turning radius		b ₁₃		mm		0							
PERFORMANCE	5-1		Travel speed with / without load		km		h		14.0 / 16.0							
	5-2		Lifting speed with / without load		mm		s		352 / 500		349 / 500		310 / 500			
MOTOR	5-3		Lowering speed with / without load		mm		s		411 / 485		425 / 485					
	5-6		Max. drawbar pull with / without load, 3 minute rating		N				15,500 / 10,000		15,000 / 10,500		15,500 / 12,000			
PERFORMANCE	5-8		Max. gradeability with/without load, 5 minute rating		%		20 / 30									
	5-9		Acceleration time, with / without load		s				4.46 / 4.35		5.98 / 5.63					
MOTOR	5-10		Service brake		Hydraulic											
	6-1		Drive motor rating S2 60 min		kW		2 x 5									
DIMENSIONS	6-2		Lift motor rating at S3 15% rating		kW		11									
	6-3		Battery according to DIN 43531/35/36 A, B, C, no		m		s				no					
PERFORMANCE	6-4-1		Battery voltage/nominal capacity K5 (Lead acid)		V		Ah		48 / 460		48 / 600					
	6-4-2		Battery voltage/nominal capacity K5 (Lithium ion)		V		Ah		51.20 / 250/375/500							
MOTOR	6-5		Battery weight		kg		945				1088					
	6-5-1		Battery dimensions		l/w/h		mm		830 / 630 / 627		830 / 738 / 627					
DIMENSIONS	6-5-2		Battery compartment dimensions		l/w/h		mm		843 / 634 / 645		843 / 752 / 645					
	6-6		Power consumption in accordance with VDI cycle		kWh		h		5.19		5.30		5.7			
OTHER	10-1		Type of drive unit		AC / ZAPI											
	10-2		Operating pressure for attachments (5)		bar				145		175					
MOTOR	10-3		Oil volume for attachments		l		min		38							
	10-4		Sound pressure level at the driver's seat L _{PAZ} (6)		dB		A		64.8		69.6					
PERFORMANCE	10-5		Towing coupling, type DIN		Yes / Pin											

NOTES:

- (1) Bottom of forks
- (2) Full suspension seat in depressed position.
- (3) Without load backrest

(4) h₆ subject to +/- 5 mm tolerance.

(5) Variable

(6) LPAZ, measured according to the test cycles and based on the weighting values contained in EN12053.

All values are nominal values and they are subject to tolerances.

J1.6-2.0UTT / J1.6-2.0UTTL RATED CAPACITY KG@ 500 MM LOAD CENTRE

	Maximum fork height h ₃ + s (mm)	Mast Tilt		Lowered height h ₁ (mm)	Extended height h ₄ (mm)		Free Lift		Load Capacity		
		Forward tilt (deg)	Back tilt (deg)		Without Load Backrest	With Load Backrest	Without Load Backrest	With Load Backrest	1.6t	1.8t	2.0t
2-STAGE LIMITED FREE LIFT	3300	6.5	6.5	2125	3790	4310	0	0	1600	1800	2000
	3700	6.5	6.5	2325	4190	4710	0	0	1600	1800	2000
	4000	3.5	5	2525	4490	5010	0	0	1600	1800	2000
	4500	3.5	5	2775	4990	5510	0	0	1400	1600	1800
	5000	3.5	5	3025	5490	6010	0	0	1250	1450	1500
2-STAGE FULL FREE LIFT	5500	3.5	5	3325	5990	6510	0	0	1150	1200	1300
	6000	3.5	5	3575	6490	7010	0	0	1050	1100	1200
	3300	6.5	6.5	2125	3790	4310	1660	1140	1600	1800	2000
	3700	6.5	6.5	2325	4190	4710	1860	1340	1600	1800	2000
	4350	3.5	5	1975	4840	5360	1510	990	1500	1700	1900
3-STAGE FULL FREE LIFT	4800	3.5	5	2125	5290	5810	1660	1140	1300	1500	1650
	5000	3.5	5	2225	5490	6010	1760	1240	1250	1450	1500
	5500	3.5	5	2390	5990	6510	1925	1405	1150	1200	1300
	6000	3.5	5	2575	6490	7010	2110	1590	1050	1100	1200

NOTES:

Specifications are affected by the condition of the vehicle and how it is equipped, as well as the nature and condition of the operating area. Inform your dealer of the nature and condition of the intended operating area when purchasing your Hyster® truck.

NOTICE:

Care must be exercised when handling elevated loads. Operators must be trained and must read, understand and follow the instructions contained in the Operating Manual. All values are nominal values and they are subject to tolerances. For further information, please contact the manufacturer.

Hyster products are subject to change without notice. Lift trucks illustrated may feature optional equipment. Values may vary with alternative configurations.

Specification data is based on VDI 2198.



Safety: This truck conforms to the current EU and ANSI requirements.

BATTERY INFORMATION

LI-ION BATTERY DATA	48 Volt J1.6-2.0UTT(L)		
Battery Type	51.2V250AH	51.2V375AH	51.2V500AH
Dimension (L x W x H, mm) (w/o CWT)	754 X 470 X 610		
Weight (Kg) (w/o CWT)	276		
Battery Colour	HYG HCE-51 Black		
Nominal Voltage (V)	51.2		
Maximum Voltage (V)	57.9		
Minimum Voltage (V)	40.8		
Nominal Capacity (Ah)	250	375	500
Usable Capacity (Ah)	225	356	475
Energy (Kwh)	12.8	19.2	25.6
Nominal Discharge Current (A)	220	300	
Maximum Discharge Current -5s (A)	400	500	
Nominal Charge Current (A)	100	150	200
Maximum Charge Current -5s (A)	200	300	400
Operating Temperature (C)	-10°- 45°	-25°- 45°	
Charging Temperature (C)	0° - 45°		
Power Connector	DIN 160A		
Power Connector Position	Floating on top		
Charge Connector	DIN 160A		
Charge Connector Position	Fixed lateral side or on top		
Antiarc Type	n/a		
CANBUS Protocol	HYG		
CANBUS Speed	125Kbps for CH & TR		
Chemistry	LFP		

LI-ION CACTI CHARGER DATA	48 Volt J1.6-2.0UTT(L)		
For Corresponding Li-ion Battery Type	51.2V250AH	51.2V375AH	51.2V500AH
CACTI Charger description	HWCD18-48V		
Charger type	Three Phase Lithium Ion LFP CACTI charger with 160A connector		
Charger type	48V 100A (4.8kW)	48V 150A (7.2kW)	48V 150A (7.2kW)
Charge time	250AH: Single - 2.5hr, Dual - 1.5hr	375AH: Single - 2.5hr, Dual - 1.5hr	500AH: Single - 3.2hr, Dual - 1.9hr
Output Voltage Range	18-60VDC		
Current Limit Adjustable Range	2A-100A	2A-150A	2A-150A
AC Input Voltage Range	320-475VAC		
AC Input Frequency	45H-65Hz		
AC Power Factor (PF)	≥0.99		
AC Current distribution (THD)	≤5%		
Peak-to-peak Noise (DC Output)	≤1%		
Stabilization Accuracy (DC Output)	±0.5%		
Steady Flow Accuracy (DC Output)	±0.5%		
Current Sharing (DC Output)	±5%		
Effectiveness (DC Output)	Output 18-60Vdc, Load ≥50% Nominal, the overall efficiency ≥93% Output 70-100Vdc, Load ≥50% Nominal, the overall efficiency ≥94%		
Protection (DC Output)	Short circuit, over current, over voltage, reverse connection, current backflow protection		
Working Temperature (C)	-30°-55° normal operation; 57°-75° derating output; 75° or more shutdown protection		
Storage Temperature (C)	-40°-75°		
Relative Humidity	0-95%		
Altitude	≤2000m full load, 2000-3000m in accordance with GB/T3859.2-1993 5.11.2 predetermined, derating		
Output plug-in Specifications	Comply with GB/T 20234-2015.3		
Cooling Method	Forced air cooling		
Dimension (L x W x H, mm)	558 x 330 x 617		
Weight (Kg)	54		
Protection Level	IP23		

STANDARD AND OPTIONAL EQUIPMENT

PERFORMANCE	STD	OPT
48 volt electrical system REMA 160A Connector for J1.6-2.0UTT(L)	X	
Standard Construction	X	
Vertical Battery Removal - without rollers Lift Out	X	
Without Battery on Lead Acid models	X	
Without Charger on Lead Acid models	X	
Li-ion Integrated Battery on L models	X	
48V 250Ah (12.8kWh) Integrated Li-ion battery		X
48V 375Ah (19.2kWh) Integrated Li-ion battery		X
48V 500Ah (25.6kWh) Integrated Li-ion battery		X
Li-ion Charger on L models	X	
48V 100A (4.8kW) Three Phase Lithium Ion LFP CACTi charger with 160A connector		X
48V 150A (7.2kW) Three Phase Lithium Ion LFP CACTi charger with 160A connector		X
Less Li-ion Charger		X
DRIVE	STD	OPT
Integrated Directional Switch	X	
MONOTROL® Directional Control Pedal		X
Tyres - Super Elastic	X	
Tyres - Super Elastic - Non-Marking		X
Rear Wheel Angle Indicator	X	
Power Steering and Tilt Adjustable Steering column	X	
Steering Wheel with Spinner Knob	X	
LIFT	STD	OPT
2 Stage Limited Free Lift Mast 3300mm	X	
Available with range of 2 Stage Limited Free Lift and 2 or 3 Stage Full Free Lift Masts		X
6.5° Forward / 6.5° Back Mast Tilt	X	
3.5° Forward / 5° Back Mast Tilt		X
HANDLING	STD	OPT
With Tilt Cylinder Boots	X	
970 mm wide class II J1.6-2.0UTT(L), hook-type standard carriage	X	
Hook Type Integral Sideshift Carriage		X
930 mm high class II J1.6-2.0UTT(L) Load Backrest	X	
Hook Type Standard Taper Forks - 920mm x 100mm x 35mm	X	
Hook Type Standard Taper Forks - 1070mm x 100mm x 35mm		X
Hook Type Standard Taper Forks - 1150mm x 100mm x 35mm		X
Hook Type Standard Taper Forks - 1220 x 100mm x 35mm		X
Hook Type Standard Taper Forks - 1070mm x 122mm x 40mm	X	
Hook Type Standard Taper Forks - 1150 x 122mm x 40mm		X
Hook Type Standard Taper Forks - 1220 x 122mm x 40mm		X
2 Function (0 Auxiliary) Hydraulic Valve	X	
3 Function (1 Auxiliary) Hydraulic Valve		X
4 Function (2 Auxiliary) Hydraulic Valve		X

All values are nominal values and they are subject to tolerances.

VISIBILITY	STD	OPT
Audible Reverse Alarm		X
Amber Strobe Light - Ignition Activated	X	
Parking Alarm	X	
Less lights	X	
LED Work Lights Two Front LED Work Lights with Stop, Tail, Indicator, and Reverse Lights		X
LED Two Front / One Rear Work Light Package with Brake / Tail / Back-Up Lights with Turn Signals		X
Blue spot lights		X
ERGONOMICS	STD	OPT
Overhead Guard - 2010mm or new 2056mm	X	
Dual Mirrors Side View	X	
Panoramic Mirror		X
Dual USB Ports	X	
12V Outlet - automotive style socket under the dash	X	
Rear Drive Handle with Horn Button		X
Full Suspension Vinyl Seat	X	
Full Suspension Cloth Seat		X
Black Seat Belt - Black - With Traction Interlock	X	
Standard Seat Belt		X
Black Seat Belt - Black - With Sequential Interlock		X
OPERATION	STD	OPT
Key Switch Start	X	
Traction Speed Limiter		X
Operator Presence System (OPS)	X	
Manual Park Brake	X	
SUPPLEMENTAL	STD	OPT
12 Months / 2,000 Hours Manufacturer's Warranty	X	
60 months / 7,500 hours Integrated Li-ion Battery Warranty	X	
12 months Li-ion CACTI Charger Warranty	X	
Literature Package	X	




HYSTER EUROPE
Centennial House, Building 4.5, Frimley Business Park,
Frimley, Surrey, GU16 7SG, United Kingdom

Visit us online at www.hyster.com or call us at **+44 (0) 1276 538500**.

HYSTER-YALE UK LIMITED trading as Hyster Europe.

Registered Address: Centennial House, Building 4.5, Frimley Business Park, Frimley, Surrey GU16 7SG, United Kingdom.

Registered in England and Wales. Company Registration Number: 02636775.

© HYSTER-YALE UK LIMITED. 2023, all rights reserved. Hyster and  are trademarks of Hyster-Yale Group, Inc.

Hyster products are subject to change without notice. Trucks may be shown with optional equipment.



Safety: This truck conforms to the current EU requirements