

WWW.HYSTER.COM

**INTERNAL COMBUSTION
COUNTERBALANCED FORKLIFT
PRODUCT BROCHURE**

H80-100UT



THE POWER TO MOVE AHEAD

The Hyster® H80-100UT is part of the UT Series that is designed to help industrial businesses everywhere reduce costs and get the job done. When matched with the right application, you can rely on these tough UT forklifts to stack, load and move goods within your operation every day, shift after shift. Plus, just like all Hyster trucks, the UT Series models, including the H80-100UT, are backed by our highly experienced authorized dealer network so they are easy to service and maintain with readily available parts and a fully backed warranty. Stay in control with a lift truck that has the strength and performance you can depend on from Hyster.

Get the strength you'd expect from Hyster with a low total cost of ownership with the UT Series.



OVERVIEW

The H80-100UT was engineered for operations looking for a reliable, cost-effective solution to get the job done — all backed by the trusted Hyster name.

THE RANGE

The range consists of 8,000-10,000 lb IC counterbalance, pneumatic tire forklift trucks, available in three different capacities (lift and load center):

8,000 lb – H80UT

9,000 lb – H90UT

10,000 lb – H100UT

Each model is available with diesel, LPG, and dual fuel Kubota 3.8L engines, 2-speed forward/1-speed reverse powershift transmission and a range of front end equipment options to suit varying application requirements.

EASY TO OPERATE

The ergonomically designed operator compartment, with a familiar automotive layout, means that drivers will be able to work comfortably.

A range of standard features and options available to help configure the truck appropriately to meet the needs of the application.

SERVICEABILITY

Due to the simplicity of the components and specifications, servicing can be carried out quickly and easily.

LOW COST OF OWNERSHIP

The use of high quality, robust components, efficient filtration and excellent cooling helps contribute to reliable operations and lower wear and tear. This, together with the fast availability of cost-effective replacement parts helps to reduce service and maintenance requirements and costs.

SAFETY AND STABILITY

- Wide-view mast
- High strength overhead guard
- Muffler and engine protective system
- Low center of gravity

COMFORT

- Hyster special display with 3.5" LCD
- Large foot room on floor plate
- Hand parking brake lever with button
- Small diameter steering wheel with adjustable steering column

EASY MAINTENANCE

- Large access area for service and repairs
- Simple components
- Computer-based diagnostics not required

RELIABILITY AND EXCHANGEABILITY

- One piece welded overhead guard
- Exchangeable components such as engine cover, instrument panel, display and other components with other capacities in the same range.

ENVIRONMENTAL PROTECTION

- Noise isolation material
- Environmentally-aware design

DESIGNED AROUND THE OPERATOR

The design of the H80-100UT has been engineered with the operator in mind. The ergonomically designed compartment provides a natural and comfortable environment to help reduce fatigue throughout the shift. A range of standard features and options help to configure the truck to the needs of the application.

1 HIGH-STRENGTH OHG

The overhead guard features profiled steel to enhance operator protection.

3 LOW STEP HEIGHT

Convenient step placing to suit a variety of heights to support easy access to the truck at all times.

5 SMALL STEERING WHEEL

The adjustable steering wheel is convenient for the operator as it provides 8 degrees of adjustment, allowing for good maneuverability when working in confined spaces.

2 FULL-SUSPENSION SEAT

An optional full-suspension seat that offers excellence in comfort, with an operator presence system fitted as standard.

4 WIDE-VIEW MAST

The wide-view mast delivers excellent visibility of the load and operator's forward field of view, optimizing comfort and truck productivity.

6 INDUSTRIAL ENGINE

The UT Kubota 3.8L diesel, LPG, and dual fuel engine provides reliability and ease for sourcing replacement parts.



H80-100UT FEATURES



HYSTER DISPLAY WITH 3.5" LCD

- The Hyster UT Series Forklift adopts a 3.5" LCD display, providing convenient viewing of the display data when driving and operating



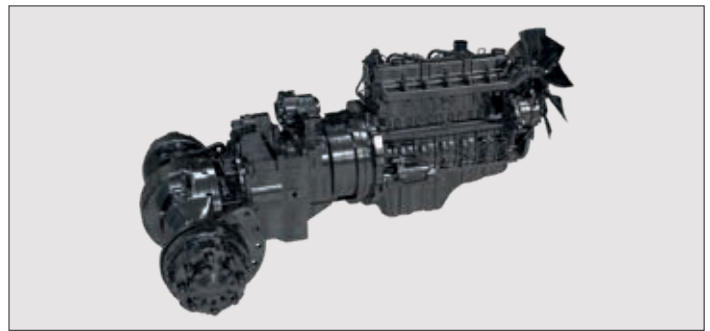
HAND PARKING BRAKE

- Low effort to operate park brake lever
- Hand parking brake lever with button



SPACIOUS FOOTWELL

- Spacious foot room design provides comfort, and convenience
- Control pedals provide extra foot space which reduces operator fatigue and increases operator comfort



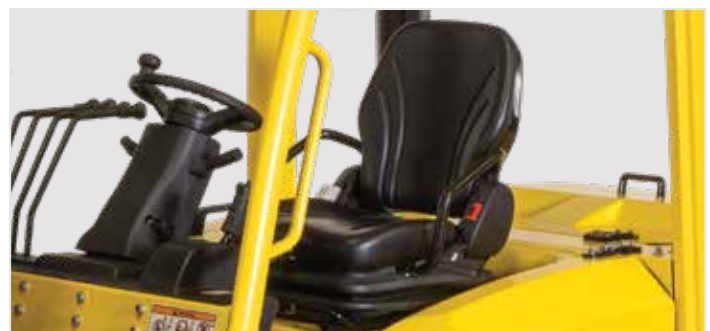
TRANSMISSION AND DRIVE AXLE

- Heavy duty and robust powershift transmission with two forward gears and one reverse
- Durable and long life drive axle



LARGE ACCESS AREA FOR SERVICE AND REPAIRS

- Large access space to engine compartment makes service and repairs easy



SUSPENSION SEAT

- Optional full-suspension seat offers excellent comfort
- Operator presence system as standard

H80-100UT FEATURES



SMALL DIAMETER STEERING WHEEL WITH ADJUSTABLE STEER COLUMN

- The 11.8" (300 mm) diameter steering wheel is easy to manipulate, responsive, and ensures optimum mobility when working in a narrow space
- The ideally positioned steering wheel allows 8 degrees of adjustment, to suit a variety of different operators



HIGH-STRENGTH OVERHEAD GUARD

- Profiled steel overhead guard
- High-strength roof enhances reliability and operator protection



GOOD THROUGH-MAST VISIBILITY

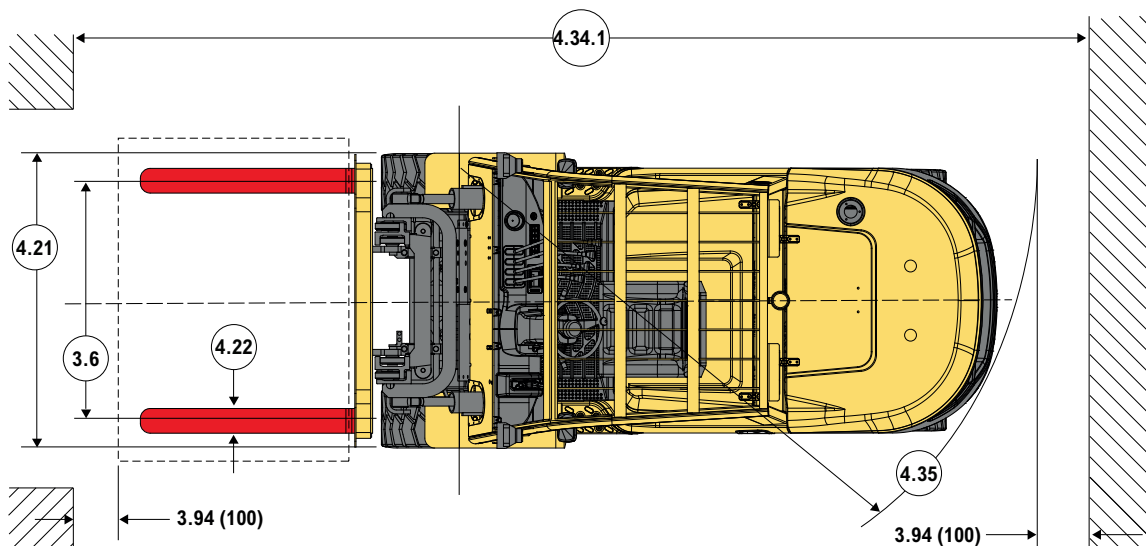
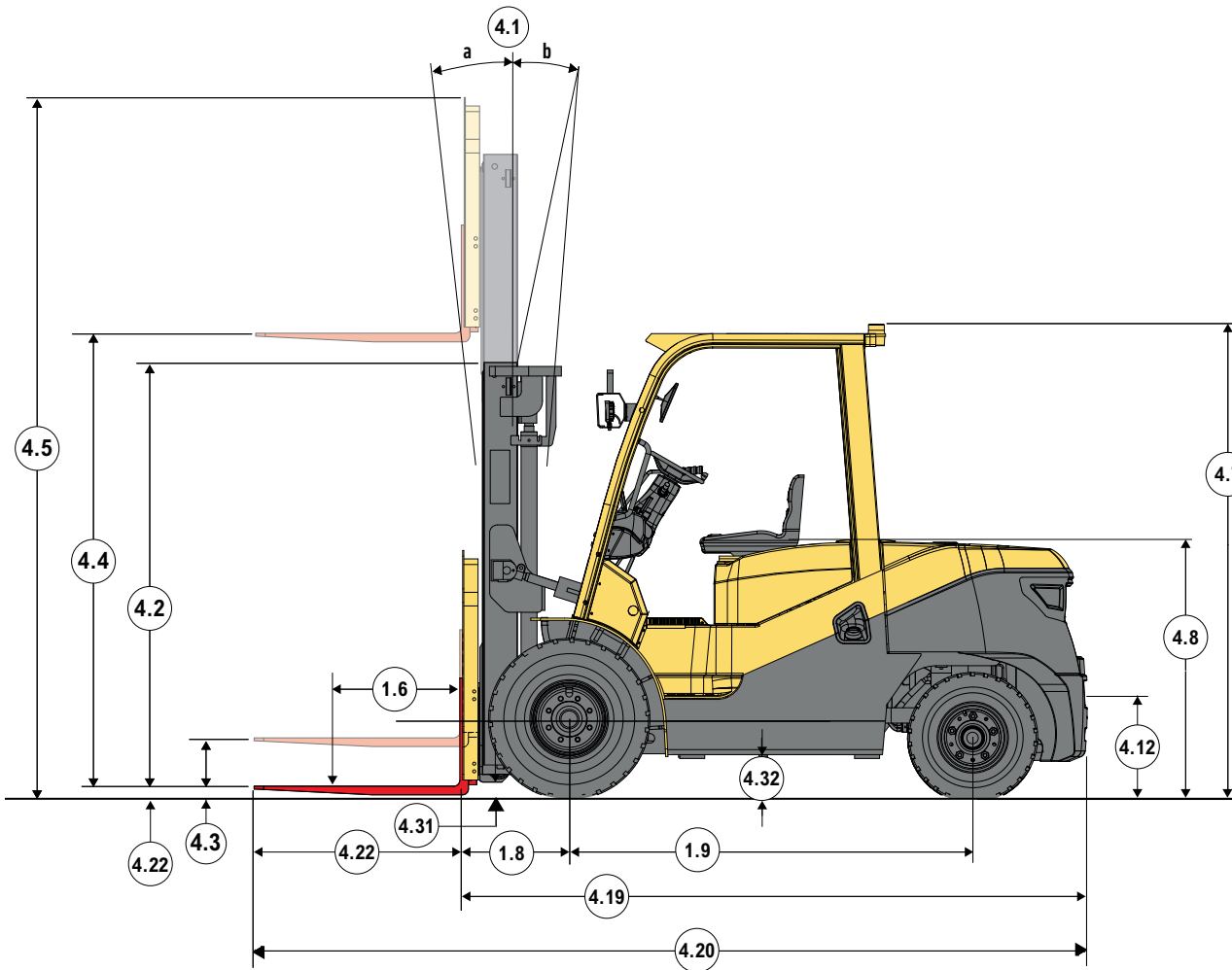
- The wide-view mast delivers excellent visibility of the load and operator's forward field of view. This optimizes comfort and promotes safe and productive operation.
- Mast composite roller structure



EXCHANGEABLE COMPONENTS

- Engine cover, instrument panel, display and most other components are exchangeable with other capacities in the same range
- Front fenders adaptable to single or dual wheel configuration

H80-100UT DIMENSIONS



H80UT | H90UT SPECIFICATIONS

			Hyster H80UT			Hyster H90UT				
			Kubota 3.8L	Kubota 3.8L	Kubota 3.8L	Kubota 3.8L	Kubota 3.8L	Kubota 3.8L		
GENERAL	1.1	Manufacturer	Hyster			Hyster				
	1.2	Model designation	H80UT			H90UT				
		Engine	Kubota 3.8L	Kubota 3.8L	Kubota 3.8L	Kubota 3.8L	Kubota 3.8L	Kubota 3.8L		
	1.3	Drive	Diesel	Dual fuel	LPG	Diesel	Dual fuel	LPG		
	1.4	Operator type	Seat			Seat				
	1.5	Rated capacity/rated load	lb(kg)	8000 (3628)			9000 (4082)			
	1.6	Load center distance	in (mm)	24 (600)			24 (600)			
	1.8	Load distance, center of drive axle to fork	in (mm)	22.6 (575)			22.6 (575)			
	1.9	Wheelbase (with mast vertical)	in (mm)	82.7 (2100)			82.7 (2100)			
WEIGHT	2.1	Service weight	lb (kg)	14186.8 (6435)			14704.8 (6670)			
	2.2	Axle loading, RL front/rear	lb (kg)	20271.5/2733.7 (9195/1240)			21863.2/2762.4 (9917/1253)			
	2.3	Axle loading, NL front/rear	lb (kg)	6779.2/7407.5 (3075/3360)			6415.5/8289.4 (2910/3760)			
TIRES/CHASSIS	3.1	Tire type	Pneumatic			Pneumatic				
	3.2	Tire size, front	300-15-18PR			300-15-18PR				
	3.3	Tire size, rear	7.00-12-12PR			7.00-12-12PR				
	3.5	Wheels, number front/rear	2x2			2x2				
	3.6	Tread, front	in (mm)	46.9 (1190)			46.9 (1190)			
	3.7	Tread, rear	in (mm)	44.5 (1130)			44.5 (1130)			
	DIMENSIONS	4.1	Tilt of mast/fork carriage, forward/backward	degrees	6/12			6/12		
4.2		Height, mast lowered	in (mm)	88.6 (2250)			88.6 (2250)			
4.3		Free lift	in (mm)	5.9 (150)			5.9 (150)			
4.4		Lift	in (mm)	118.1 (3000)			118.1 (3000)			
4.5		Height, mast extended	in (mm)	167.7 (4260)			167.7 (4260)			
4.7		Height of overhead guard/cabin	in (mm)	88.6/94.5 (2250/2400)			88.6/94.5 (2250/2400)			
4.8		Seat height/stand height	in (mm)	53.1 (1350)			53.1 (1350)			
4.12		Towing coupling height	in (mm)	13.4 (340)			13.4 (340)			
4.19		Overall length	in (mm)	168.5 (4280)			168.5 (4280)			
4.20		Length to face of forks	in (mm)	126.4 (3210)			126.4 (3210)			
4.21		Overall width, std/dual	in (mm)	58.7/75.7 (1490/1924)			58.7/75.7 (1490/1924)			
4.22		Fork dimensions ISO2331	in (mm)	2x5.9x42.1 (50x150x1070)			2x5.9x42.1 (50x150x1070)			
4.23		Fork carriage ISO 2328. Class/type, A/B		ISO 3A			ISO 3A			
4.24		Fork carriage width	in (mm)	54.3 (1380)			54.3 (1380)			
4.31		Ground clearance, laden, below mast	in (mm)	5.1 (130)			5.1 (130)			
4.32		Ground clearance, center of wheelbase	in (mm)	7.3 (186)			7.3 (186)			
4.34.1		Aisle width with pallets 40"x 48"	in (mm)	190 (4825)			190 (4825)			
4.35	Turning radius	in (mm)	112.2 (2850)			112.2 (2850)				
4.36	Internal turning radius	in (mm)	33.3 (845)			33.3 (845)				
PERFORMANCE	5.1	Travel speed, RL/NL	1-speed	mph (km/h)	9.3/9.9 (15/16)	11.2/11.8 (18/19)		9.3/9.9 (15/16)	11.2/11.8 (18/19)	
			2-speed	mph (km/h)	13.7/14.9 (22/24)	15.5/17.3 (25/28)	16.1/17.4 (26/28)	13.7/14.9 (22/24)	15.5/17.3 (25/28)	16.1/17.4 (26/28)
	5.1.1	Travel speed, RL/NL, reverse	1-speed	mph (km/h)	10.6/11.8 (17/19)	13/13.7 (21/22)		10.6/11.8 (17/19)	13/13.7 (21/22)	
	5.2	Lifting speed, RL/NL		fpm (mm/s)	104.3/110.2 (530/560)			104.3/110.2 (530/560)		
	5.3	Lowering speed RL/NL		fpm (mm/s)	98.4/88.6 (500/450)			98.4/88.6 (500/450)		
	5.6	Max. drawbar RL/NL		lbf (N)	7193.9/6069.8 (32000/27000)	7081.5/6744.3 (31500/30000)	7418.7/7193.9 (33000/32000)	7193.9/6069.8 (32000/27000)	7081.5/6744.3 (31500/30000)	7418.7/7193.9 (33000/32000)
	5.7	Gradeability, RL/NL @ 3mph (4.8 km/h)		%	23/25	24/25	25/25	22/25	23/25	23/25
5.10	Service brake			Hydraulic			Hydraulic			
ENGINE	7.1	Engine manufacturer/type		Kubota 3.8L	Kubota 3.8L	Kubota 3.8L	Kubota 3.8L	Kubota 3.8L	Kubota 3.8L	
	7.2	Engine power according to DIN ISO 1585		hp (Kw)	73.2 (54.6)	67.8 (50.6)	79.4 (59.2)	73.2 (54.6)	67.8 (50.6)	79.4 (59.2)
	7.3	Rated speed		min-1	2200	2400		2200	2400	
	7.4	Number of cylinders/displacement		-/cm3	4/3769			4/3769		
OTHER	10.1	Operating pressure for attachments		PSI (bar)	2828.2 (195)			2828.2 (195)		
	10.2	Oil volume for attachments		gal/min (l/min)	18.5 (70)			18.5 (70)		
	10.4	Fuel tank capacity (gas & diesel only)		gal (L)	26.4 (100)		N/A	26.4 (100)		N/A
	10.7	Sound pressure level at the driver's seat		dB (A)	81.5	88		81.5	88	
	10.8	Towing coupling, type DIN			PIN			PIN		

H100UT SPECIFICATIONS

GENERAL	1.1	Manufacturer		Hyster		
	1.2	Model designation		H100UT		
		Engine		Kubota 3.8L	Kubota 3.8L	Kubota 3.8L
	1.3	Drive		Diesel	Dual fuel	LPG
	1.4	Operator type		Seat		
	1.5	Rated capacity/rated load	lb(kg)	10000 (4535.9)		
	1.6	Load center distance	in (mm)	24 (600)		
	1.8	Load distance, center of drive axle to fork	in (mm)	22.8 (580)		
	1.9	Wheelbase (with mast vertical)	in (mm)	82.7 (2100)		
WEIGHT	2.1	Service weight	lb (kg)	15454.4 (7010)		
	2.2	Axle loading, RL front/rear	lb (kg)	23832/2645.5 (10810/1200)		
	2.3	Axle loading, NL front/rear	lb (kg)	6966.6/8487.8 (3160/3850)		
TIRES/CHASSIS	3.1	Tire type		Pneumatic		
	3.2	Tire size, front		300-15-18PR		
	3.3	Tire size, rear		7.00-12-12PR		
	3.5	Wheels, number front/rear		2X2		
	3.6	Tread, front	in (mm)	46.9 (1190)		
	3.7	Tread, rear	in (mm)	44.5 (1130)		
	DIMENSIONS	4.1	Tilt of mast/fork carriage, forward /backward	degrees	6/12	
4.2		Height, mast lowered	in (mm)	88.6 (2250)		
4.3		Free lift	in (mm)	6.1 (155)		
4.4		Lift	in (mm)	118.1 (3000)		
4.5		Height, mast extended	in (mm)	167.7 (4260)		
4.7		Height of overhead guard/cabin	in (mm)	88.6/94.5 (2250/2400)		
4.8		Seat height/stand height	in (mm)	53.1 (1350)		
4.12		Towing coupling height	in (mm)	13.4 (340)		
4.19		Overall length	in (mm)	171.1 (4345)		
4.20		Length to face of forks	in (mm)	128.9 (3275)		
4.21		Overall width, std/dual	in (mm)	58.7/75.7 (1490/1924)		
4.22		Fork dimensions ISO2331	in (mm)	2x5.9x42.1 (50x150x1070)		
4.23		Fork carriage ISO 2328. Class/type, A/B		ISO 3A		
4.24		Fork carriage width	in (mm)	54.3 (1380)		
4.31		Ground clearance, laden, below mast	in (mm)	5.1 (130)		
4.32		Ground clearance, center of wheelbase	in (mm)	7.3 (186)		
4.34.1		Aisle width with pallets 40" x 48"	in (mm)	192.3 (4885)		
4.35	Turning radius	in (mm)	114.4 (2905)			
4.36	Internal turning radius	in (mm)	33.3 (845)			
PERFORMANCE	5.1	Travel speed, RL/NL	1-speed	mph (km/h)	9.3/9.9 (15/16)	11.2/11.8 (18/19)
			2-speed	mph (km/h)	13.7/14.9 (22/24)	15.5/17.3 (25/28) 16.1/17.4 (26/28)
	5.1.1	Travel speed, RL/NL, reverse	1-speed	mph (km/h)	10.6/11.8 (17/19)	13/13.7 (21/22)
	5.2	Lifting speed, RL/NL		fpm (mm/s)	104.3/110.2 (530/560)	
	5.3	Lowering speed RL/NL		fpm (mm/s)	98.4/88.6 (500/450)	
	5.6	Max. drawbar RL/NL		lbf (N)	7193.9/6069.8 (32000/27000)	7081.5/6744.3 (31500/30000) 7418.7/7193.9 (33000/32000)
	5.7	Gradeability, RL/NL @ 3mph (4.8 km/h)		%	20/25	21/25 20/25
5.10	Service brake			Hydraulic		
ENGINE	7.1	Engine manufacturer/type		Kubota 3.8L	Kubota 3.8L	Kubota 3.8L
	7.2	Engine power according to DIN ISO 1585		hp (Kw)	73.2 (54.6)	67.8 (50.6) 79.4 (59.2)
	7.3	Rated speed		min-1	2200	2400
	7.4	Number of cylinders/displacement		-/cm3	4/3769	
OTHER	10.1	Operating pressure for attachments		PSI (bar)	2828.2 (195)	
	10.2	Oil volume for attachments		gal/min (l/min)	18.5 (70)	
	10.4	Fuel tank capacity (gas & diesel only)		gal (L)	26.4 (100)	N/A
	10.7	Sound pressure level at the driver's seat		dB (A)	81.5	88
	10.8	Towing coupling, type DIN			PIN	

MAST AND CAPACITY INFORMATION

MAST TYPE	MAX FORK HEIGHT		MAST TILT		LOWERED HEIGHT				OVERALL EXTENDED HEIGHT											
									WITHOUT LOAD BACKREST				WITH LOAD BACKREST				FREE LIFT			
			FWD	BACK	8,000-9,000 LB		10,000 LB		8,000-9,000 LB		10,000 LB		8,000-9,000 LB		10,000 LB		8,000-9,000 LB		10,000 LB	
	in	mm	degrees	degrees	in	mm	in	mm	in	mm	in	mm	in	mm	in	mm	in	mm	in	mm
2-STAGE LFL	118.1	3000	6	12	88.6	2250	88.6	2250	151.6	3850	151.6	3850	167.7	4260	167.7	4260	5.9	150	6.1	155
	129.9	3300	6	12	94.5	2400	94.5	2400	163.4	4150	163.4	4150	179.5	4560	179.5	4560	5.9	150	6.1	155
	137.8	3500	6	12	98.4	2500	98.4	2500	171.3	4350	171.3	4350	187.4	4760	187.4	4760	5.9	150	6.1	155
	145.7	3700	6	12	102.4	2600	102.4	2600	181.1	4600	181.1	4600	197.2	5010	197.2	5010	5.9	150	6.1	155
	157.5	4000	6	12	110.2	2800	110.2	2800	190.9	4850	190.9	4850	207.1	5260	207.1	5260	5.9	150	6.1	155
	177.2	4500	6	6	120.1	3050	120.1	3050	210.6	5350	210.6	5350	226.8	5760	226.8	5760	5.9	150	6.1	155
	196.9	5000	6	6	129.9	3300	129.9	3300	230.3	5850	230.3	5850	246.5	6260	246.5	6260	5.9	150	6.1	155
	216.5	5500	3	6	141.7	3600	141.7	3600	250.0	6350	250.0	6350	266.1	6760	266.1	6760	5.9	150	6.1	155
	236.2	6000	3	6	151.6	3850	151.6	3850	269.7	6850	269.7	6850	285.8	7260	285.8	7260	5.9	150	6.1	155
2-STAGE FFL	118.1	3000	6	12	88.6	2250	88.6	2250	149.6	3800	149.6	3800	165.7	4210	165.7	4210	56.1	1425	56.1	1425
	129.9	3300	6	12	94.5	2400	94.5	2400	161.4	4100	161.4	4100	177.6	4510	177.6	4510	62.0	1575	62.0	1575
	137.8	3500	6	12	98.4	2500	98.4	2500	169.3	4300	169.3	4300	185.4	4710	185.4	4710	65.9	1675	65.9	1675
	147.6	3750	6	12	103.3	2625	103.3	2625	179.1	4550	179.1	4550	195.3	4960	195.3	4960	70.9	1800	70.9	1800
	157.5	4000	6	12	110.2	2800	110.2	2800	189.0	4800	189.0	4800	205.1	5210	205.1	5210	77.8	1975	77.8	1975
3-STAGE FFL	157.5	4000	6	6	83.1	2110	83.1	2110	191.3	4860	191.3	4860	207.1	5260	207.1	5260	50.0	1270	50.0	1270
	171.3	4350	6	6	88.0	2235	88.0	2235	205.1	5210	205.1	5210	220.9	5610	220.9	5610	54.9	1395	54.9	1395
	177.2	4500	6	6	90.0	2285	90.0	2285	211.0	5360	211.0	5360	226.8	5760	226.8	5760	56.9	1445	56.9	1445
	189.0	4800	6	6	93.9	2385	93.9	2385	222.8	5660	222.8	5660	238.6	6060	238.6	6060	60.8	1545	60.8	1545
	196.9	5000	6	6	97.8	2485	97.8	2485	230.7	5860	230.7	5860	246.5	6260	246.5	6260	64.8	1645	64.8	1645
	212.6	5400	3	6	102.8	2610	102.8	2610	246.5	6260	246.5	6260	262.2	6660	262.2	6660	69.7	1770	69.7	1770
	236.2	6000	3	6	112.2	2850	112.2	2850	270.1	6860	270.1	6860	285.8	7260	285.8	7260	79.1	2010	79.1	2010
	255.9	6500	3	6	120.1	3050	120.1	3050	289.8	7360	289.8	7360	305.5	7760	305.5	7760	87.0	2210	87.0	2210

Capacities are with standard carriage.


FEATURES AND OPTIONS

POWERTRAIN	STD	OPT
Kubota 3.8l EPA certified DOC diesel	x	
Kubota 3.8l EPA certified LPG		x
Kubota 3.8l EPA certified dual fuel		x
Powershift transmission 2-speed fwd / 1-speed rev	x	
Drum brakes	x	
Key switch start	x	
Standard environmental construction (14F to 104F)	x	
Cold environmental construction (-4F to 104F)		x
High air intake	x	
High air intake w/ pre-cleaner		x
Non-locking fuel cap	x	
Locking fuel cap		x
Counterweight rear exhaust	x	
Overhead exhaust		x
Spark arrester		x
LPG tank bracket with dual straps		x
Operator presence system	x	
Battery disconnect		x
LIFT OPTIONS - FRONT END EQUIPMENT	STD	OPT
2-stage limited free lift mast	x	
2-stage full free lift mast		x
3-stage full free lift mast		x
54" Hook type carriage	x	
63" Hook type carriage		x
67" Hook type carriage		x
71" Hook type carriage		x
54" LDSJ ISS		x
54" LDSJ HOSS		x
54" Cascade HOSS		x
49" Cascade HOSSFP		x
56" LDSJ HOSSFP		x
Hook type standard taper forks	x	
47" Load backrest	x	
6° Fwd / 12° back mast tilt	x	
6° Fwd / 10° back mast tilt		x
6° Fwd / 6° back mast tilt		x
3° Fwd / 6° back mast tilt		x
Tilt cylinder boots		x

LIFT OPTIONS - HYDRAULICS	STD	OPT
Manual hydraulic levers	x	
2 Function (0 auxiliary) hydraulics	x	
3 Function (1 auxiliary) hydraulics		x
4 Function (2 auxiliary) hydraulics		x
Clamping		x
Auxiliary function hose groups		x
CHASSIS - WHEELS & TIRES	STD	OPT
Dual tread		x
Pneumatic shape solid (PSS) tires	x	
Pneumatic tires		x
CHASSIS - OPERATOR COMPARTMENT	STD	OPT
96.5" Overhead guard	x	
PVC top screen		x
Front screen w/ wiper		x
Full steel cab w/ front and rear wipers		x
Front, top, and rear screens w/ front and rear wipers		x
Front and top screens with front washer/wiper		x
Air conditioning		x
Cab heater		x
Lever directional control	x	
MONOTROL® / FDC directional control		x
Steering wheel w/ spinner knob	x	
Non-suspension vinyl seat	x	
Full-suspension vinyl seat		x
Black seat belt	x	
Seat belt w/ interlock		x
Seat belt w/ sequential interlock		x
CHASSIS - OPERATOR COMPARTMENT ACCESSORIES		
Rear grab handle w/ horn button		x
Dual side view mirrors		x
LIGHTS & ALARMS		
LED work lights		x
Rear lights package w/ turn signals		x
Strobe light		x
Audible reverse alarm		x
Park brake alarm	x	
Blue spot light		x



Hyster Company
P.O. Box 7006, Greenville, North Carolina 27835-7006

© 2025 Hyster-Yale Materials Handling, Inc., all rights reserved. Hyster and  are trademarks of Hyster-Yale Materials Handling, Inc. Hyster products are subject to change without notice. Trucks may be shown with optional equipment.