

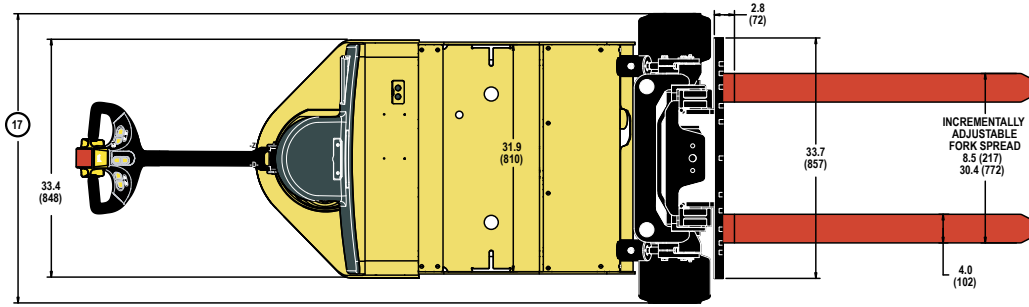


W25-40ZC

WALKIE COUNTERBALANCE STACKER PRODUCT TECHNICAL GUIDE



W25-40ZC DIMENSIONS



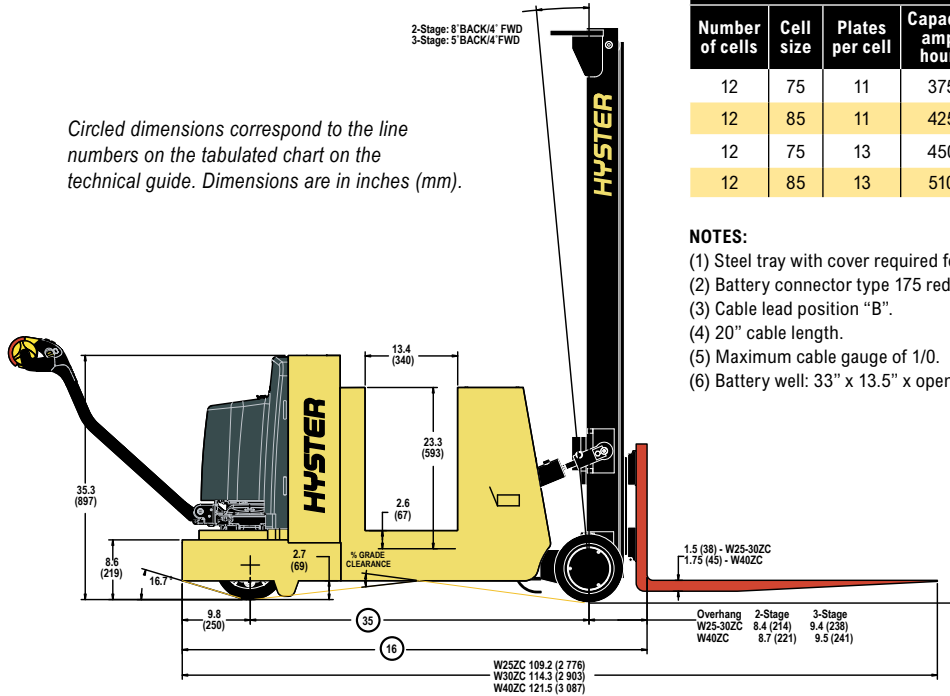
W25-40ZC BATTERY AND COMPARTMENT SPECIFICATIONS

Number of cells	Cell size	Plates per cell	Capacity amp-hours	KWH	"X" dimension	"Y" dimension	"Z" dimension	Weight
12	75	11	375	8.7	26.5	13.0	23.3	825 lb
12	85	11	425	9.9	26.1	12.8	23.3	865 lb
12	75	13	450	10.5	30.9	13.0	23.3	987 lb
12	85	13	510	11.9	30.9	13.0	23.3	1035 lb

NOTES:

- (1) Steel tray with cover required for all batteries.
- (2) Battery connector type 175 red (gray is optional).
- (3) Cable lead position "B".
- (4) 20" cable length.
- (5) Maximum cable gauge of 1/0.
- (6) Battery well: 33" x 13.5" x open

Circled dimensions correspond to the line numbers on the tabulated chart on the technical guide. Dimensions are in inches (mm).



W25-30ZC MAST DIMENSIONS

Maximum fork height (TOF)	Overall lowered height	Overall extended height		Free-lift (TOF)	Mast weight
		w/load backrest	w/o load backrest		
in (mm)	in (mm)	in (mm)	in (mm)	in (mm)	lb (kg)
2-STAGE LIMITED FREE-LIFT (LFL) VISTA® MAST					
104.0 (2,642)	72.0 (1,829)	152.0 (3,785)	123.5 (3,140)	6.0 (152)	850 (386)
114.0 (2,896)	77.0 (1,956)	162.0 (4,039)	133.5 (3,391)	6.0 (152)	900 (408)
126.0 (3,200)	83.0 (2,108)	174.0 (4,343)	145.5 (3,696)	6.0 (152)	950 (431)
144.0 (3,658)	92.0 (2,337)	192.0 (4,801)	163.5 (4,153)	6.0 (152)	1,050 (476)
152.0 (3,861)	96.0 (2,438)	200.0 (5,080)	171.5 (4,356)	6.0 (152)	1,100 (499)
3-STAGE FULL FREE-LIFT (LFL) VISTA® MAST					
157.0 (3,988)	72.0 (1,829)	205.0 (5,207)	176.5 (4,483)	50.0 (1,270)	1,150 (522)
172.0 (4,369)	77.0 (1,956)	220.0 (5,588)	191.5 (4,864)	55.0 (1,397)	1,200 (544)
190.0 (4,826)	83.0 (2,108)	238.0 (6,045)	209.5 (5,321)	61.0 (1,549)	1,250 (567)
217.0 (5,512)	92.0 (2,337)	265.0 (6,731)	236.5 (6,007)	70.0 (1,798)	1,350 (612)
229.0 (5,817)	96.0 (2,438)	277.0 (7,036)	248.5 (6,312)	74.0 (1,900)	1,400 (635)

W40ZC MAST DIMENSIONS

Maximum fork height (TOF)	Overall lowered height	Overall extended height		Free-lift (TOF)	Mast weight
		w/load backrest	w/o load backrest		
in (mm)	in (mm)	in (mm)	in (mm)	in (mm)	lb (kg)
2-STAGE LIMITED FREE-LIFT (LFL) VISTA® MAST					
100.0 (2,540)	72.0 (1,829)	148.0 (3,759)	119.5 (3,035)	6.0 (152)	850 (386)
110.0 (2,794)	77.0 (1,956)	158.0 (4,013)	129.5 (3,289)	6.0 (152)	900 (408)
122.0 (3,099)	83.0 (2,108)	170.0 (4,318)	141.5 (3,594)	6.0 (152)	950 (431)
140.0 (3,556)	92.0 (2,337)	188.0 (4,775)	159.5 (4,051)	6.0 (152)	1,050 (476)
148.0 (3,759)	96.0 (2,438)	196.0 (4,978)	167.5 (4,255)	6.0 (152)	1,100 (499)
3-STAGE FULL FREE-LIFT (LFL) VISTA® MAST					
153.0 (3,886)	72.0 (1,829)	201.0 (5,105)	172.5 (4,382)	47.0 (1,194)	1,150 (522)
168.0 (4,267)	77.0 (1,956)	216.0 (5,486)	187.5 (4,763)	52.0 (1,321)	1,200 (544)
186.0 (4,724)	83.0 (2,108)	234.0 (5,944)	205.5 (5,220)	58.0 (1,473)	1,250 (567)
213.0 (5,410)	92.0 (2,337)	261.0 (6,629)	232.5 (5,906)	67.0 (1,702)	1,350 (612)
225.0 (5,715)	96.0 (2,438)	273.0 (6,934)	244.5 (6,210)	71.0 (1,803)	1,400 (635)

† Lift heights over 157.0" (3,988 mm) maximum fork height require reduced capacity or restricted back tilt.

* If load backrest extension is used on 3-stage FFL, add 28.5" (724 mm).

† Lift heights over 153.0" (3,886 mm) maximum fork height require reduced capacity or restricted back tilt.

* If load backrest extension is used on 3-stage FFL, add 28.5" (724 mm).

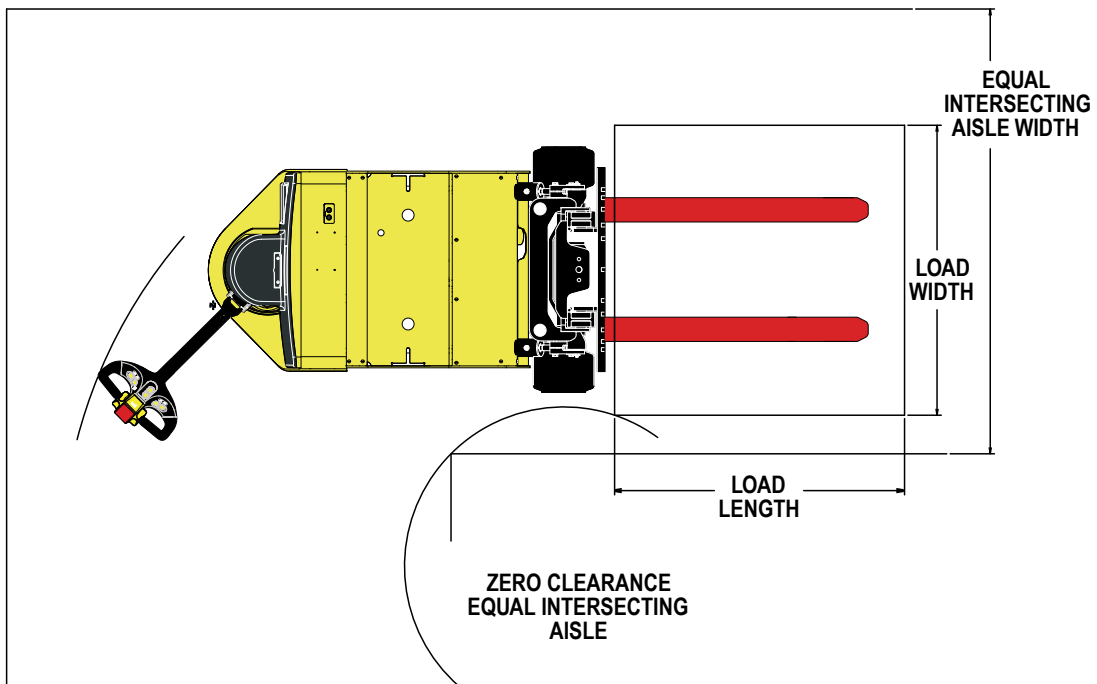
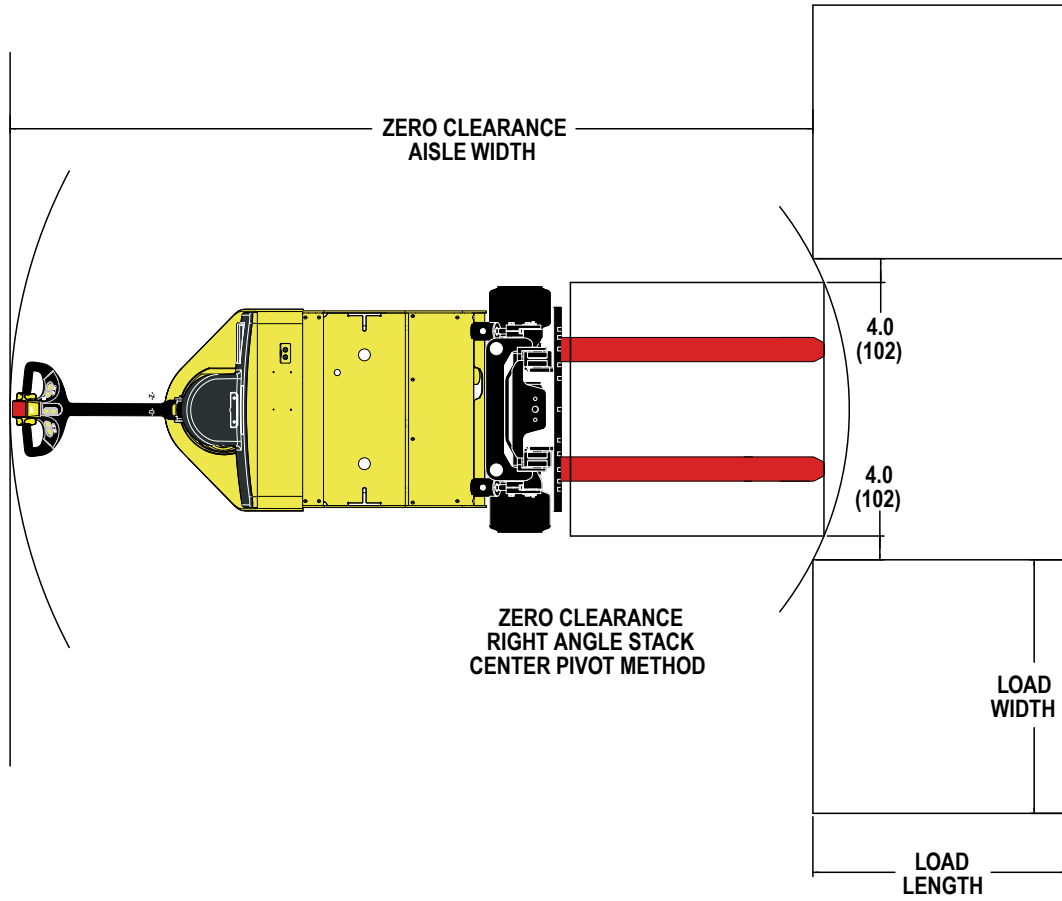
W25-40ZC SPECIFICATIONS

GENERAL	1	Manufacturer		Hyster Company	Hyster Company	Hyster Company
	2	Model		W25ZC	W30ZC	W40ZC
	3	Capacity, rated		2,500 (1,130)	3,000 (1,360)	4,000 (1,820)
	4	Load center		24 (610)	24 (610)	24 (610)
	5	Power type		24V - Electric	24V - Electric	24V - Electric
	6	Operator type		Pedestrian	Pedestrian	Pedestrian
	7	Tire type, cushion, solid, pneumatic, etc.		Cushion	Cushion	Cushion
	8	Wheels, drive / load		1 / 2	1 / 2	1 / 2
DIMENSIONS	10	2-stg. limited free lift (LFL) (TOF)	in (mm)	126.0 (3,200)	126.0 (3,200)	122.0 (3,099)
	11	Standard free-lift (TOF)	in (mm)	6.0 (152)	6.0 (152)	6.0 (152)
	12	Maximum carriage width	in (mm)	33.7 (857)	33.7 (857)	33.7 (857)
	13	Forks, width / thickness / length	in (mm)	4.0 (100) / 1.5 (40) / 42.0 (1,067)	4.0 (100) / 1.5 (40) / 42.0 (1,067)	4.0 (100) / 1.75 (44) / 42.0 (1,067)
	14	Fork spread (outside dimensions)	in (mm)	30.4 (773)	30.4 (773)	30.4 (773)
	15	Tilt of mast - backward / forward	degrees	5 / 4	5 / 4	5 / 4
	16	Length to face of forks	in (mm)	67.3 (1,709)	72.3 (1,836)	79.5 (2,020)
	17	Overall width (standard tires)	in (mm)	38.3 (973)	38.3 (973)	38.3 (973)
	18	Lowered overall height (LOH)	in (mm)	83.0 (2,108)	83.0 (2,108)	83.0 (2,108)
	19	Maximum fork height (MFH)	in (mm)	126.0 (3,200)	126.0 (3,200)	122 (3,099)
	21	Turning radius, minimum outside	in (mm)	58.7 (1,492)	63.7 (1,619)	80.0 (1,803)
	22	Overhang, C/L of load wheel to face of forks	in (mm)	8.4 (214)	8.4 (214)	8.7 (221)
	23	90° stack aisle	in (mm)	See chart	See chart	See chart
	24	Equal intersecting aisle	in (mm)	See chart	See chart	See chart
	24	Stability (comply with ANSI?) *		Yes	Yes	Yes
	PERFORMANCE	25	Travel speed, no load	mph (km/h)	3.5 (5.6)	3.4 (5.5)
25		Travel speed, rated load	mph (km/h)	3.4 (5.5)	3.3 (5.3)	2.7 (4.3)
26		Lift speed, std. no load	ft/min (m/s)	36.0 (0.18)	36.0 (0.18)	36.0 (0.18)
26		Lift speed, std. rated load	ft/min (m/s)	28.0 (0.14)	26.0 (0.13)	22.0 (0.11)
27		Lowering speed, std. no load	ft/min (m/s)	60.0 (0.30)	60.0 (0.30)	60.0 (0.30)
27		Lowering speed, std. rated load	ft/min (m/s)	70.0 (0.35)	74.0 (0.37)	78.0 (.38)
WT.	29	Gradeability	%	10.00	10.00	10.00
WHEELS & TIRES	31	Total approximate weight without battery	lb (kg)	4,194 (1,906)	4,917 (2,235)	5,496 (2,493)
	32	Axle load, no load drive	lb (kg)	2,239 (1,063)	2,811 (1,278)	3,123 (1,420)
	32	Axle load, load with minimum battery	lb (kg)	2,455 (1,111)	2,706 (1,230)	2,973 (1,351)
	33	Size of tire, drive	in (mm)	10.0 x 5.0 / (254 x 127) Poly	10.0 x 5.0 / (254 x 127) Poly	10.0 x 5.0 / (254 x 127) Poly
	34	Size of tire, load	in (mm)	10.0 x 6.0 / (254 x 152) Poly	10.0 x 6.0 / (254 x 152) Poly	10.0 x 7.0 / (254 x 178) Poly
	35	Wheelbase	in (mm)	49.0 (1,245)	54.0 (1,372)	61.0 (1,549)
	37	Ground clearance, no load lowest point	in (mm)	0.6 (15)	0.6 (15)	0.6 (15)
	38	Ground clearance, no load center wheelbase	in (mm)	2.8 (69)	2.8 (69)	2.8 (69)
BATT.	41	Battery, type		Lead acid	Lead acid	Lead acid
	42	Battery, volts / ampere hours	V/ah	24 / 510	24 / 510	24 / 510
	43	Battery, minimum weight	lb (kg)	600 (273)	600 (273)	600 (273)
MOTOR	44	Traction motor, 60 min. rating	hp (kw)	2.3 (1.7)	2.3 (1.7)	2.3 (1.7)
	44	Pump motor, 15 min. rating	hp (kw)	4.0 (3.0)	4.0 (3.0)	4.0 (3.0)
	45	Traction motor control method		Transistor	Transistor	Transistor
	46	Number of speeds		Infinitely variable	Infinitely variable	Infinitely variable
	47	Relief pressure for attachments	psi (kPA)	2,900 (19,995)	2,900 (19,995)	2,900 (19,995)
	49	Grade clearance 13.4" compartment	%	22.7	20.9	18.8

CERTIFICATION: These Hyster lift trucks meet design specifications of Part II ANSI B56.1-1969, as required by OSHA Section 1910.178(a)(2) and also comply with Part III ANSI B56.1-revision in effect at time of manufacture. Certification of compliance with the applicable ANSI standards appears on the lift truck.

† **NOTE:** Performance specifications are for truck equipped as described under standard equipment in this technical guide. Performance specifications are affected by the condition of the vehicle and how it is equipped, as well as by the nature and condition of the operating area. Specifications are subject to change and the proposed application should be discussed with your authorized Hyster Company Dealer.

W25-40ZC DIMENSIONS



Zero Clearance/Right Angle Aisle Stacking/Intersecting Equal Aisle Stacking

To determine the correct dimension, take the larger sum of either the load or pallet dimensions for length and width. Add the dimension for optional configuration and the 6.0" to 12.0" operating clearance. All values are based on 4.0" spacing between loads. Please contact your local Hyster dealer for additional information on load spacing.

Right angle stack

W25-40ZC Walkie Counterbalanced Stacker Truck

(Equipped with 2-stage VISTA mast and 13.5" battery compartment)

		W25ZC			
		Load length (inches)			
Load width (inches)		36	40	42	48
	36	125	130	132	138
	40	125	130	132	138
	42	125	130	132	138
	48	125	130	132	138

		W30ZC			
		Load length (inches)			
Load width (inches)		36	40	42	48
	36	130	134	137	143
	40	130	134	137	143
	42	130	134	137	143
	48	130	134	137	143

		W40ZC			
		Load length (inches)			
Load width (inches)		36	40	42	48
	36	137	142	144	150
	40	137	142	144	150
	42	137	142	144	150
	48	137	142	144	150

Intersecting Equal Aisle

W25-40ZC Walkie Counterbalanced Stacker Truck

(Equipped with 2-stage VISTA mast)

		W25ZC			
		Load length (inches)			
Load width (inches)		36	40	42	48
	36	61	63	65	68
	40	61	63	65	68
	42	62	64	66	69
	48	67	69	70	74

		W30ZC			
		Load length (inches)			
Load width (inches)		36	40	42	48
	36	62	64	65	69
	40	62	64	65	69
	42	63	65	66	70
	48	68	70	71	74

		W40ZC			
		Load length (inches)			
Load width (inches)		36	40	42	48
	36	75	77	78	81
	40	75	77	78	81
	42	76	77	78	81
	48	78	80	81	86



W25-40ZC FEATURES AND OPTIONS


PERFORMANCE	STD	OPT
24-volt	X	
SEM traction control technology	X	
Energy efficient MOSFET traction/hoist controller	X	
Transistor hydraulics	X	
Auto deceleration system	X	
3 user programmable performance modes	X	
Creep speed control		X
DRIVE	STD	OPT
Drive tire		
- 10" x 5" press-on polyurethane	X	
- 10" x 5" siped polyurethane		X
Load wheels		
- 10" x 6" polyurethane (W25-30ZC)	X	
- 10" x 7" polyurethane (W40ZC)	X	
LIFT	STD	OPT
Mast (W25-30ZC)		
- 104" MLH / 72" O LH 2-stage		X
- 114" MLH / 77" O LH 2-stage		X
- 126" MLH / 83" O LH 2-stage	X	
- 144" MLH / 92" O LH 2-stage		X
- 152" MLH / 96" O LH 2-stage		X
- 157" MLH / 72" O LH 3-stage		X
- 172" MLH / 77" O LH 3-stage		X
- 190" MLH / 83" O LH 3-stage		X
- 217" MLH / 92" O LH 3-stage		X
- 229" MLH / 96" O LH 3-stage		X
Mast (W40ZC)		
- 100" MLH / 72" O LH 2-stage		X
- 110" MLH / 77" O LH 2-stage		X
- 122" MLH / 83" O LH 2-stage	X	
- 140" MLH / 92" O LH 2-stage		X
- 148" MLH / 96" O LH 2-stage		X
- 153" MLH / 72" O LH 3-stage		X
- 168" MLH / 77" O LH 3-stage		X
- 186" MLH / 83" O LH 3-stage		X
- 213" MLH / 92" O LH 3-stage		X
- 225" MLH / 96" O LH 3-stage		X
Proportional lift/lowering	X	

W25-40ZC FEATURES AND OPTIONS

HANDLING	STD	OPT
33.75" carriage	X	
34" hook type integral sideshift carriage		X
48" high load backrest extension	X	
Without load backrest		X
Forks (W25-30ZC)		
- 36" x 1.5" x 4.0" hook type - standard taper forks		X
- 42" x 1.5" x 4.0" hook type - standard taper forks	X	
- 48" x 1.5" x 4.0" hook type - standard taper forks		X
Forks (W40ZC)		
- 36" x 1.75" x 4.0" hook type - standard taper forks		X
- 42" x 1.75" x 4.0" hook type - standard taper forks	X	
- 48" x 1.75" x 4.0" hook type - standard taper forks		X
Without forks		X
ERGONOMICS	STD	OPT
Ergonomically designed composite control handle	X	
Ergonomically designed cast aluminum control handle		X
OPERATION	STD	OPT
Key switch start	X	
Keyless toggle start with auxiliary key switch		X
Battery connector		
- 175 amp red	X	
- 175 amp grey		X
Multifunction display		
- Battery discharge indicator		
- Hour meter		X
- Fault light		
- Lift interrupt		
Electric horn	X	
Electro-magnetic park brake	X	
Traction reversing switch	X	
CONSTRUCTION	STD	OPT
UL Classification Type "E"	X	
Application/environmental construction		
- Standard environmental construction +32°F	X	
- Cold storage/freezer package to -15°F		X
13.4" x 31.8" battery compartment	X	
Lift out battery removal	X	
Side battery extraction (W40ZA)		X
ENERGY SYSTEM	STD	OPT
Set for flooded cell	X	
Set for maintenance free		X
SUPPLEMENTAL	STD	OPT
12 months / no limit full truck warranty	X	
36 months / 6,000 hours powertrain warranty	X	
60 months / 10,000 hour frame warranty	X	
3 year 6,000 hour part A comprehensive parts and labor no deduct		X
5 year 10,000 hour part A comprehensive parts and labor no deduct		X
5 year 10,000 hour part B powertrain parts and labor no deduct		X
HY-Shield - part A extension to 3 yrs / 6,000 hrs - part B extension to 5 yrs / 10,000 hrs		X
Parts manual - CD or printed		X



Hyster Company
P.O. Box 7006, Greenville, North Carolina 27835-7006

© Hyster Company. 2023, all rights reserved. Hyster and  are trademarks of Hyster-Yale Group, Inc.

Hyster products are subject to change without notice.
Trucks may be shown with optional equipment.