

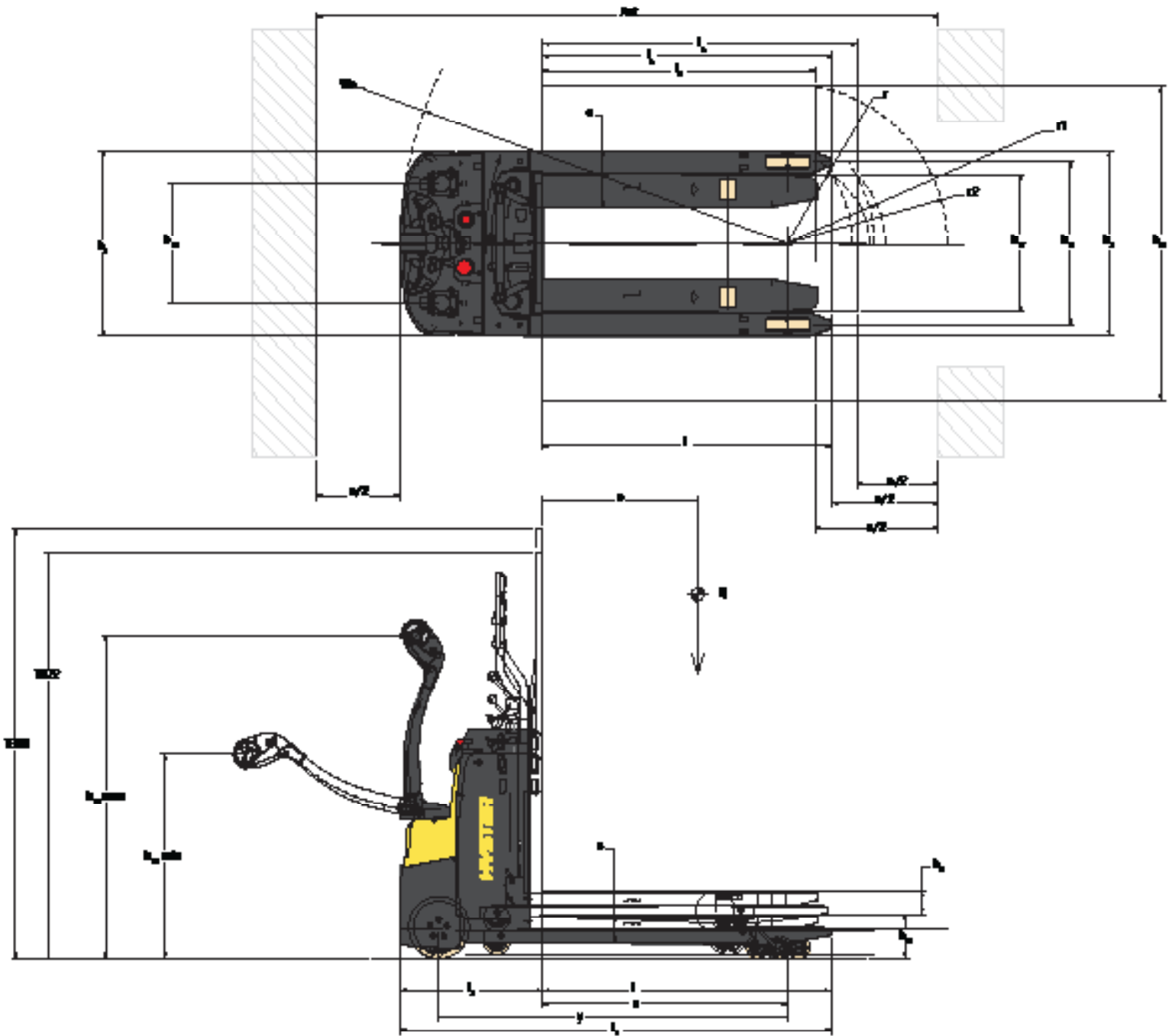
ROUTE RUNNER DW33ALZ DS12ALZ SERIES



**MODIFIED PALLET TRUCK
WITH MOTORIZED SLED**
Product Technical Guide



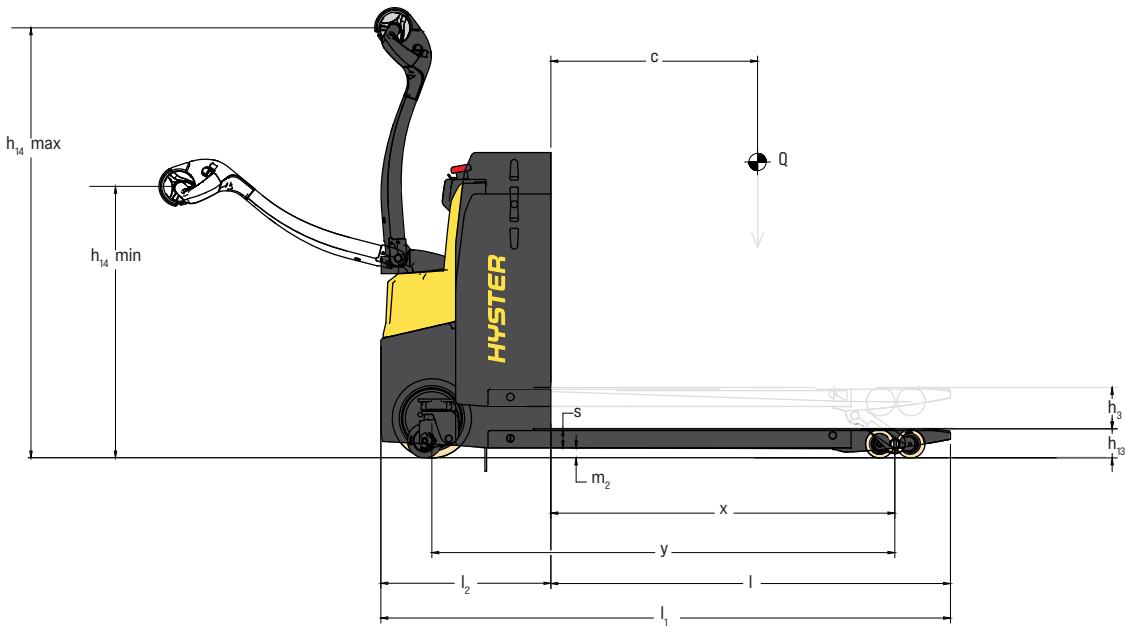
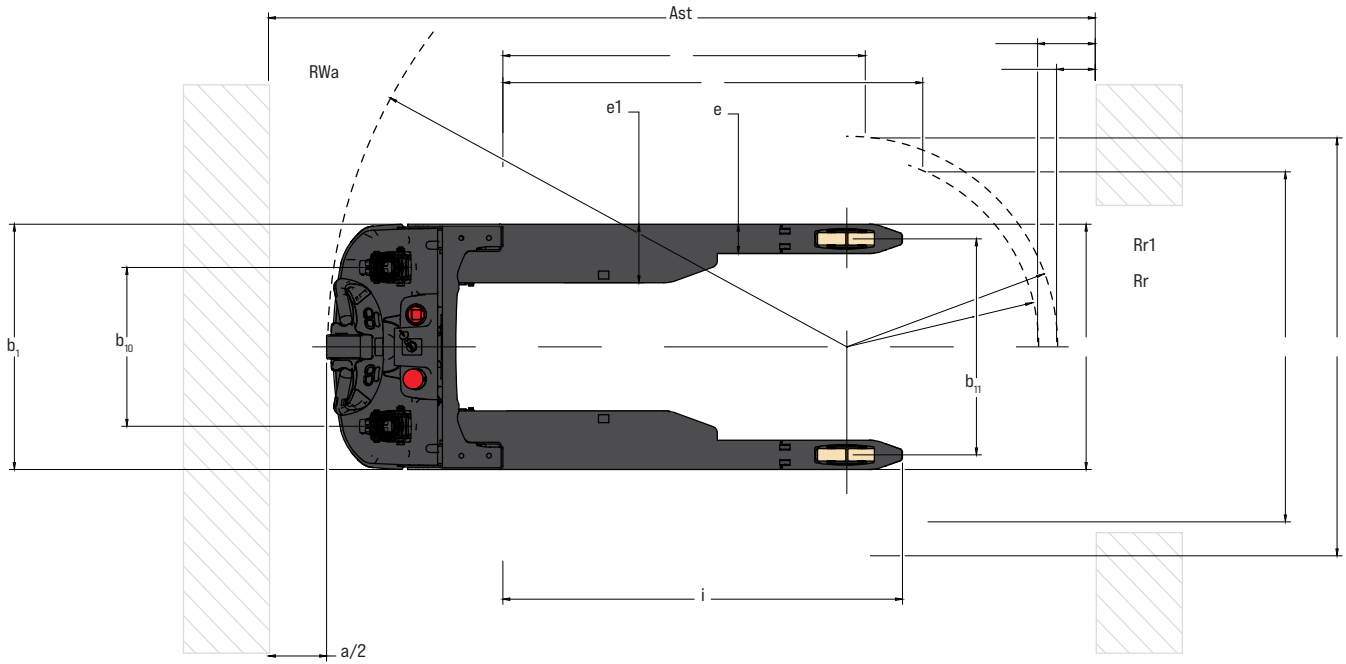
GENERAL SPECIFICATIONS AND DIMENSIONS - NESTED PALLET TRUCK AND MOTORIZED SLED



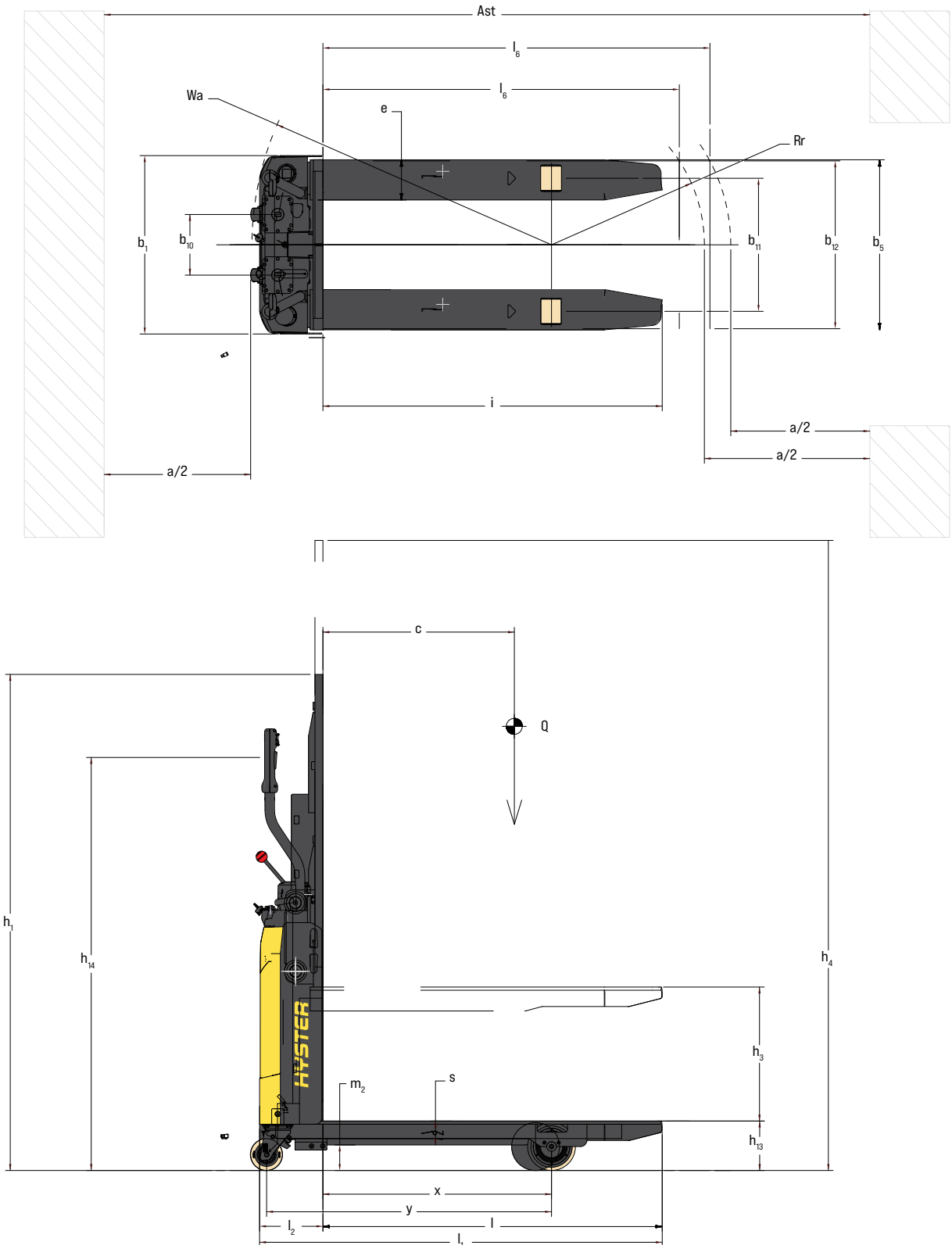
WEIGHT				lb (kg)	
	2-1	Service weight ¹			948 (432)
DIMENSIONS	4-2	Height, backrest lowered	h_1	in (mm)	61.8 (1570)
	4-5	Height, backrest extended	h_4	in (mm)	78.3 (1990)
	4-19	Overall length	l_1	in (mm)	65.1 (1653.5)
	4-21	Overall width	b_1	in (mm)	22 (559)

1. These values may vary of +/- 5%.

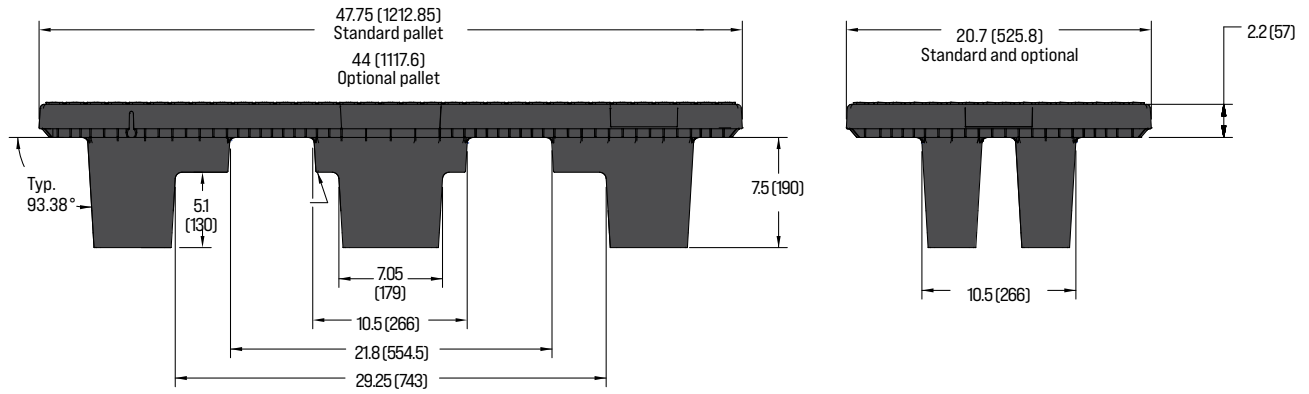
PALLET TRUCK DIMENSIONS - DW33ALZ



MOTORIZED SLED DIMENSIONS - DS12ALZ

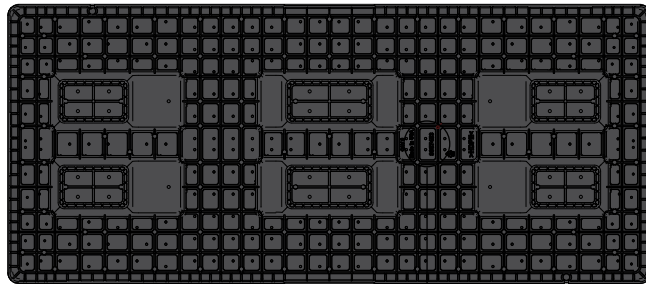


PALLET DIMENSIONS



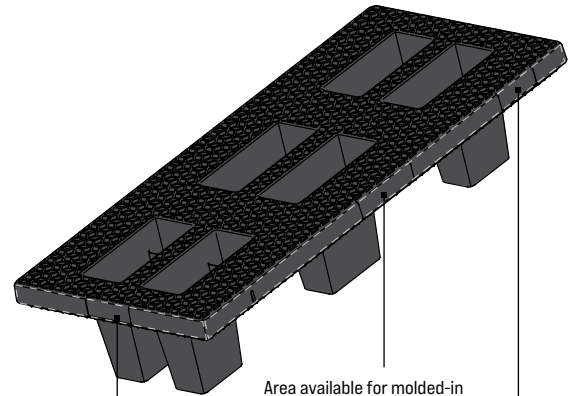
Dimensions are shown in inches (millimeters)

TOP VIEW



Material: HDPE
Color: Black

Location for:
Recycle logo / Molding date
Part number / Material / Cavity#



Area available for molded-in or hot-stamped graphics on both sides within dotted lines.

Area available for RFID tag or custom label on both sides within dotted lines.



GENERAL SPECIFICATIONS - DW33ALZ PALLET TRUCK

GENERAL	1-1		Manufacturer	Hyster
	1-2		Model designation	DW33ALZ
GENERAL	1-3		Drive: electric (battery type, mains, ...)	Li Battery
	1-4		Operator type: hand, pedestrian	Pedestrian
GENERAL	1-5		Rated capacity/rated load	Q (t) lb (kg)
	1-6		Load center distance	c in (mm)
	1-8		Load distance, center of drive axle to fork ²	x in (mm)
	1-9		Wheelbase	y in (mm)
WEIGHT	2-1		Service weight ¹	lb (kg)
	2-2		Axle loading, laden front/rear	lb (kg)
	2-3		Axle loading, unladen front/rear	lb (kg)
TIRES	3-1		Tires: polyurethane, tophane, NDIIThane, front/rear	Topyhane
	3-2		Tire size, front	in (mm)
	3-3		Tire size, rear	in (mm)
	3-4		Additional wheels (dimensions)	in (mm)
	3-5		Wheels, number front/rear (x = driven wheels)	1x + 2 / 4
	3-6		Tread, front	b ₁₀ in (mm)
	3-7		Tread, rear	b ₁₁ in (mm)
DIMENSIONS	4-4		Lift	h ₃ in (mm)
	4-9		Height handle in driving position min./max.	h ₁₄ in (mm)
	4-15		Height, lowered	h ₁₃ in (mm)
	4-19		Overall length ⁵	l ₁ in (mm)
	4-20		Length to face of forks	l ₂ in (mm)
	4-21		Overall width	b ₁ in (mm)
	4-22		Fork dimensions	s / e / e ₁ / l in (mm)
	4-25		Forks spread	b ₅ in (mm)
	4-32		Ground clearance, center of wheelbase	m ₂ in (mm)
	4-33		Load dimension b ₂ × l ₆	b ₂ × l ₆ in (mm)
	4-34-1		Aisle width for two pallets 48in. x 21in. crossways (beverage) ³	A _{st} in (mm)
4-34-1		Aisle width for GMA pallet 48in. x 21in. lengthwise (GMA) ³	A _{st} in (mm)	
4-35		Turning radius ²	W _a in (mm)	
PERFORMANCE	5-1		Travel speed, laden/unladen	m/h (km/h)
	5-1-1		Travel speed, laden/unladen, backwards	m/h (km/h)
	5-2		Lift speed, laden/unladen	m/s
	5-3		Lowering speed, laden/unladen	m/s
	5-7		Gradeability, laden/unladen	%
	5-8		Max. gradeability, laden/unladen ⁴	%
	5-10		Service brake	Electro Magnetic
ELECTRIC	6-1		Drive motor S2 60 minute rating	kW
	6-2		Lift motor, S3 15% rating	kW
	6-3		Battery according to DIN 43531/35/36 A,B,C, no	no
	6-4		Battery voltage/nominal capacity K ₅	V / Ah
	6-5		Battery weight ¹	lb (kg)
	6-6		Energy consumption according to DIN EN 16796	kWh/h
	6-7		Turnover output according to VDI 2198	t/h
	6-8		Turnover efficiency according to VDI 2198	t/kWh
DRIVE/LIFT MECHANISM	8-1		Type of drive unit	AC-Controller
ADDITIONAL	10-7		Sound pressure level at operating position	dB (A)

1. These values may vary of +/- 5%.
2. Values with lowered forks (-70mm raised forks).
3. Forks raised -- Ast = Wa + R + a -- Wa and R with forks raised.
4. Values in bracket are Optional.
5. Value does not change with the sled nested. Height max with cradle or SLED: 65.35 in.

All values are nominal values and they are subject to tolerances.
For further information, please contact the manufacturer.
Hyster products might be subject to change without notice.
Lift trucks illustrated may feature optional equipment.
Values may vary with alternative configurations.

GENERAL SPECIFICATIONS - DS12ALZ SLED

GENERAL	1-1	Manufacturer			Hyster	
	1-2	Model designation			DS12ALZ	
	1-3	Drive: electric (battery type, mains, ...)			Li Battery	
	1-4	Operator type: hand, pedestrian			Pedestrian	
	1-5	Rated capacity/rated load	Q (t)	lb (kg)	1200 (544)	
	1-6	Load center distance	c	in (mm)	24 (600)	
	1-8	Load distance, center of drive axle to fork	x	in (mm)	28.2 (716.5)	
	1-9	Wheelbase	y	in (mm)	35.2 (893)	
	WEIGHT	2-1	Service weight ¹		lb (kg)	396.8 (180)
2-2		Axle loading, laden front/rear		lb (kg)	1212.5-429.9 (550-195)	
2-3		Axle loading, unladen front/rear		lb (kg)	121.3-275.6 (55-125)	
TIRES	3-1	Tires: polyurethane, tophane, NDIIThane, front/rear			Tophane	
	3-2	Tire size, front		in (mm)	5.9 x 2.3 (150 x 76)	
	3-3	Tire size, rear		in (mm)	3.9 x 1.6 (100 x 40)	
	3-5	Wheels, number front/rear (x = driven wheels)			2 / 2	
	3-6	Tread, front	b ₁₀	in (mm)	7.5 (190)	
	3-7	Tread, rear	b ₁₁	in (mm)	16.4 (417)	
	DIMENSIONS	4-2	Height, backrest lowered	h ₁	in (mm)	61.2 (1555)
4-4		Lift	h ₃	in (mm)	16.5 (420)	
4-5		Height, backrest extended	h ₄	in (mm)	77.8 (1975)	
4-9		Height handle in driving position min./max.	h ₁₄	in (mm)	50.96 (1294.5)	
4-15		Height, lowered	h ₁₃	in (mm)	6.1 (155)	
4-19		Overall length	l ₁	in (mm)	49.5 (1258.5)	
4-20		Length to face of forks	l ₂	in (mm)	7.8 (198.5)	
4-21		Overall width	b ₁	in (mm)	22 (559)	
4-22		Fork dimensions	s / e / e ₁ / l	in (mm)	3 / 5 / 41.7 (75 / 126 / 1060)	
4-25		Forks spread	b ₅	in (mm)	21 (533)	
4-32		Ground clearance, center of wheelbase	m ₂	in (mm)	3.2 (80)	
4-33		Load dimension b ₂ × l ₆	b ₂ × l ₆	in (mm)	41.4 x 47.8 / 48 x 40	
4-34-1		Aisle width for one 21in. x 47.8in. pallet	A _{st}	in (mm)	66.95 (1700.7)	
4-35	Turning radius	W _a	in (mm)	36.96 (938.85)		
PERFORMANCE	5-1	Travel speed, laden/unladen		m/h (km/h)	2.5 - 2.5 (4 - 4)	
	5-1-1	Travel speed, laden/unladen, backwards		m/h (km/h)	2.5 - 2.5 (3-3)	
	5-2	Lift speed, laden/unladen		m/s	0.21 / 0.18 (0.064 / 0.055)	
	5-3	Lowering speed, laden/unladen		m/s	0.19 / 0.19 (0.06 / 0.06)	
	5-7	Gradeability, laden/unladen		%	4 / 15	
	5-8	Max. gradeability, laden/unladen		%	4 / 15	
	5-10	Service brake			Electro Magnetic	
	ELECTRIC	6-1	Drive motor S2 60 minute rating		kW	1.2
		6-2	Lift motor, S3 15% rating		kW	2.2kW (S3 5%)
		6-3	Battery according to DIN 43531/35/36 A,B,C, no			no
6-4		Battery voltage/nominal capacity K ₅		V / Ah	24 / 40 ⁽³⁾	
6-5		Battery weight ¹		lb (kg)	26.46 (12)	
6-6		Energy consumption according to DIN EN 16796		kWh/h	0.32	
6-7		Turnover output according to VDI 2198		t/h	21	
6-8		Turnover efficiency according to VDI 2198		t/kWh	41	
DRIVE/LIFT MECHANISM	8-1	Type of drive unit			AC-Controller	
ADDITIONAL	10-7	Sound pressure level at operating position		dB (A)	63.96	

1. These values may vary of +/- 5%.

All values are nominal values and they are subject to tolerances.
 For further information, please contact the manufacturer.
 Hyster products might be subject to change without notice.
 Lift trucks illustrated may feature optional equipment.
 Values may vary with alternative configurations.

FEATURES AND OPTIONS - DW33ALZ PALLET TRUCK


PERFORMANCE	STD	OPT
24 volt	X	
Multifunctional display set for use with lithium-ion battery	X	
Standard construction - operating temperatures +32° to +120°F	X	
Cooler/freezer package - operating temperatures 0°F to +120°F		X
Traction controller 200A	X	
Brake override drive / tow switch		X
DRIVE	STD	OPT
Drive tires - 9 x 2.75 - pressed-on smooth Topthane	X	
3.23" x 1.42" tandem Topthane load wheels with sealed bearings	X	
Caster wheels HD with sealed wheel bearings	X	
HANDLING	STD	OPT
45.67" x 28 x 3.35" (1160mm x 712mm x 85mm min & 190mm max) welded type - heavy duty forks	X	
Without cradle	X	
57" (1448mm) high cradle		X
Load retention strap (only available with cradle option)		X
ERGONOMICS	STD	OPT
Composite control handle with gas spring return	X	
Cast aluminum control handle gas spring return		X
OPERATION	STD	OPT
Key switch start	X	
Keyless toggle start switch		X
Operator password start interlock (keypad)		X
Audible Alarm - 85 dB		X
Multipurpose bar (only available with cradle option)		X
RFID scanner holder (only available with cradle option)		X
LED plastic lens worklights (only available with cradle option)		X
Hyster Tracker™		X
ENERGY SYSTEM	STD	OPT
24V - 40AH lithium-ion battery	X	
110-220V 30 Amp on-board charger with IEC cable	X	
110-220V 13 Amp on-board charger with IEC cable		X
110-220V, 50-60 Hz, 30 Amp external high frequency charger with 6 pin cable		X
Wired plug type B	X	
Sled charging cable	X	
SUPPLEMENTAL	STD	OPT
12 months / unlimited hour manufacturer's warranty, 36 months / 6,000 hours powertrain warranty, lifetime frame warranty	X	
Operating manual	X	
Parts manual		X
UL classification type "E"	X	
English literature package and labels	X	

FEATURES AND OPTIONS - DS12ALZ MOTORIZED SLED

PERFORMANCE	STD	OPT
24 volt	X	
Multifunctional display set for use with lithium-ion battery	X	
Standard construction - operating temperatures +32° to +120° F	X	
Cooler/freezer package - operating temperatures 0°F to +120°F		X
Traction controller 50A	X	
DRIVE	STD	OPT
Caster wheel - 4.0" x 1.6" - Topthane	X	
Load wheel - motorized 5.9" x 3" sealed Topthane	X	
HANDLING	STD	OPT
41.7" x 21" x 4.96" (1060mm x 533mm x 126mm) welded type forks	X	
55.1" (1400mm) load backrest extension	X	
Load retention strap	X	
Pallet 47.75" x 20.7"	X	
Pallet 44.0" x 20.7"		X
OPERATION	STD	OPT
Key switch start	X	
Keyless toggle start switch		X
Steel tube control handle	X	
Storage utility tray		X
ENERGY SYSTEM	STD	OPT
24V - 20AH lithium-ion battery	X	
110V, 50-60 Hz, 30 Amp external high frequency charger with 6 pin cable	X	
110V 13 Amp on-board charger with IEC cable		X
Wired plug type B	X	
SUPPLEMENTAL	STD	OPT
12 months / unlimited hour manufacturer's warranty, 36 months / 6,000 hours powertrain warranty, lifetime frame warranty	X	
Operating manual	X	
Parts manual		X
UL classification type "E"	X	
English literature package and labels	X	



Hyster Company
P.O. Box 7006, Greenville, North Carolina 27835-7006

© 2026 Hyster-Yale Materials Handling, Inc., all rights reserved. Hyster and  are trademarks of Hyster-Yale Materials Handling, Inc. Hyster products are subject to change without notice. Trucks may be shown with optional equipment and/or features not available in all regions.