



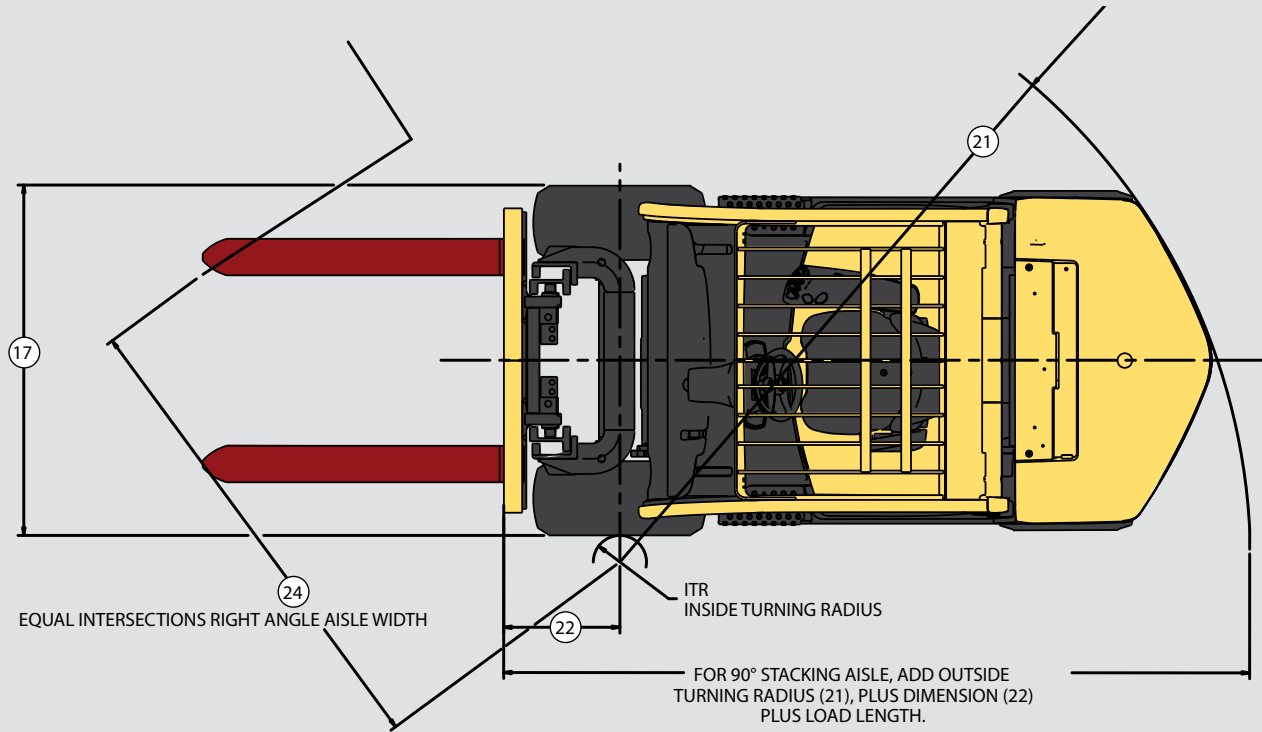
**STRONG PARTNERS.  
TOUGH TRUCKS.™**



## S135-155FT SERIES TECHNICAL GUIDE

[WWW.HYSTER.COM](http://WWW.HYSTER.COM)

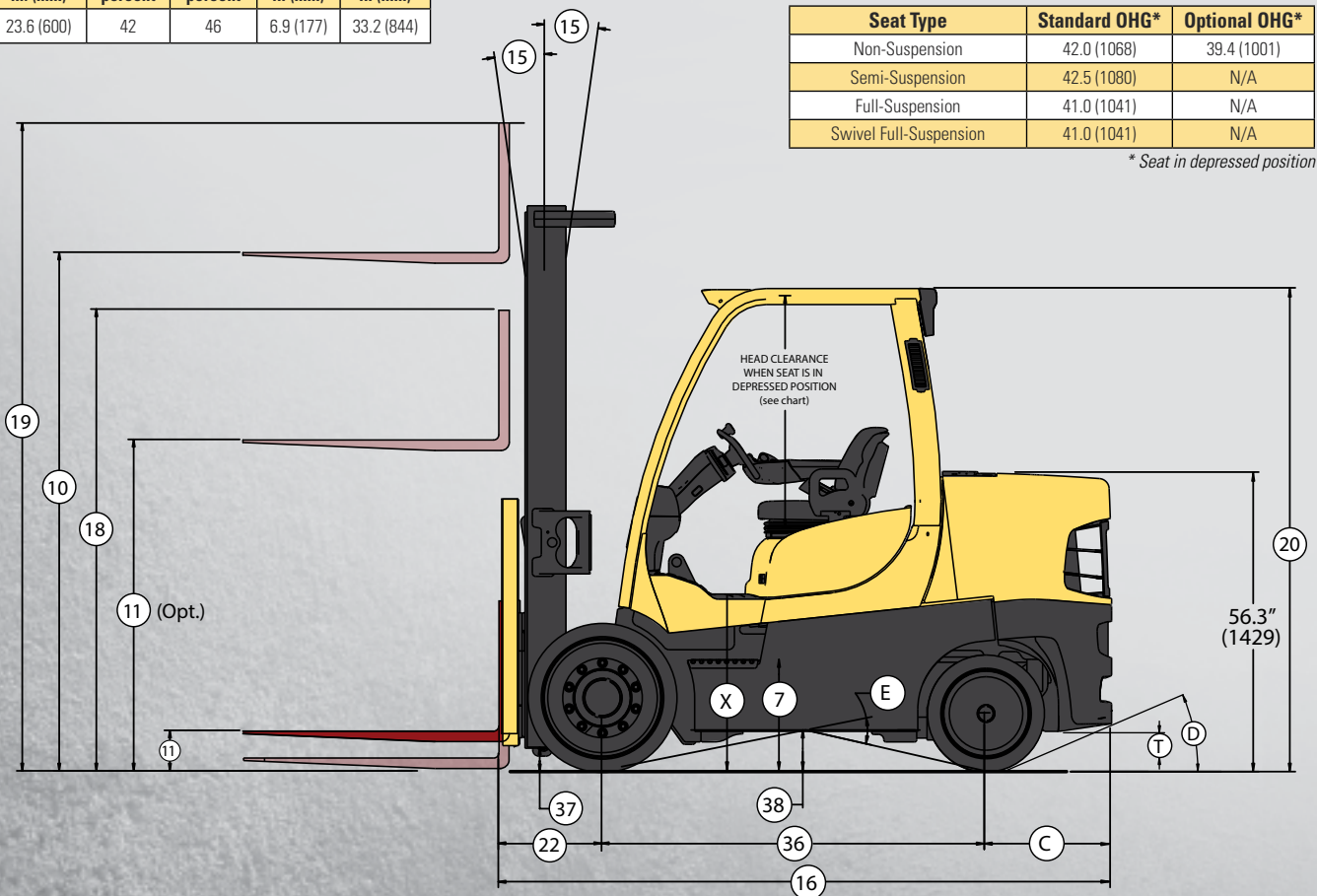
# ➤ S135-155FT DIMENSIONS



C	D	E	T	X
in. (mm)	percent	percent	in. (mm)	in. (mm)
23.6 (600)	42	46	6.9 (177)	33.2 (844)

Seat Type	Standard OHG*	Optional OHG*
Non-Suspension	42.0 (1068)	39.4 (1001)
Semi-Suspension	42.5 (1080)	N/A
Full-Suspension	41.0 (1041)	N/A
Swivel Full-Suspension	41.0 (1041)	N/A

\* Seat in depressed position



Circled dimensions correspond to the line numbers on the tabulated chart inside the Technical Guide. Dimensions are in inches (millimeters).

# S135FT SPECIFICATIONS

		<b>Hyster</b>			
<b>GENERAL</b>	1	Manufacturer Name	S135FT		
	2	Model	S135FT		
	3	Engine	PSI 4.3L V-6	Kubota 3.8L DOC Diesel	
	3	Rated Capacity	lb (kg)	13,500 (6,000)	
	4	Load Center, Distance	in (mm)	24 (610)	
	5	Engine/Power Type - Gasoline, LPG, Diesel	LPG	Diesel	
	6	Operator Type	Seated Rider		
	7	Step Height	in (mm)	20.9 (531)	
	8	Tire Type - Cushion, Solid, Pneumatic	Cushion		
<b>DIMENSIONS</b>	9	Wheels, Number - Front/Rear	2X/2		
	10	Lift Height, Top of Fork (TOF)	in (mm)	133 (3400)	
	11	Lift Heights, Std Limited Free Lift (LFL) with LBR (TOF)	in (mm)	6 (160)	
		Lift Heights, Optional Full Free Lift (FFL) with LBR (TOF)	in (mm)	50 (1295)	
	12	Standard Carriage Width	in (mm)	48 (1219)	
	13	Forks, Thickness x Width x Length	in	6 x 2.5 x 48 (150 x 60 x 1219)	
	14	Fork Spread, Outside Dimensions	in (mm)	43.7 (1109)	
	15	Mast Tilt Angles, Forward/Backward	degrees	6F/10B	
	16	Length to Face of Forks	in (mm)	115.3 (2930)	
	17	Overall Width	in (mm)	56.6 (1438)	
	18	Height, Standard Mast - Lowered	in (mm)	107 (2697)	
	19	Height, Standard Mast - Extended with LBR	in (mm)	183 (4632)	
		Height, Standard Mast - Extended without LBR	in (mm)	181 (4575)	
	20	Height, Standard Overhead Guard (Tall)	in (mm)	91 (2302)	
		Height, Optional Overhead Guard (Short)	in (mm)	88 (2235)	
	<b>PERFORMANCE</b>	21	Turning Radius, Minimum Outside (OTR)	in (mm)	101.8 (2585)
22		Length, Center of Wheels to Face of Forks	in (mm)	19.6 (498)	
23		Aisle Width, Right Angle Stack (Add Length of Load)	in (mm)	121.4 (3083)	
24		Equal Aisle, 90-Degree Intersecting Aisle	in (mm)	91.2 (2317)	
25		Travel Speed, RL/NL	mph (km/h)	12.5 (20.1) / 12.0 (19.4)	12.9 (20.7) / 12.4 (20.0)
25		Travel Speed, RL/NL w/ 3-Speed (Fwd) Transmission	mph (km/h)	13.0 (20.8) / 12.5 (20.1)	13.0 (20.8) / 12.6 (20.2)
26		Lift Speed, Standard 2-Stage LFL RL/NL	ft / min (m/s)	104 (.53) / 106 (.54)	94 (.48) / 96 (.49)
		Lift Speed, Optional 3-Stage FFL RL/NL	ft / min (m/s)	100 (.51) / 102 (.52)	93 (.47) / 93 (.47)
27		Lowering Speed, Standard 2-Stage LFL RL/NL	ft / min (m/s)	114 (.58) / 104 (.53)	
		Lowering Speed, Optional 3-Stage FFL RL/NL	ft / min (m/s)	104 (.53) / 81 (.41)	
<b>WT.</b>		28	Drawbar Pull @ Maximum RL/NL	lb (kg)	10000 (4536) / 4800 (2177)
	29	Drawbar Pull @ Maximum RL/NL w/ 3-Speed (Fwd) Transmission	lb (kg)	10000 (4536) / 4800 (2177)	10000 (4356) / 4821 (2187)
	30	Gradeability @ 1 mph RL/NL	%	31.5 / 24.8	31.8 / 24.8
	29	Gradeability @ 1 mph RL/NL w/ 3-Speed (Fwd) Transmission	%	31.5 / 24.8	31.8 / 24.8
	30	Weight, Standard Truck (2-Stage LFL) NL	lb (kg)	19080 (8655)	19200 (8709)
	31	Weight, Standard Truck (2-Stage LFL) RL	lb (kg)	32580 (14778)	32700 (14832)
	32	Axle Loading, Static Front/Rear NL	lb (kg)	7780 (3529) / 11300 (5126)	7860 (3565) / 11340 (5144)
<b>TIRES &amp; WHEELS</b>	33	Axle Loading, Static Front/Rear RL	lb (kg)	29440 (13354) / 3140 (1424)	29520 (13390) / 3180 (1442)
	34	Tire Size, Front	28 x 12 x 22		
	35	Tire Size, Rear	22 x 12 x 16		
	36	Wheelbase	in (mm)	72.0 (1830)	
	37	Ground Clearance, Lowest Point RL	in (mm)	4.1 (104)	
	38	Ground Clearance, Center of Wheelbase	in (mm)	7.4 (188)	
	39	Service Brake - Method of Control/Operation	Foot / Hydraulic		
	40	Park Brake - Method of Control/Operation	Hand / Mechanical		
<b>POWERTRAIN</b>	41	Battery Type	Maintenance Free		
	42	Volts / Cold Cranking Amps	v / cca	12V/475	12V/900
	43	Engine Manufacturer	PSI LPG		Kubota DOC Turbo Diesel
	44	Permanent Output	hp (kw)	101 (75)	74 (55)
	45	Torque @ Rated RPM	ft lbs (N m)	220 (298) @ 2400 RPM	227 (309) @ 1400 RPM
	46	Number of Cylinders / Displacement	No / cc (ci)	6/4302 (263)	4/3769 (230)
	47	Transmission Type, Standard	Powershift		
	48	Standard Speeds, Forward - Reverse	2-2		
	49	Hydraulic Tank Capacity (Drain and Refill)	gal (liter)	19.8 (74.9)	
	50	Fuel Tank Capacity (Diesel Units Only)	gal (liter)	N/A	17.4 (65.8)
	51	Auxiliary Hydraulic Pressure Relief for Attachments	PSI (Mpa)	2250 (155)	

**CERTIFICATION:** These Hyster lift trucks meet design specifications of Part II ANSI B56.1-1969, as required by OSHA Section 1910.178(a)(2) and also comply with Part III ANSI B56.1-revision in effect at time of manufacture. Certification of compliance with the applicable ANSI standards appears on the lift truck.

† **NOTE:** Performance specifications / ratings are for truck equipped as described under Standard Equipment in this Technical Guide. Performance specifications are affected by the condition of the vehicle and how it is equipped, as well as by the nature and condition of the operating area. Specifications are subject to change and the proposed application should be discussed with your authorized Hyster Company Dealer.

†† Limited by traction. For further information on this dimension, please contact your local Hyster dealer.

# S155FT SPECIFICATIONS

		<b>Hyster</b>	
<b>GENERAL</b>	1	Manufacturer Name	S155FT
	2	Model	S155FT
	3	Engine	PSI 4.3L   Kubota 3.8L DOC Diesel
	3	Rated Capacity	lb (kg) 15,500 (7,000)
	4	Load Center, Distance	in (mm) 24 (610)
	5	Engine/Power Type - Gasoline, LPG, Diesel	LPG   Diesel
	6	Operator Type	Seated Rider
	7	Step Height	in (mm) 20.9 (531)
	8	Tire Type - Cushion, Solid, Pneumatic	Cushion
<b>DIMENSIONS</b>	9	Wheels, Number - Front/Rear	2X/2
	10	Lift Height, Top of Fork (TOF)	in (mm) 133 (3400)
	11	Lift Heights, Std Limited Free Lift (LFL) with LBR (TOF)	in (mm) 6 (160)
		Lift Heights, Optional Full Free Lift (FFL) with LBR (TOF)	in (mm) 50 (1295)
	12	Standard Carriage Width	in (mm) 48 (1219)
	13	Forks, Thickness x Width x Length	in 6 x 2.5 x 48 (150 x 60 x 1219)
	14	Fork Spread, Outside Dimensions	in (mm) 43.7 (1109)
	15	Mast Tilt Angles, Forward/Backward	degrees 6F/10B
	16	Length to Face of Forks	in (mm) 115.3 (2930)
	17	Overall Width	in (mm) 56.6 (1438)
	18	Height, Standard Mast - Lowered	in (mm) 107 (2697)
	19	Height, Standard Mast - Extended with LBR	in (mm) 183 (4632)
		Height, Standard Mast - Extended without LBR	in (mm) 181 (4575)
	20	Height, Standard Overhead Guard (Tall)	in (mm) 91 (2302)
		Height, Optional Overhead Guard (Short)	in (mm) 88 (2235)
	<b>PERFORMANCE</b>	21	Turning Radius, Minimum Outside (OTR)
22		Length, Center of Wheels to Face of Forks	in (mm) 19.6 (498)
23		Aisle Width, Right Angle Stack (Add Length of Load)	in (mm) 121.4 (3083)
24		Equal Aisle, 90-Degree Intersecting Aisle	in (mm) 91.2 (2317)
25		Travel Speed, RL/NL	mph (km/h) 12.5 (20.1) / 12.0 (19.4)   12.9 (20.7) / 12.4 (20.0)
25		Travel Speed, RL/NL w/ 3-Speed (Fwd) Transmission	mph (km/h) 13.0 (20.8) / 12.5 (20.1)   13.0 (20.8) / 12.6 (20.2)
26		Lift Speed, Standard 2-Stage LFL RL/NL	ft / min (m/s) 104 (.53) / 106 (.54)   89 (.45) / 96 (.49)
		Lift Speed, Optional 3-Stage FFL RL/NL	ft / min (m/s) 100 (.51) / 102 (.52)   87 (.44) / 93 (.47)
27		Lowering Speed, Standard 2-Stage LFL RL/NL	ft / min (m/s) 114 (.58) / 104 (.53)
		Lowering Speed, Optional 3-Stage FFL RL/NL	ft / min (m/s) 108 (.55) / 81 (.41)
<b>WT.</b>		28	Drawbar Pull @ Maximum RL/NL
	29	Drawbar Pull @ Maximum RL/NL w/ 3-Speed (Fwd) Transmission	lb (kg) 10000 (4536) / 5069 (2299)   10000 (4536) / 5090 (2309)
	30	Gradeability @ 1 mph RL/NL	% 27.9 / 23.9   28.1 / 23.9
	29	Gradeability @ 1 mph RL/NL w/ 3-Speed (Fwd) Transmission	% 27.9 / 23.9   28.1 / 23.9
	30	Weight, Standard Truck (2-Stage LFL) NL	lb (kg) 20980 (9516)   21100 (9571)
	31	Weight, Standard Truck (2-Stage LFL) RL	lb (kg) 36480 (16547)   36600 (16601)
	32	Axle Loading, Static Front/Rear NL	lb (kg) 8180 (3710) / 12800 (5806)   8260 (3747) / 12840 (5824)
<b>TIRES &amp; WHEELS</b>	33	Axle Loading, Static Front/Rear RL	lb (kg) 33060 (14996) / 3420 (1551)   33140 (15032) / 3460 (1569)
	34	Tire Size, Front	28 x 12 x 22
	35	Tire Size, Rear	22 x 12 x 16
	36	Wheelbase	in (mm) 72.0 (1830)
	37	Ground Clearance, Lowest Point RL	in (mm) 4.1 (104)
	38	Ground Clearance, Center of Wheelbase	in (mm) 7.4 (188)
	39	Service Brake - Method of Control/Operation	Foot / Hydraulic
	40	Park Brake - Method of Control/Operation	Hand / Mechanical
<b>POWERTRAIN</b>	41	Battery Type	Maintenance Free
	42	Volts / Cold Cranking Amps	v / cca 12V/475   12V/900
	43	Engine Manufacturer	PSI LPG   Kubota DOC Turbo Diesel
	44	Permanent Output	hp (kw) 101 (75)   74 (55)
	45	Torque @ Rated RPM	ft lbs (N m) 220 (298) @ 2400 RPM   227 (309) @ 1400 RPM
	46	Number of Cylinders / Displacement	No / cc (ci) 6/4302 (263)   4/3769 (230)
	47	Transmission Type, Standard	Powershift
	48	Standard Speeds, Forward - Reverse	2-2
	49	Hydraulic Tank Capacity (Drain and Refill)	gal (liter) 19.8 (74.9)
	50	Fuel Tank Capacity (Diesel Units Only)	gal (liter) N/A   17.4 (65.8)
	51	Auxiliary Hydraulic Pressure Relief for Attachments	PSI (Mpa) 2250 (155)

**CERTIFICATION:** These Hyster lift trucks meet design specifications of Part II ANSI B56.1-1969, as required by OSHA Section 1910.178(a)(2) and also comply with Part III ANSI B56.1-revision in effect at time of manufacture. Certification of compliance with the applicable ANSI standards appears on the lift truck.

† **NOTE:** Performance specifications / ratings are for truck equipped as described under Standard Equipment in this Technical Guide. Performance specifications are affected by the condition of the vehicle and how it is equipped, as well as by the nature and condition of the operating area. Specifications are subject to change and the proposed application should be discussed with your authorized Hyster Company Dealer.

†† Limited by traction. For further information on this dimension, please contact your local Hyster dealer.

## STANDARD LIFT SPECIFICATIONS


Maximum Fork Height (TOF) †	Overall Lowered Height	Overall Extended Height w/ Load Backrest	Overall Extended Height w/o Load Backrest	Free-Lift (TOF) w/Load Backrest	Free-Lift (TOF) w/o Load Backrest
in (mm)	in (mm)	in (mm)	in (mm)	in (mm)	in (mm)
<b>2-STAGE LIMITED FREE-LIFT (LFL) VISTA™ MAST</b>					
118 (3000)	100 (2540)	172 (4354)	166 (4195)	6 (160)	6 (160)
133 (3400)	108 (2740)	188 (4754)	181 (4595)	6 (160)	6 (160)
173 (4400)	128 (3240)	227 (5754)	221 (5595)	6 (160)	6 (160)
212 (5400)	148 (3740)	266 (6754)	260 (6595)	6 (160)	6 (160)
<b>3-STAGE FULL FREE-LIFT (FFL) VISTA™ MAST</b>					
185 (4700)	102 (2570)	239 (6054)	230 (5830)	47 (1216)	56 (1440)
220 (5600)	113 (2870)	274 (6954)	265 (6730)	59 (1516)	68 (1740)
244 (6200)	123 (3120)	298 (7554)	289 (7330)	69 (1766)	78 (1990)
† Lift heights over 212" (5400 mm) maximum fork height are considered highlifts and require reduced capacity and restricted back tilt.					





Hyster Company  
P.O. Box 7006  
Greenville, North Carolina  
27835-7006  
Part No. S135-155FT/TG  
8/2016 Litho in U.S.A.

Visit us online at [www.hyster.com](http://www.hyster.com) or call us at **1-800-HYSTER-1**.

Hyster, , and STRONG PARTNERS. TOUGH TRUCKS. are registered trademarks in the United States and certain other jurisdictions. Hyster products are subject to change without notice.

All trucks shown with optional equipment. © 2016 Hyster Company. All rights reserved.